

UPRIGHT

BT600 AWC



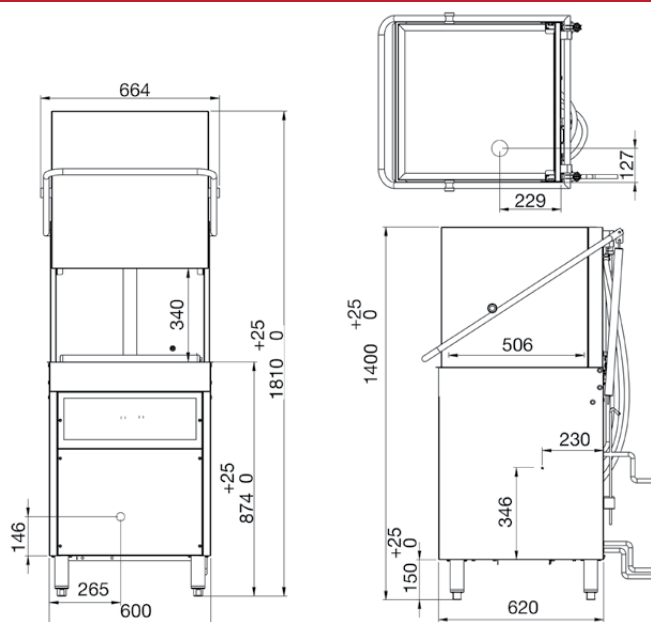
The BT600 Advanced Wash Control model has been designed to be simple and reliable. At only 15 amps of power, this commercial passthrough dishwasher can simply be plugged into the wall.

FEATURES

- **Warranty** – 5 years on the control board, 2 years on parts and labour – 5 years on the entire machine available (conditions apply)
- Ergonomic passthrough dishwasher
- Recirculating wash system
- Cleans up to 600 plates per hour
- Automatic detergent & rinse aid injection
- 60/90/120sec, manual and descale wash cycle options
- Easy to install 15 amps
- Hood safety cut off switch
- Rinse temperature accurately controlled by the thermostop function
- High grade stainless steel welded cabinet, wash arms and scrap trays for durability
- Optional drain pump
- Australian made

INCLUSIONS

- 2 x Plate racks 500mm x 500mm
- 1 x Cup rack 500mm x 500mm
- 1 x Cutlery container
- 1 x Water connection hose
- 2 x Chemical weights & filters
- 1 x Operating manual



TECHNICAL DATA

Height	
Cabinet	1255 mm
Cabinet inc. legs	1405-1435 mm
With hood extended	1812-1842 mm
Usable Wash	340 mm
Width	
Cabinet	600 mm
Inc. handle	680 mm
Depth	
Cabinet	620 mm
Inc. handle	890 mm
Capacities	
Loads/Hour	up to 40*
Water per Cycle	3L*
Wash Pump	720W
Wash Tank Litres	22
Boiler Litres	6
Element (wash)	1700W
Element (boiler)	3000W
Detergent Injection	yes
Rinse Aid Injection	yes
Temperatures	
Wash Degrees C	62 °C
Rinse Degrees C	85 °C
Plumbing	
Drain	32mm Gravity (Drain Pump optional)
Water	½" BSP (hot)
Electrical	
Volts/Hz	240V AC/50Hz
Max. Amp. load	15amps
Note: this machine has load shedding capability	

* Subject to incoming water temperature + pressure

