

## ⚠ WARNING

- Prior to use, read the "Operation Manual" carefully.
- When an audio or visual alarm is generated, read the alarm on the screen, and handle the alarm accordingly.
- Only use specified/preset IV sets.
- If liquid is splashed onto the pump, stop using the pump. Use only after it is checked by qualified engineer.

## ⚠ CAUTION

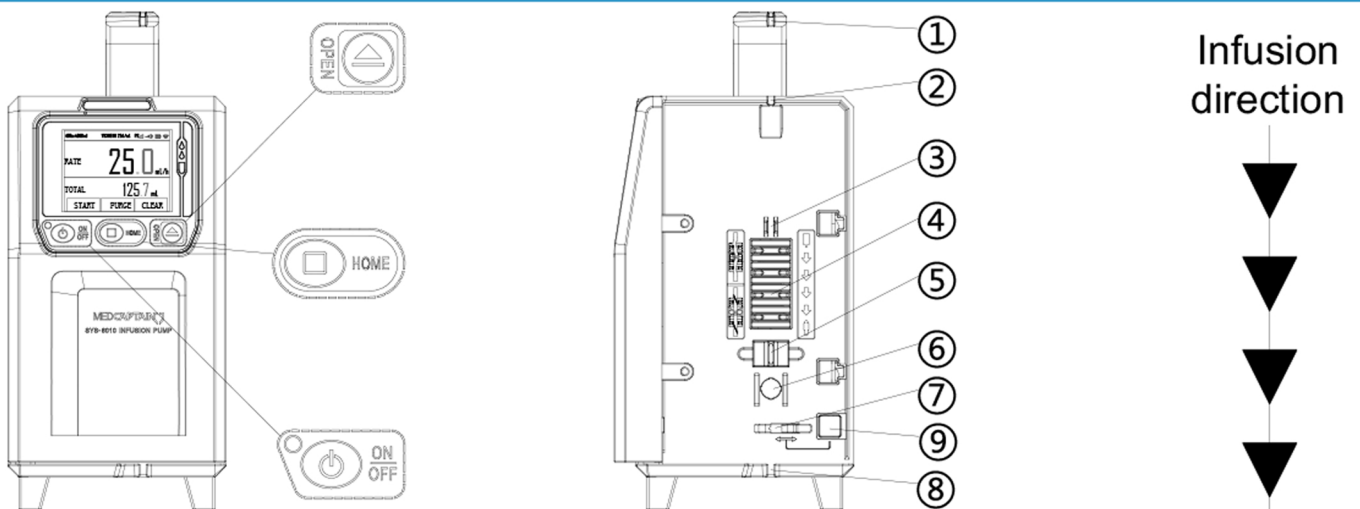
- Do not use alcohol, thinner or organic solvent for cleaning.
- Do not immerse the pump in any liquid or in a humid condition.

## Using the Infusion Pump

1. Press [ON/OFF] Key to turn on device; click [YES] To input patient info., or [NO] to ignore.
2. Press [OPEN] Key to open pump door and load IV set (Warning: Ensure the brand and size of IV set to be used is the same with the one shown on screen).
3. Click on touch screen or press [HOME] key to set flow rate, select IV set brand, etc.
4. Press [HOME] Key to return. And click [PURGE] Key to purge the air (Warning: Disconnect patient when purge the air).
5. Click [START] Key to start infusion; click [STOP] key to stop.
6. Press [ON/OFF] key to turn off device.

## Loading the IV Set

1. Press [OPEN] key to open pump door.
2. Press key marked as ⑨ to open anti-free-flow clamp.
3. Load IV set from top (medical liquid bottle) to bottom (patient). Stretch tubing and insert IV set into tubing slots marked as ①, ②, ③, ④, ⑤, ⑥, ⑦ and ⑧ accordingly.
4. Press key marked as ⑨ to close anti-free-flow clamp.
5. Check that entire IV set is properly loaded.
6. Close pump door gently.



## Alarm and Troubleshooting

When an alarm occurs, click on [SILENCE] to silence the alarm. After troubleshooting, click on [EXIT] and then [START] to continue infusion. Alarm buzzer will beep again if you do not eliminate the middle/high-level alarm within 2 minutes.

| Alarm Symptoms  | Causes   | Troubleshooting  |
|-----------------|--|--|
| No Power Supply | No external AC/DC power supply is connected.   | Immediately connect the AC power supply or the external DC power supply.       |
| No Battery      | The infusion pump has no internal battery or the internal battery operates abnormally.                 | Install the battery.   |
| Low Battery     | The internal battery is running critically low.  | Immediately connect an AC power supply or an external DC power supply.         |
| Near Finished   | The infusion will finish within 3 minutes.   | Wait until the infusion finishes.  |
| OCCL            | 1.The tubing is occluded.<br>2.Low occlusion level has been set during high viscosity medicated fluid. | Click [STOP] to clear the alarm, troubleshoot, and then continue the infusion. |
| Door Open       | Door is open during infusion.  | Click [STOP] to clear the alarm. Check whether the pump door has been closed.  |
| Air Alarm       | Air bubble in the infusion line.   | Click [STOP] to clear the alarm. Check the tubing to release the air bubble.   |
| Finished        | The VTBI or the infusion time set finishes.  | Click [STOP] to clear the alarm.   |
| Reminder Alarm  | Operation forgotten (no operation on any key for 2 minutes after the IV set loaded.                    | Press any key to clear the alarm.  |