

MHN33PN

ENERGY ADVANTAGE™ FRONT-LOAD WASHER

MAYTAG
COMMERCIAL



ADVANCED SPIN TECHNOLOGY

- Delivers more accurate cycle times and better unbalanced performance*.
- A six-point suspension features four dampers and two springs, providing better stability for the entire wash unit.
- An accelerometer provides an accurate reading of cabinet vibration.



DURACORE DRIVE SYSTEM

- Advanced drive system is more reliable.**
- Watertight, flexible triple-lip seal with garter spring keeps moisture away from the shaft, protecting the premium bearings.
- Durable shaft sleeve is designed to eliminate shaft wear.



MICROPROCESSOR CONTROLS

- Delivers powerful Controls allowing customers the option to select the ideal cycle for individual wash needs.



ENERGY-EFFICIENT CLEANING

- Uses on average 40 liters of water per cycle, which helps reduce energy and water costs.
- TurboWash™ System's proven high-efficiency technology delivers energy savings without sacrificing cleaning performance.



*Compared to previous model, MHN30, based on 18-lb load.
**Compared to previous model, MHN30.



REDESIGNED BELLOW



ROBUST HINGE



DURABLE DISPENSER



FRONT ACCESS PANEL



DEPENDABLE
LAUNDRY SOLUTIONS

Visit dependablelaundry.com.au or call 1800 Maytag

OUR COMMITMENT TO DEPENDABLE QUALITY

For well over 50 years, Maytag® Commercial Laundry has promised and delivered dependability. We create that quality by making durable washers and dryers, built to endure heavy use and last for years. We design our machines to perform reliably and to produce consistent results. Finally, we give our washers and dryers the power to do their jobs thoroughly, cleaning and drying laundry quickly and efficiently—and justifying the trust that has been placed in us for generations.

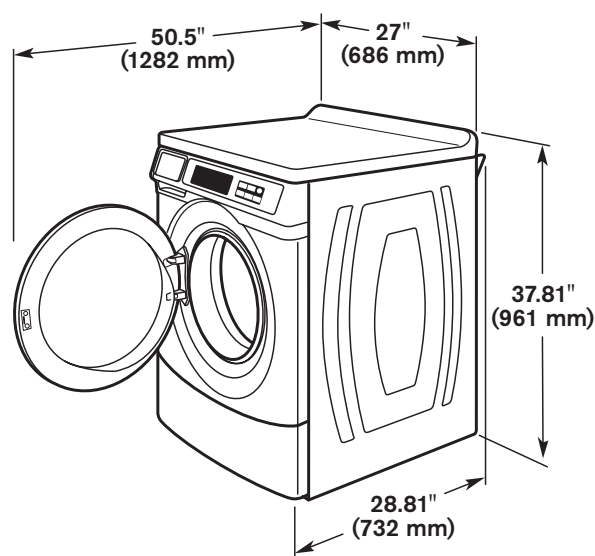
MAYTAG® ENERGY ADVANTAGE™ HE FRONT-LOAD WASHER

WASHER SPECIFICATIONS	
MODEL	MHN33PN
MOTOR	
Variable-speed, reversible, thermoprotected, high-efficiency, controlled induction	Yes
Wash—HP (kw)	.09 (.07)
Extract—HP (kw)	.54 (.40)
Average energy consumption per cycle (kWh)	.054
CAPACITY	
Cylinder volume—liters	88
Cylinder diameter—mm	547
Cylinder depth—mm	341
WATER INLET HOSE	
Ft. (m)	4 (1.22)
DRAIN HOSE	
Ft. (m)	6 (1.83)
APPROXIMATE WATER USAGE—LITERS	
Average hot water usage, hot water cycle	10.26
Average hot water usage, warm water cycle	2.69
Average total water usage per cycle	40.5*
Modified Energy Factor (MEF)	2.45
Water Factor (WF)	3.50
ELECTRICAL RATING	
voltage	220–240V/50Hz
BREAKER/FUSE MIN. REQUIREMENTS	
Model—amps	10
WASH SPEED—RPM	40
EXTRACT SPEED—MAX RPM/MAX G-FORCE	1,000/300
WATER SUPPLY PRESSURE	
Psi (bar)	20–100 (1–8)
SOUND LEVEL (export model only)	
Sound pressure level, Lpa (dbA) (Kpa: ± 3.6 dbA)	58
ADJUSTABLE LEVELING LEGS	Yes
COLOR	White
APPROXIMATE WEIGHT	
Crated—kg	111
Uncrated—kg	107
DIMENSIONS	
Width—mm	686
Depth—mm includes handle	732
Height—mm	961
Door opening diameter—mm	362
ADA-COMPLIANT WITH OPTIONAL PEDESTAL	
Optional pedestal adds: height—mm	250

*Average based on DOE J1 testing with factory preset cycles.

Dimensions are for planning purposes only. See specific instructions for proper installation. Because of continuous product improvement, Maytag reserves the right to change specifications without notice.

MHN33PN ENERGY ADVANTAGE™ FRONT-LOAD WASHER



5-YEAR LIMITED WARRANTY ALL PARTS COVERED

For a period from the date of original purchase through the time listed above, the designated parts that fail in normal commercial use will be repaired or replaced free of charge for the part itself, with the owner paying all other costs, including labor, transportation and customs duty. Chemical damage is excluded from all warranty coverage. See complete warranty for details.



DEPENDABLE LAUNDRY SOLUTIONS

Visit Dependablelaundry.com.au or call 1800 Maytag