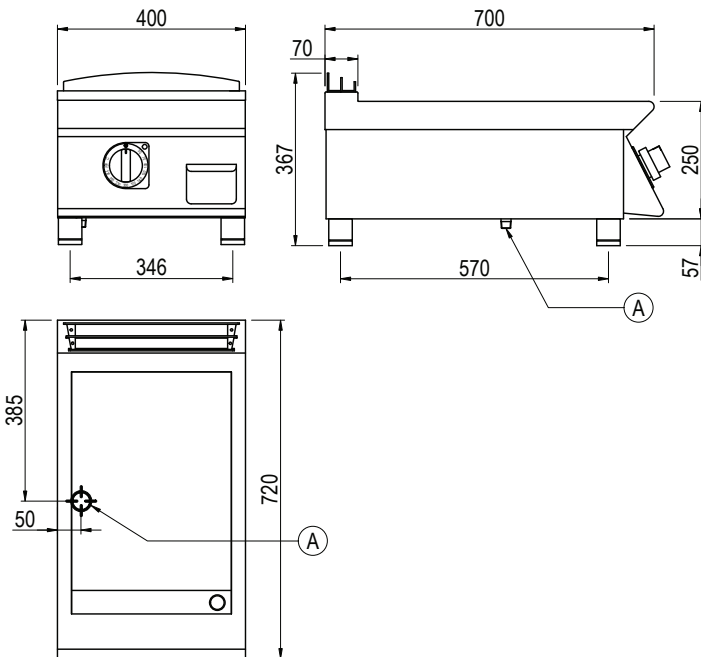




**Product Information:**

- Class leading, European style, professional quality and reliability since 1963
- 700 series, electric frytop with 12mm smooth mild steel plate (6.5kW)  
(also available in 12mm ribbed mild steel plate)
- Heating elements with Hi-limit temperature protection
- Temperature regulation via thermostat (50°C – 300°C)
- Indicator light to monitor the correct operation of the appliance
- Robust 304 grade stainless steel construction with rounded corners for improved cleaning
- Hermetically sealed, pressed work surface with raised edges to protect from overflow
- Removable grease tray
- 24-month warranty

**General Drawing:**



**Specifications:**

Model - Smooth	FLE72TFT
Model - Ribbed	FRE72TFT
W x D x H (mm)	400 x 720 x 367
Weight	50kg
Cooktop (mm)	340 x 460
Packed Dimensions (mm)	450 x 845 x 570
Packed Weight (mm)	55kg
Electrical Connection	3Ø + N + E 415VAC / 50Hz / 6.5kW

**Legend:**

A Electrical Connection

