

BAKER

REFRIGERATION

ENIXE LOUNGE EI250

SERVE OVER MEAT COUNTER



CHILLER



R290



PLUG-IN

FEATURES INCLUDE

- Fan forced refrigeration
- Upward opening front glass
- LED lighting including switch
- Stainless steel interior
- Optional 90° corner
- Black exterior



Scan here to check for Energy Efficiency Rebates in your state.



CRIOCABIN
TASTE PRESERVATION

Product image not to scale.

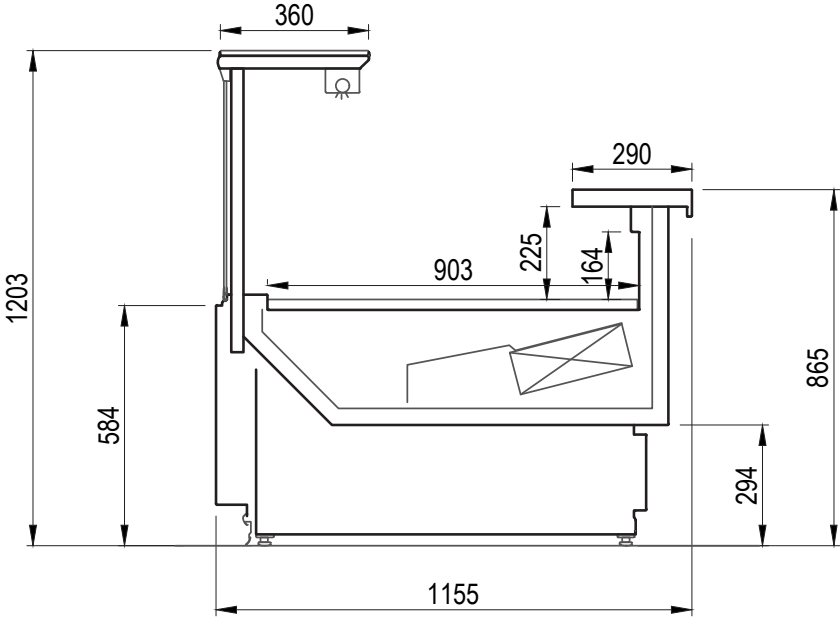
1800 423 626 | ajbaker.com.au | email@ajbaker.com.au

RTA: AU10320



REFRIGERATION

CRIOCABIN ENIXE LOUNGE EI250



ENIXE EI250 LOUNGE - MEAT COUNTER	1875	2500	3125	3750
**OPERATING TEMP (°C)	0 / +2			
REFRIGERATION	Ventilated / R290			
DEFROST	Automatic / Off-cycle			
POWER SUPPLY	230V / 1Ph / 2 x 10 Amp plugs per case			
NOMINAL POWER (W)	960	990	1480	1510
ENERGY CONSUMPTION (kWh/24h)	43	43.3	64.8	66.3
DISPLAY SURFACE (m²)	1.69	2.25	2.81	3.38
LENGTH WITH END WALLS (mm)	1955	2580	3205	3830
ENDWALL THICKNESS (mm)	400	400	400	400
HEIGHT WITHOUT CASTORS (mm)	1200	1200	1200	1200
HEIGHT WITH CASTORS (mm)	1260	1260	1260	1260
DEPTH WITH BUMPER (mm)	1222	1222	1222	1222
WEIGHT WITHOUT PACKAGING (kg)	220	260	340	410

** Climate class 3 (25 °C, 60% R/H) | * Ex-factory item | Supplied with a larger evaporator & without refrigerated storage

