

Value IP Series Network Camera

EZN1250-S & EZN1240-S, H265, IR, WDR

Quick Installation Guide



EZN1240-S



EZN1250-S



Copyright © EverFocus Electronics Corp.

Release Date: March, 2020

All the images including product pictures or screen shots in this document are for example only. The images may vary depending on the product and software version. Information contained in this document is subject to change without notice.

EverFocus Taiwan:

2F., No.12, Ln. 270, Sec. 3, Beishen Rd., Shenkeng Dist., New Taipei City 222, Taiwan
TEL: +886 2 2662 2338 FAX: +886 2 2662 3632 www.everfocus.com.tw

1. Physical Description

EZN1240-S



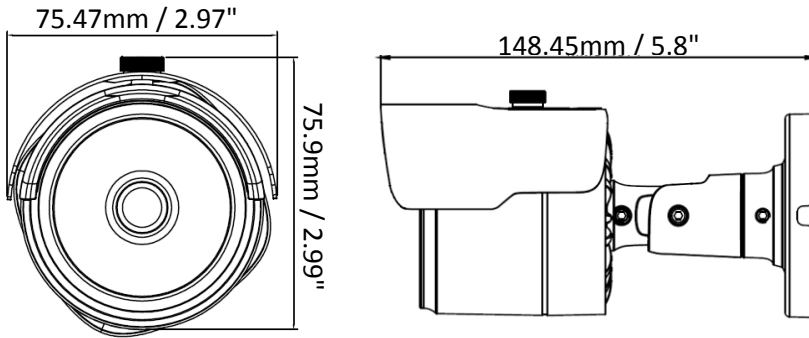
EZN1250-S



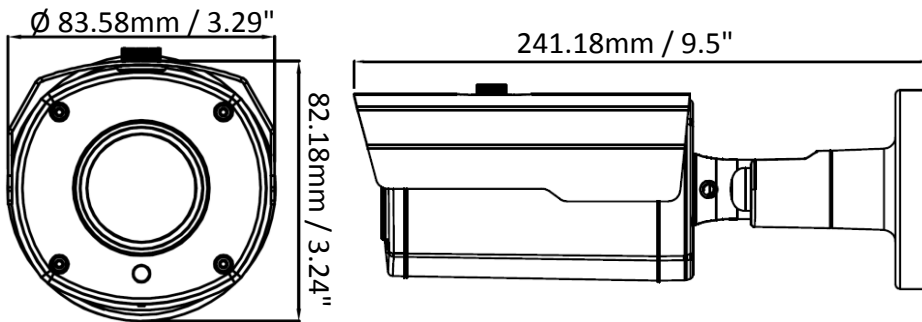
No.	Item Name	Descriptions
1	Rotate Screw	Loosen the Rotate Screws (on both side) to adjust the rotating angle.
2	Tilt Screw	Loosen the Tilt Screw to adjust the tilting angle.
3	Pan Screw	Loosen the Pan Screw to adjust the angle.
4	Micro SD Card Slot	This function is not provided.
5	Sunshield	Protect the camera from the direct fun rays.

Dimensions

EZN1240-S



EZN1250-S



Packing List

Please check that there is no missing items in the package before installing.

EZN Series

1. **Camera x 1**
2. **MAC Address Sticker x 2**
3. **Cable Gland Kit x 1**
4. **Screw x 3**
5. **Screw Anchor x 3**
6. **Hexagon Wrench x 1**
7. **Quick Installation Guide x 1**
8. **Installation Sticker x 1**

Note:

1. Equipment configurations and supplied accessories vary by country. Please consult your local EverFocus office or agents for more information. Please also keep the shipping carton for possible future use.
2. Contact the shipper if any items appear to have been damaged in the shipping process.

Optional Accessory

You can go to the product page on EverFocus' website to check the related optional accessories. www.everfocus.com.tw

2. Cables

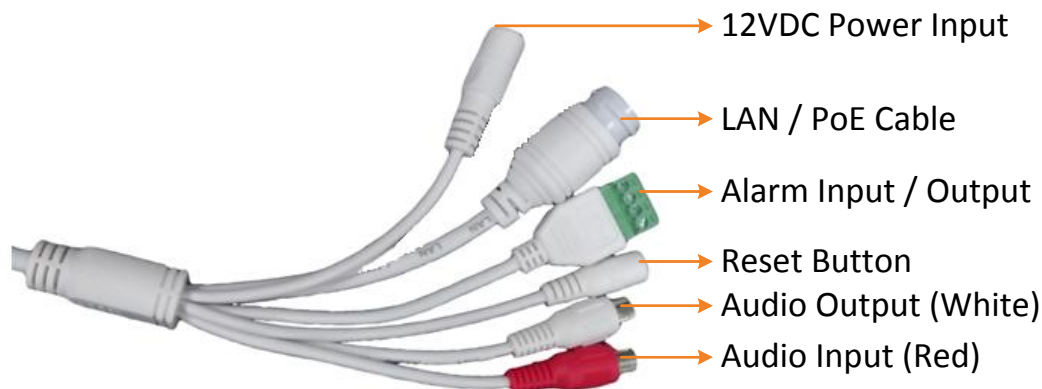
The cables provide connections for network, power, audio input / output and alarm input / output. A Reset Button Cable is also provided. Please be noted that microphones / speakers with a (built-in) amplifier and external power supply are required.

Note: To activate Audio function, the **Audio** function must be enabled. Please refer to *5.5.2 Video Streaming* in the User's Manual.

EZN 1240-S



EZN 1250-S



Alarm IO PIN Assignment

Note that this function just for EZN1250-S.



- 1 Alarm In
- 2 GND
- 3 COM
- 4 Alarm Out

Reset Button

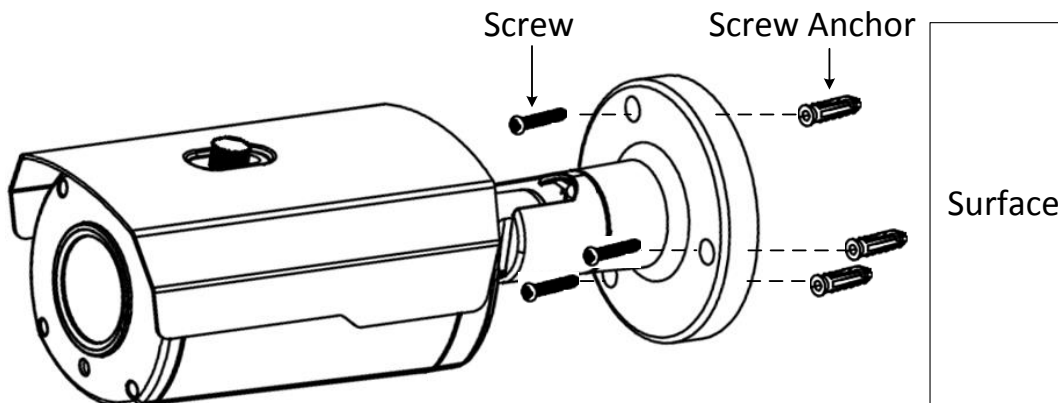
Note that this function just for EZN1250-S.

The **Reset Button** can be used to restore the camera to factory default. When the camera is powered up, press the **Reset Button** about 8 seconds to reboot the camera.

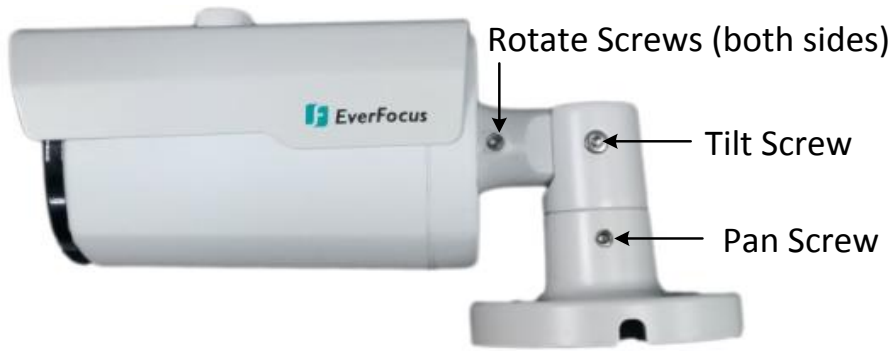
3. Installation

3.1 EZN Series

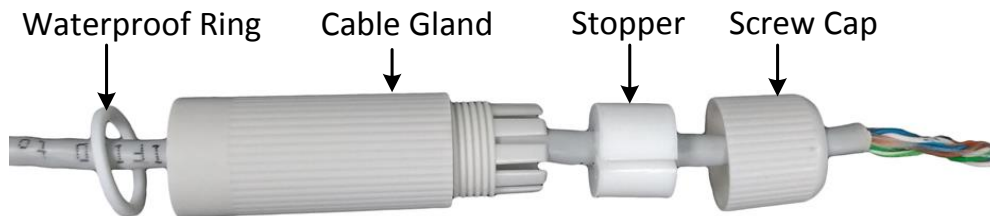
1. Drill three holes on the surface according to the screw positions on the Camera Base. Push the supplied 3 **Screw Anchors** into the holes. Drill another hole in the middle within the 3 screw holes if you wish to run the wires into the surface. Screw the camera to surface using the supplied 3 **Screws**.



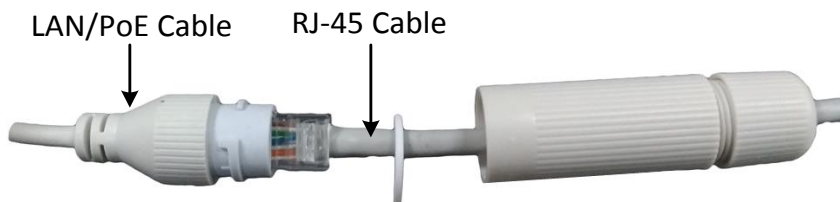
2. Adjust the pan/tilt/rotate angles of the camera by loosen the Pan/Tilt/Rotate screws using the supplied **Hexagon Wrench**.



3. Connect the camera to power. You can either connect the camera to a 12VDC power source or to a PoE switch using the PoE cable.
4. Connect the camera to the network using the supplied **Cable Gland Kit**.
 - a. Insert a RJ-45 network cable (without the RJ-45 connector on the one end) through the supplied **Waterproof Ring, Cable Gland, Stopper** and **Screw Cap** accordingly.



- b. Connect the RJ-45 cable to the **LAN/PoE Cable** of the camera.



- c. Tightly screw the **Cable Gland** and **Screw Cap** to the Rugged RJ-45 Connector Cable.



- d. Crimp the RJ-45 connector onto the RJ-45 network cable. Note that the wires should be placed into the RJ-45 connector based on the following order (from left to right).

Orange with white stripe
Orange
Green with white stripe
Blue
Blue with white stripe
Green
Brown with white stripe
Brown



5. Now you can access the camera live view. See 4. *Accessing the Camera.*

4. Accessing the Camera

You can look up the IP address of the IP camera using the **IP Utility (IPU)** program, which is included in the software CD.

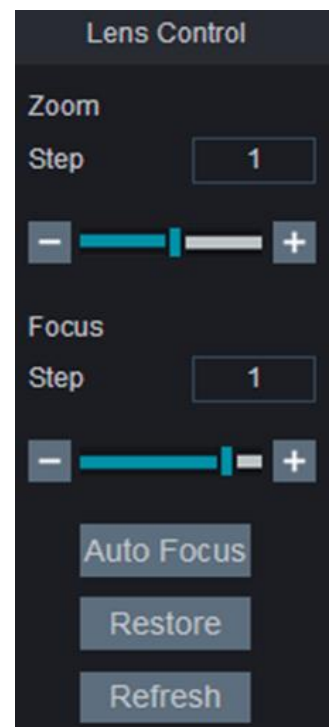
The default network is DHCP. However, if there is no dynamic IP address assigned to the device, its IP will switch to 192.168.0.10. By default, the ID is **admin** and there is no password. Please input a password for the first-time login.

5. Important Note for Motorized Lens Models

Note that this function just for EZN1250-S.

For motorized lens models, if you find the live image out of focus, please try the instructions below:

1. Go to the Live page and open the **Lens Control** panel (see image on the right).
2. Click the **Restore** button for the lens to restore to the default position, and then click the **Auto Focus** button.
3. If the image is still out of focus, adjust the focus by clicking the Focus “+” or “-” buttons.



P/N: 4605Z125002003B