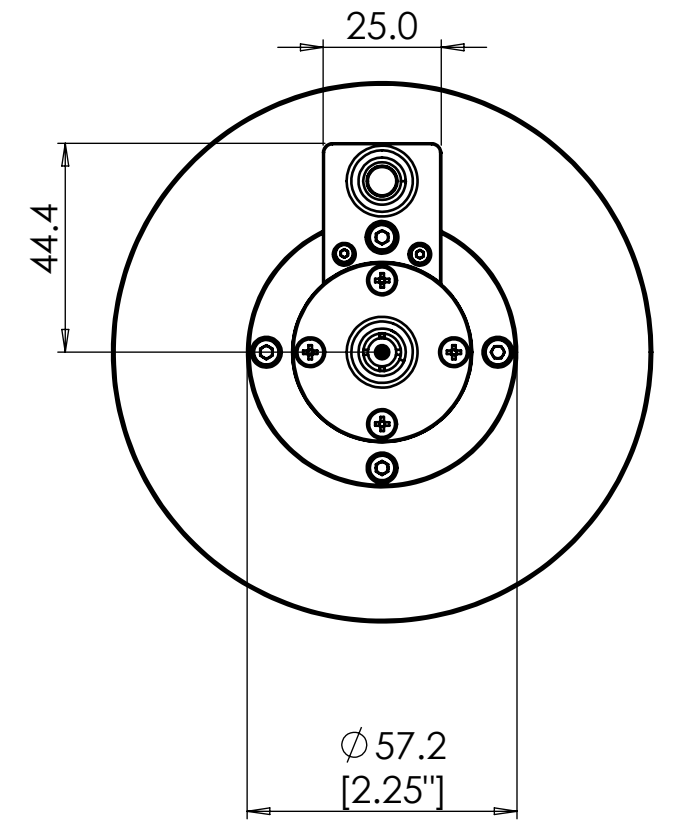
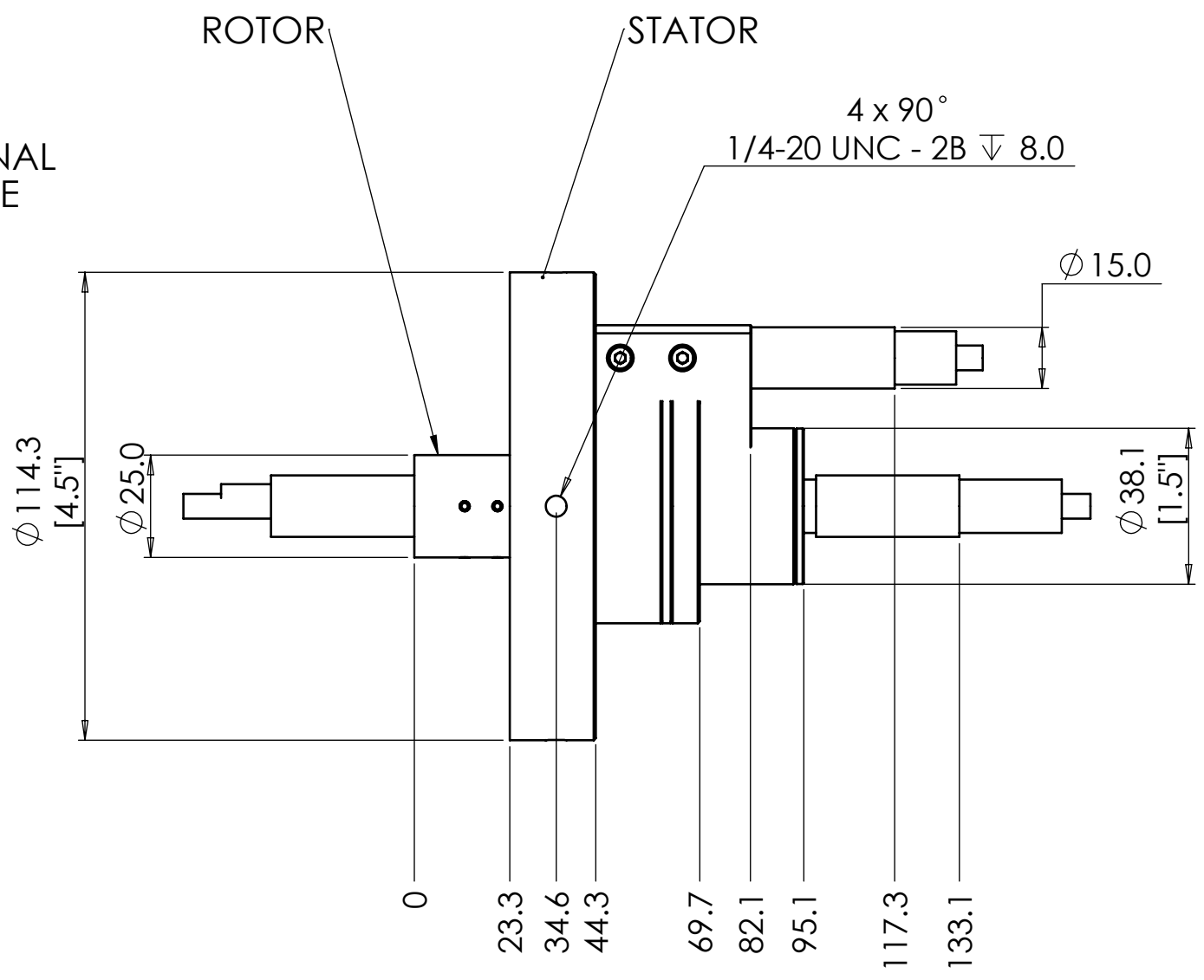
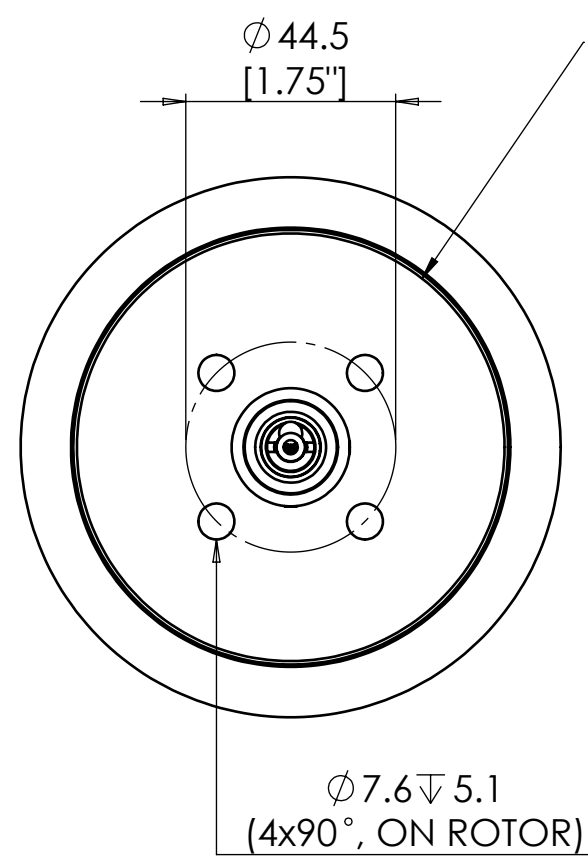


8 7 6 5 4 3 2 1

D
C
B
A

D
C
B
A



Rotary Joint with high load capacity
 1. Model : SRP90-02-MJX-155-28-ST
 2. 600-1000 V, 2 A, 20 AWGx0.5 m

PROPRIETARY AND CONFIDENTIAL
 THE INFORMATION CONTAINED IN THIS DRAWING IS THE SOLE PROPERTY OF PRINCETEL, INC. ANY REPRODUCTION IN PART OR AS A WHOLE WITHOUT THE WRITTEN PERMISSION OF PRINCETEL, INC. IS PROHIBITED.

UNLESS OTHERWISE SPECIFIED:
 DIMENSIONS ARE IN mm
 TOLERANCES:
 ANGULAR: $\pm 1/2^\circ$
 TWO PLACE DECIMAL ± 0.100
 THREE PLACE DECIMAL ± 0.050
 FOUR PLACE DECIMAL ± 0.025
 MATERIAL: 303 S.S.

	DATE	NAME	PRINCETEL, INC.	
DRAWN	12/22/2009	R. Z.	TITLE:	
CHECKED		B. Z.	SRP90-02-MJX-155-28-ST	
ENG APPR.			SIZE	DWG. NO.
MFG APPR.			B	2311-90-02
Q.A.			REV	1.92
Type of Projection:			PART NO.	
Third Angle			SHEET 1 OF 1	

8 7 6 5 4 3 2 1