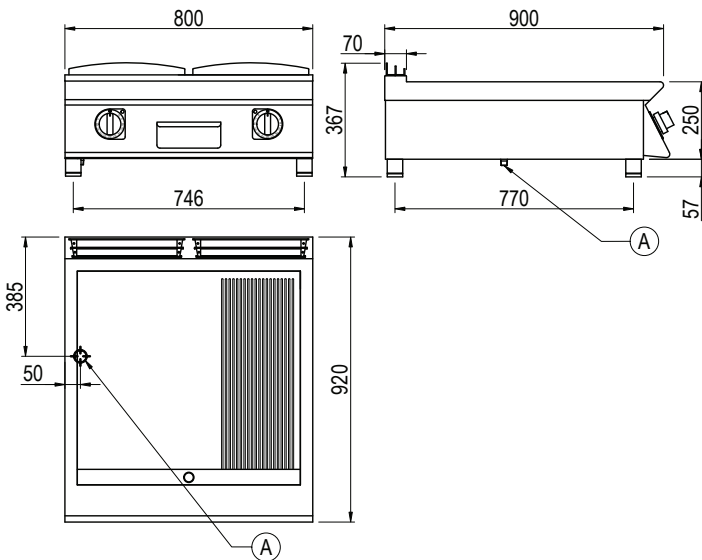




**Product Information:**

- Class leading, European style, professional quality and reliability since 1963
- 900 series, electric frytop with 2/3 smooth and 1/3 ribbed 15mm satin chrome plate (17.2kW)
- Satin chrome plate delivers a cost effective, highly durable, faster heating and easier cleaning solution than alternative plates
- Heating elements with Hi-limit temperature protection
- Temperature regulation via thermostat (50°C – 300°C)
- Indicator lights to monitor the correct operation of the appliance
- Robust 304 grade stainless steel construction with rounded corners for improved cleaning
- Hermetically sealed, pressed work surface with raised edges to protect from overflow
- Removable grease tray
- 24-month warranty

**General Drawing:**



**Specifications:**

<b>Model</b>	FME941TCRXT
<b>W x D x H (mm)</b>	800 x 920 x 367
<b>Weight</b>	140kg
<b>Cooktop (mm)</b>	720 x 640
<b>Packed Dimensions (mm)</b>	845 x 1025 x 570
<b>Packed Weight (mm)</b>	152kg
<b>Electrical Connection</b>	3Ø + N + E 415VAC / 50Hz / 17.2kW

**Legend:**

A Electrical Connection

