

NEW AND
IMPROVED!



Atomscope HF200AC Gen-2 Portable X-Ray Unit

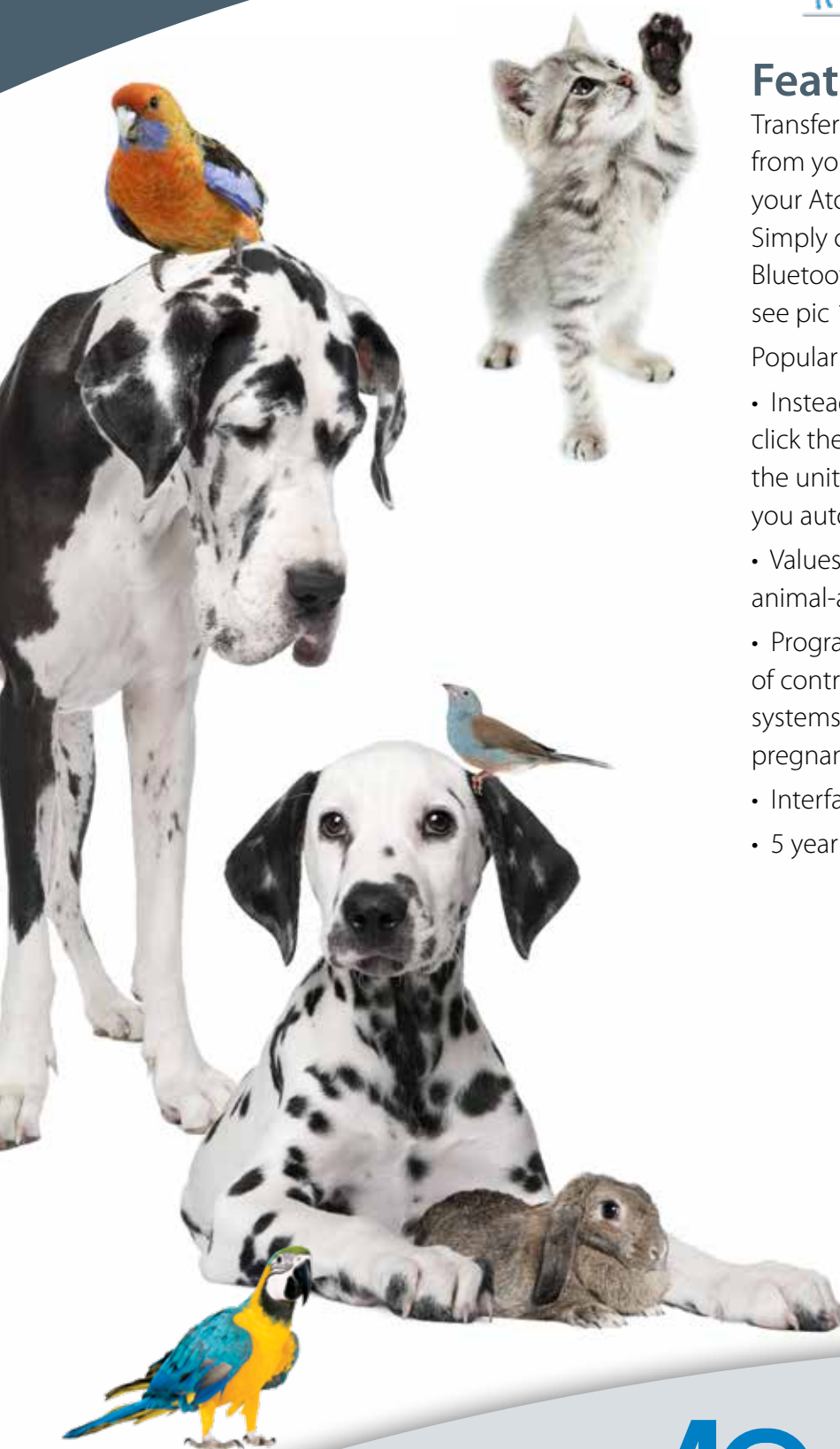


Features

Transfer Indications of kV, mA and mAs directly from your PC with Vet Image Suite Software to your Atomscope HF200AC Gen-2 X-Ray Unit. Simply connect your PC and X-Ray unit via Bluetooth (connection via cable is also available, see pic 1 on next page).

Popular unit with anatomical programming.

- Instead of referring to your exposure guide, just click the animal type, size and area of interest and the unit will set the correct exposure factors for you automatically
- Values for dog, cat, bird, and small domestic animal-all settings can be adjusted manually
- Programmed settings for projection, use of contrast medium, all major film sensitivity systems, radiograph with or without grid, and pregnancy all settings can be adjusted manually
- Interface connector for DR system
- 5 year warranty



For further information call
1300 785 405
Email: sales@dlc.com.au
www.dlc.com.au



ATOMSCOPE HF200AC GEN-2 PORTABLE X-RAY UNIT

Best-selling model for the small animal market. Equipped with anatomical programming.

The Atomscope HF200AC Gen-2 X-Ray Unit is easy to operate with over 1200 anatomical programmed values for dogs, cats, birds and small animals. The program settings include; body part thickness, body part density, FFD range, pregnancy, and radiography with or without an X-ray grid. All settings can be adjusted manually on the x-ray unit or directly from Vet Image Suite Software on your PC. Programs can be adapted to all major types of film speed.

HF200A Gen2	
Max. Output Power	2.5 kW
Output	40-25 mA @ 30-100 kV
mAs range	0.6-80 mAs
AC Input	AC single phase 230 V (50/60 Hz)
Focal Spot	1.2 mm
Total Filtration	2.7 mm Al equivalent
Memory Storage	Anatomical program
Laser Pointer	Dual Laser (optional)
Collimator	LED
Size	290 x 230 x 400 mm (WxHxL)
Weight	16.2 kgs
Recommended for:	Small animal



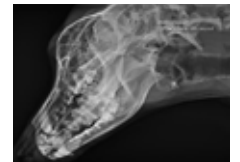
PC with Vet Image Suite



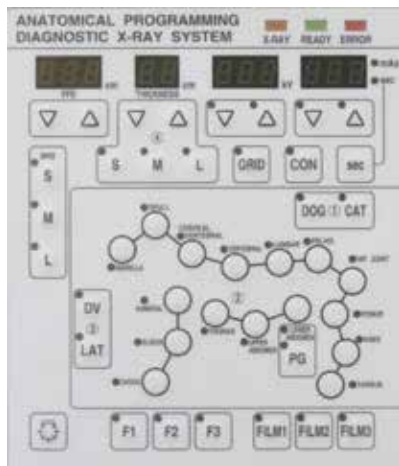
Transfer Indications of kV, mA and mAs directly from your PC with Vet Image Suite software directly to your Atomscope HF200AC Gen-2 X-Ray Unit.

Simply connect your PC and X-Ray unit via Bluetooth (connection via cable is also available, see pic 1).

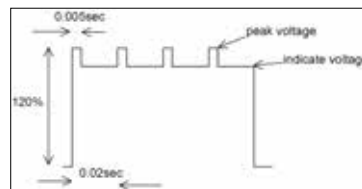
1. Connect via Bluetooth
2. Choose body part on PC
3. kV, mAs and mA will be indicated
4. HF200AC will indicate the same kV, mAs and mA
5. Take your x-ray



*Specifications are subject to change without notice.



The waveform of tube voltage:



- 330003AC2ATOMSCOPE HF200A Gen2 Portable X-Ray Unit with Communications
- 330031X-Ray Handswitch with Cable (Included)
- 330026X-Ray Collimator Globe (Included)



For further information please call:

SOUTHERN OFFICE:

PO Box 4438,
17-19 Horne St,
Hoppers Crossing, VIC, 3029

Phone: 03 9360 9700
Fax: 03 9360 9994
Toll Free: 1300 785 405
Sales: sales@dlc.com.au

NORTHERN OFFICE:

PO Box 833,
Unit 6/1 Lear-Jet Dr,
Caboolture, QLD, 4510

Support: 1300 785 401
Email: support@dlc.com.au

www.dlc.com.au

