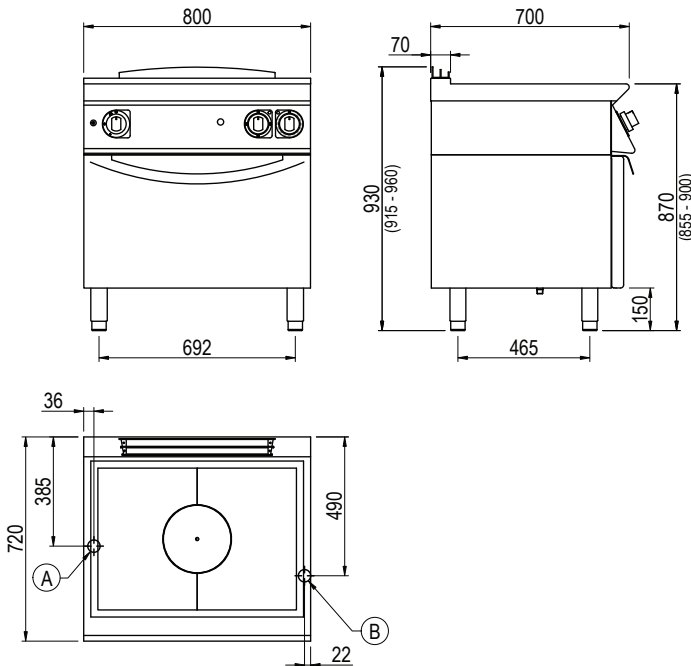




Product Information:

- Class leading, European style, professional quality and reliability since 1963
- 700 series, ultra-thick, reinforced radiant plate with central cut-out and high-power circular steel burner (43.2 MJ/h) and standard electric 2/1GN oven (6.7kW)
- Solid top with piezo ignition circular burner, flame failure device and pilot burner capable of reaching 500°C at the centre of the plate and 200°C around the edges
- Solid top temperature regulation via variable power flame control
- Electric oven with thermostat temperature control (50°C – 300°C). Top and bottom elements can be independently regulated via 4 position selector.
- Robust 304 grade stainless steel construction with rounded corners and moulded inner door for improved cleaning
- Height adjustable stainless steel feet for a 900mm working height
- 24-month warranty

General Drawing:



Specifications:

Model	TG740ET	
W x D x H (mm)	800 x 720 x 930	
Weight	130kg	
Plate Dimensions (mm)	700 x 500	
Oven Cavity (mm)	693 x 580 x 300	
Packed Dimensions (mm)	845 x 825 x 1200	
Packed Weight (mm)	140kg	
Electrical Connection	3Ø + N + E 415VAC / 50Hz / 6.7kW	
Gas Connection	Natural	Universal LPG
Minimum Normal Test Gas Pressure	1/2" BSP 1.3 kPa	1/2" BSP 2.75 kPa
Maximum Normal Test Gas Pressure	3.5 kPa	3.5 kPa
Nominal Test Point Pressure	1.0 kPa	2.65 kPa
Total Nominal Gas Consumption	43.2 MJ/h	43.2 MJ/h

Note: It is the responsibility of the installing gas plumber to ensure correct supply and connection sustaining appropriate pressure, when all installed gas appliances are operating at maximum.

Legend:

- A Gas Connection
- B Electrical Connection