

LMS075 - FLOODLIGHT STANCHION SYSTEM



Ideal for lighting areas below walkways, stairways or platforms, the LMS075 Flood Mount Pole is available in a variety of mounting configurations to enable mounting off either 40NB Pipe stanchions, angle iron stanchions, building support columns or similar. The multi position head enables lighting and equipment to be easily accessed and rotated into a safe area for maintenance.

TECHNICAL SPECIFICATIONS

Mount: 40NB (48.3mm approx OD) Pipe Handrail Stanchion (U-Bolt to Stanchion), 65 x 65 Angle Iron Stanchion (Bolt to Stanchion) or Column

**40NB Pipe Stanchion Mount option shown*

- ✓ Hot Dipped Gal (HDG) Finish or 316 Stainless Steel
- ✓ Structurally designed in accordance with AS4100-2020
- ✓ Wind Loads assessed in Accordance with AS/NZS1170.2-2011
- ✓ Suitable wind regions ABCD
- ✓ Recommended maximum light fitting weight up to 15kg*

** Recommended maximum installed equipment weight refers to recommended limits for ease of operation, not the items structural/engineered capacity and includes any equipment and associated mounting bracket.*

FEATURES & BENEFITS

ONE PERSON OPERATION

Simple one person operation to rotate head

MULTI POSITION HEAD

Vary light orientation & head rotation for safe maintenance

EASY RELEASE

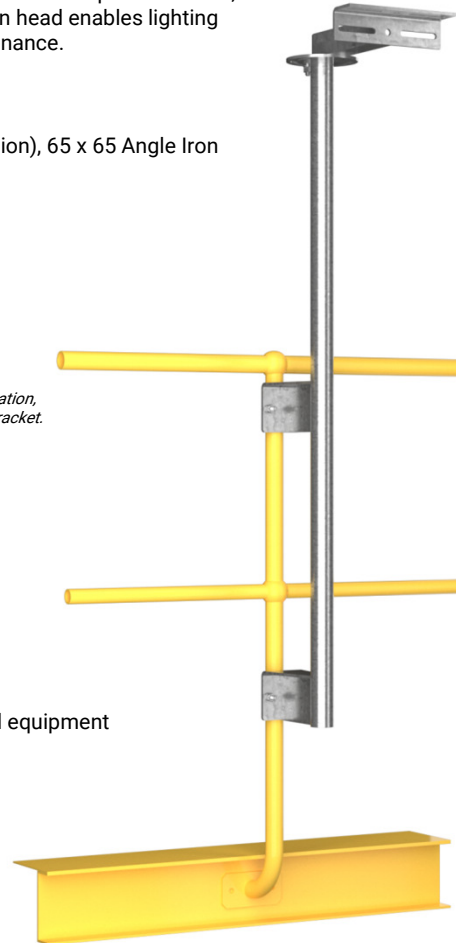
Untightening of one M12 nut allows head rotation and access to lighting and equipment

NO SPECIALISED EQUIPMENT NEEDED

Eliminates the use of specialised access equipment for maintenance

CUSTOMISABLE

Available with alternate head configurations and mounting arrangements to suit your site installation and lighting requirements

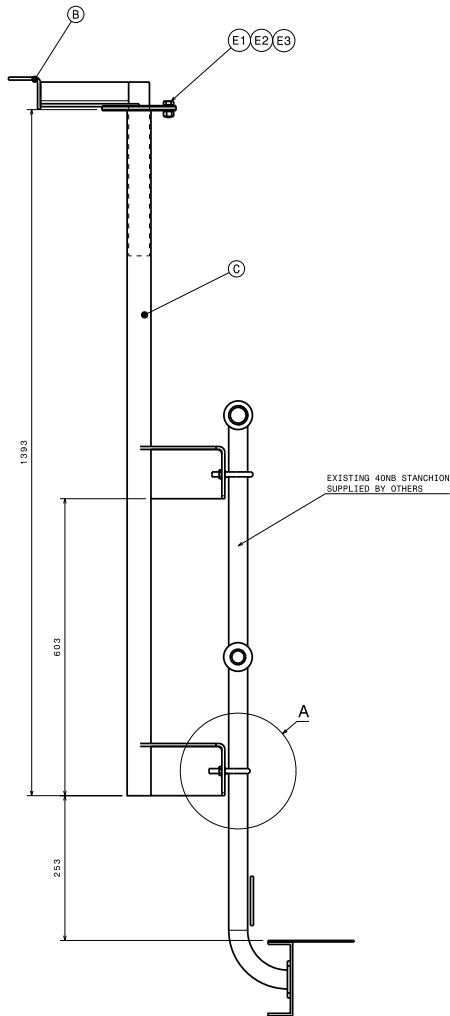


**Australian Made Lighting Poles & Accessories for accessible
Lighting Installations & Maintenance**

www.lightmountingsystems.com.au sales@lmsau.com 61 2 4932 9000



LMS075 - FLOODLIGHT STANCHION SYSTEM



**Australian Made Lighting Poles & Accessories for accessible
Lighting Installations & Maintenance**

www.lightmountingsystems.com.au sales@lmsau.com 61 2 4932 9000

