

# W10L100-PCH2-POE

## 10.1" PoE Chassis Display



### KEY FEATURES

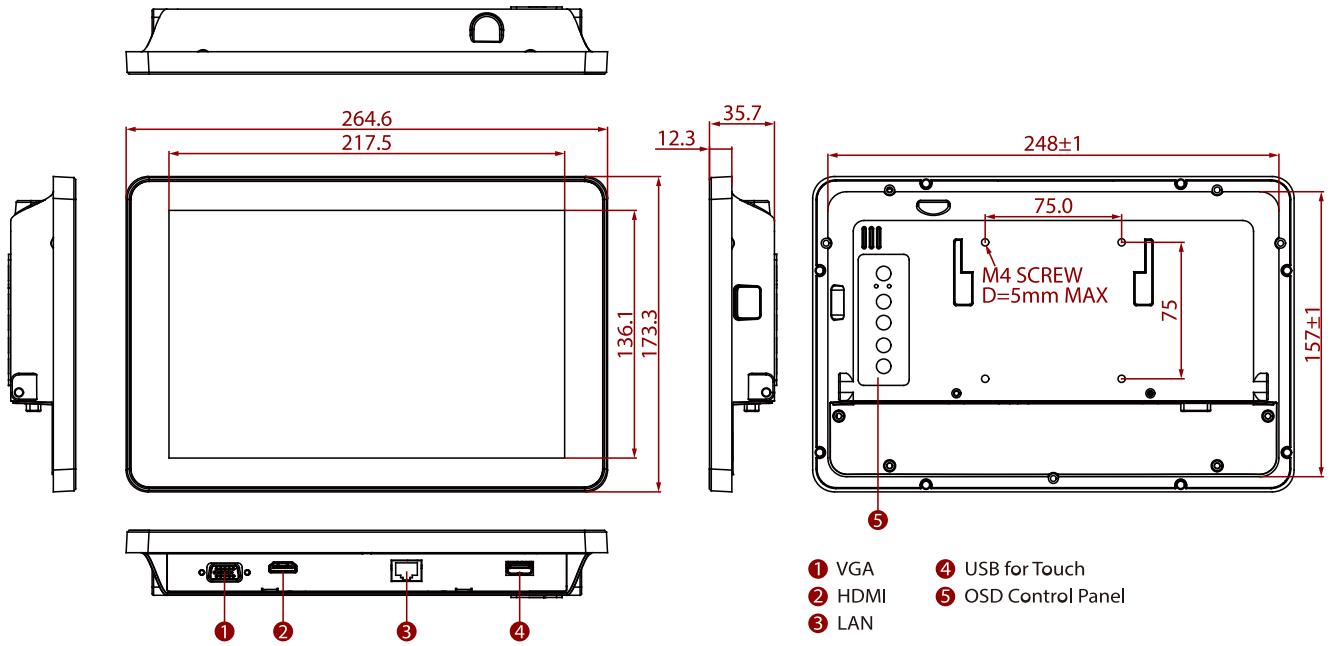
- 10.1" 1280 x 800 Resolution PoE Chassis Display
- Projected Capacitive Multi-Touch (P-Cap)
- VGA input and HDMI input
- USB port for touch
- Stylish and elegant design
- Supports PoE
- Front IP65



### SPECIFICATIONS

Display	
<b>Resolution</b>	1280x800
<b>Contrast Ratio</b>	800:1
<b>Display Color</b>	16.7M Colors
<b>Touch / Glass</b>	Projected Capacitive Multi Touch Screen Protection Glass (Optional) Anti-glare Coating (Optional)
<b>Size</b>	10.1 inches
<b>Panel Brightness</b>	350 nits
<b>View Angles</b>	85,85,85,85
Environment	
<b>Operating Humidity</b>	10% to 90% (non-condensing)
<b>Storage Temperature</b>	-10~60°C
<b>Operating Temperature</b>	0~50°C
Certification	
<b>Certification</b>	CE, FCC
IO Ports	
<b>USB Port</b>	1 x USB for Touch Screen
<b>Audio</b>	1 x Speaker (Optional)
<b>Video</b>	1 x VGA 1 x HDMI (Optional)
<b>LAN</b>	1 x PoE for Power Input
Mechanical	
<b>Dimension</b>	264.57 x 173.29 x 35.7 mm
<b>Enclosure</b>	Aluminum
<b>Mounting</b>	VESA Mount/ Panel Mount
<b>Cooling System</b>	Fanless Design
Accessory	
<b>Accessory</b>	1 x USB Cable for Touch 1 x VGA Cable 1 x HDMI Cable
Power	
<b>POE</b>	Power Device (PD) follows IEEE 802.3at (25 W), IEEE 802.3af (15 W)
Control	
<b>Button</b>	5 Keys: -, +, Power, Esc, Enter

## DIMENSIONS UNIT:MM



## NOTE

1. This is a simplified drawing and some components are not marked in detail.
2. Please contact our sales representative if you need further product information.
3. All specifications are subject to change without prior notice.
4. The product shown in this datasheet is a standard model. For diagrams that contain customized or optional I/O, please contact the Winmate Sales Team for more information.