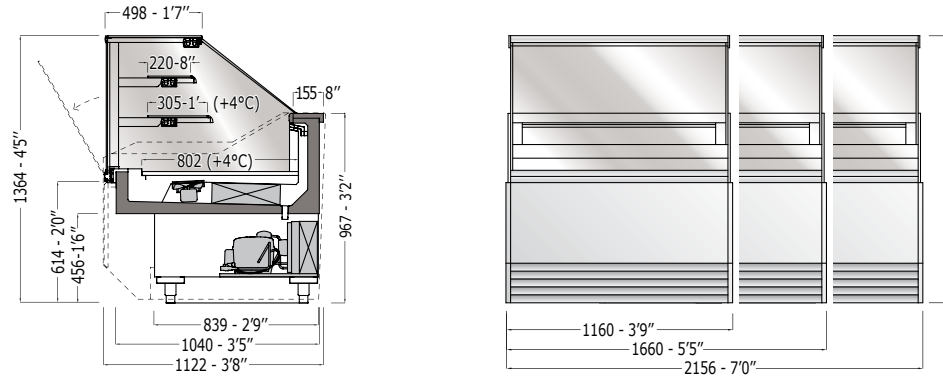


SECTIONS AND MODELS



VERTIGO 2 - PASTRY

TECHNICAL FEATURE		VERSIONS				
		1110	1610	2106	30° Open Corner	30° Closed Corner
External dimensions (L-D-H)	mm	1160-1122-1364	1660-1122-1364	2156-1122-1364	1574-1122-1364	1574-1122-1364
Crated dimensions (L-D-H)	mm	1320-1320-1620	1820-1320-1620	2320-1320-1620	1800-1320-1620	1800-1320-1620
Refrigeration	Type	Fan Ventilated	Fan Ventilated	Fan Ventilated	Fan Ventilated	Fan Ventilated
Refrigerated display area	Type	Deck / Shelves	Deck / Shelves	Deck / Shelves	Deck / Shelves	Deck / Shelves
Operating temperature	°C / °F	+4 / 39.2	+4 / 39.2	+4 / 39.2	+4 / 39.2	+4 / 39.2
Compressor	no. / Type	1 / hermetic	1 / hermetic	1 / hermetic	1 / hermetic	1 / hermetic
Cooling power *	(W)	820	1030	1290	1100	1010
Electric supply	(V/ph/Hz)	230/1/50 (UE)	230/1/50 (UE)	230/1/50 (UE)	230/1/50 (UE)	230/1/50 (UE)
Power consumption	(W/A)	1085/8,2	1190/8,0	1490/9,0	1170/8,0	1140/8,0
Defrost	Mode / type	electric	electric	electric	electric	electric
Climatic class	N°°C/F°/H.R.	4+/35/95/70%	4+/35/95/70%	4+/35/95/70%	4+/35/95/70%	4+/35/95/70%
Refrigerant Gas	Type	R404A	R404A	R404A	R404A	R404A
Net weight	Kg	205	275	340	250	250
Crated weight	Kg	315	425	530	400	400

STANDARD FEATURE

- Chrome finish
- Fluorescent light on each shelf
- Electric control board
- Electric defrost
- Front glass with safely tilt down opening system

OPTIONAL

- LED lighting
- Castors
- Extra clear glass
- Remote condensing unit
- Condensate water tray with electric evaporation