



KALTENBACH

KBP 701 | 1001 | 1301
Band sawing

Speed,
quality,
precision

Band sawing machines

750 x 500 mm
1,030 x 500 mm
or 1,330 x 600 mm



KALTENBACH

POWERFUL SOLUTIONS - PASSIONATE PEOPLE

 www.kaltenbach.com



Highest cutting performance and best cutting results. Designed for a high level of automation and low maintenance requirements. The robust and low-vibration twin-column construction ensures a long machinery life. **KALTENBACH Band saw Performance.** Perfect successor of successful KBS 761 | 1051 | 1351 series. The fastest band saws in the world.

- > EXCEPTIONAL RELIABILITY AND MAXIMUM UPTIME
- > MOST ENVIRONMENTALLY FRIENDLY SOLUTIONS
- > LOWEST COST OF OWNERSHIP

KALTENBACH PROMISES

BENEFITS AT A GLANCE

- > Highest cutting performance
- > Long machinery life
- > Robust construction
- > Highest automation possibilities
- > Precise setting of cutting angle
- > Significant reduction of cutting time by means of Auto Feed Control
- > Fast change of the saw band for low idle times
- > Cutting pressure and saw band slippage control
- > Long blade life

SOFTWARE FOR PROFESSIONALS

Powerful and user-friendly software packages

Machine software

Tailored to the unique features of the machine

In-house development

KALTENBACH develops its own steel fabrication software

Seamless compatibility

Hardware and software from one single source



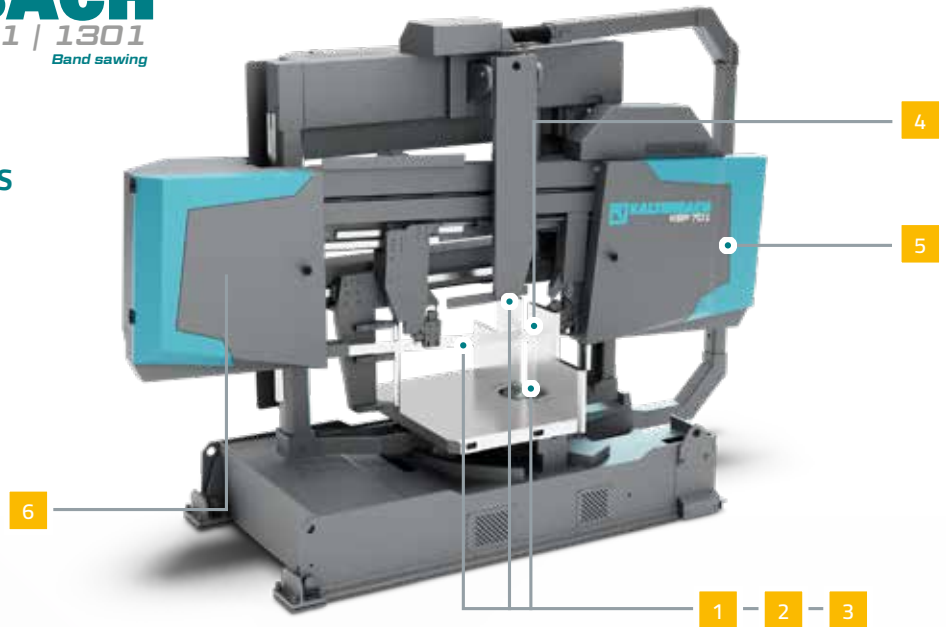
Precise processing, high-quality end products, best cutting quality, very reliable system, maximum uptime.



High performance band sawing machines for the production of first class, sustainable steel products.

KALTENBACH will find a solution, or already has

- HIGHEST PERFORMANCE
- OPTIMAL SAWING RESULTS
- MOST POWERFUL AND RELIABLE SYSTEM



FEATURES



Outstanding cutting performance Auto Feed Control (AFC)

- Precise positioning
- Automatic tilt angle adjustment of the saw band in case of heavy products
- Significantly reduced cutting times
- First class end products



Optimal feed

- Saw feed with ball screw and servomotor
- Constant and temperature-independent feed
- Low idle times and higher machine utilization



Precise setting

- NC-controlled angle setting
- High quality cuts
- NC-standard enables highest reliability



Powerful and reliable clamping

- Horizontal and vertical clamping device
- Low vibrations for long saw band lifetime and low operating costs
- Cutting of material layers and bundles possible



Optimal process flow

- Accurate positioning of material at in- and outfeed side
- Measuring carriages with various types of pushers and grippers
- Length stop LS 220 and LS 270



Full system automation

- Automated outsourcing of short parts
- SPG - Short piece gripper for outsourcing at one side
- AS - Autosorter AS 1000 for outsourcing at both sides

HARD FACTS

H T L U - O □

		KBP 701	KBP 1001	KBP 1301
Working range max / min	mm	750 x 500 / 30 x 10	1,030 x 500 / 30 x 10	1,330 x 600 / 50 x 10
Drive power	kW	12.9		15.9
Cutting speed	m/min	15 - 180	15 - 150	
Saw band feed	mm/min	0 - 600		
Rapid feed and return	mm/min	6,000		
Saw band material		Bimetal and carbide		
Saw band dimensions (L x W x H)	m/min	8,320 x 1.6 x 54	8,900 x 1.6 x 54	10,300 x 1.6 x 67
Machine weight	kg	5,500	6,000	7,700
Machine dimensions (L x W x H)	mm	4,080 x 1,435 x 2,650	4,370 x 1,435 x 2,650	4,900 x 1,850 x 3,000



Shotblaster / Primer combination

Possibility to combine with a GIETART ECO Blaster and ECO Primer, resulting in a complete high performance processing system.



Efficient material handling

Designed to ensure an optimal process flow, and therefore the most effective processing of material in your production area.

HOME AT YOUR INDUSTRY

- > Automotive
- > Bridge Building
- > Machine Construction
- > Ship Building
- > Steel Fabrication
- > Steel Service Center
- > Transmission Towers

The KBP series is specially designed for medium and heavy steel fabrication and service centers.



KALTENBACH

KALTENBACH GmbH + Co. KG
 Blasiring 4
 D-79539 Lörrach
 Germany

Tel: +49 7621 175 0
 E-Mail: info@kaltenbach.com

www.kaltenbach.com

