

**Air Series
9000**

InteliClean

Intelligent Hygiene Systems



The **Air Series 9000** includes air-gap assessed and found to comply with the requirements of a registered break tank of AS/NZS 2845.2 and the Plumbing Code.



Watermark Certificate of conformity - Level 1 #WMK20094

InteliClean Air 9000 Series

The InteliClean range of bidets are, as the name suggests, the most intelligent personal health care system designed exclusively for use in Australia.

The cleansing and inbuilt personal hygiene features that come standard are not available in any other brand of bidet.

- Its ultra modern design fits in with old and new bathroom designs.
- Inbuilt virus and germ protection.
- Instant warm wash and a warm air dry with just the push of a button are standard.

Additional features on this intelligent healthcare bidet include a warm seat for those cold mornings, a soft close lid and seat and a night light. The intelligent processor remembers your favourite setting providing the perfect clean each and every time.

InteliClean can be retrofitted to the majority of toilet pans in just a few minutes. It can easily be removed with the push of a button for cleaning and can be taken with you when you move house.

InteliClean is the only retrofit bidet approved to not need additional plumbing and expensive backflow requirements, at the time of print.

You are never perfectly clean with toilet paper

Water is the most natural cleaning agent that there is. Especially after going to the toilet. InteliClean Air Series 9000 is a pioneer in the development of bidet seats.



Soft Close Lid

With just a tap the seat and lid will soft close so there is no slamming. Be careful not to force the lid or seat down and put undue pressure on the dampening hinges.



Warm Water Wash

Four levels of water temperature: room/34°C/38°C/42°C.

Five levels of water pressure to ensure the perfect wash.

Once set the inbuilt memory will deliver your favorite setting each and every time.

Seat Sensor & LED Light

The bidet spray is activated through the seat sensor which reads the moisture in your skin. It is not activated by weight.

This stops unwanted sprays being activated by curious children.

The night light can be turned on or off so you don't need to turn the light on in the toileting area.

Remote Features

The state of the art slimline remote control makes operating your bidet a breeze.

Using AA batteries that should last for up to 2 years before they need to be replaced.

1. Stop

This will immediately stop water or dryer function when in use.

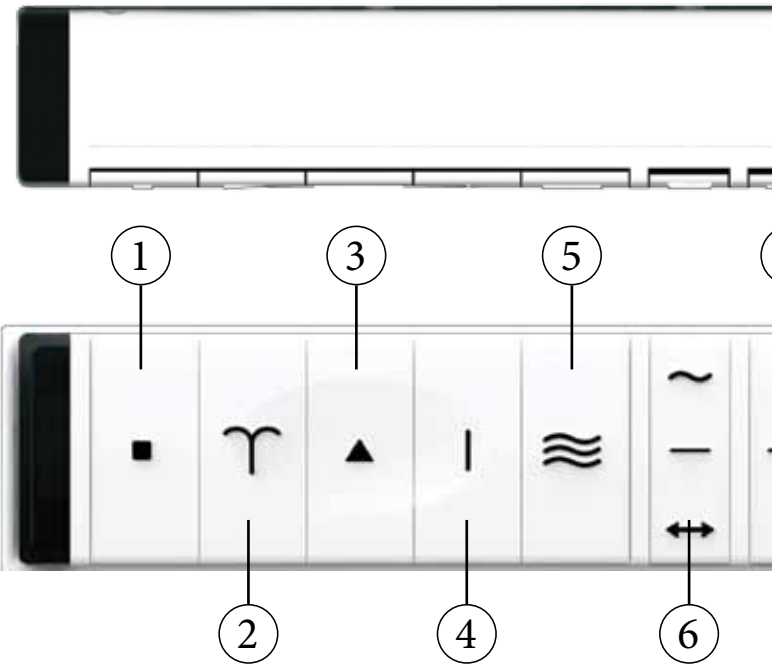
2. Rear Wash

Warm water cleansing posterior area for 1 min.



3. Feminine Wash

Warm water cleansing feminine area for 1 min.



4. Enema Wash

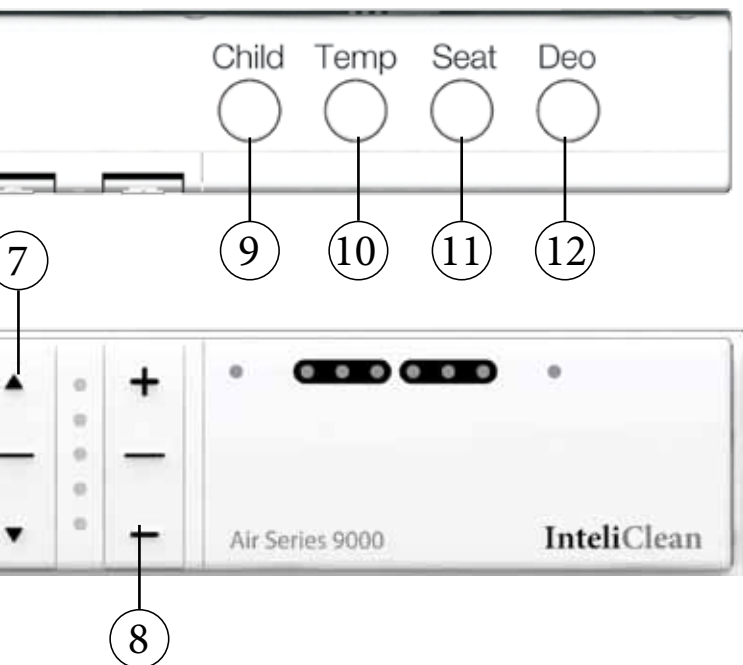
Provides a strong, straight flow of water to assist in evacuating the bowel. Water stream runs for 1 min.



5. Warm Air Dryer

Warm air that gently dries after wash for 3 minutes. Air temperature can be adjusted to 5 separate levels.





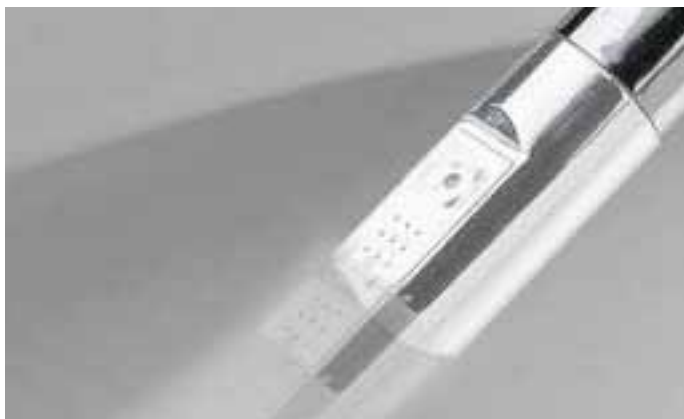
6. Pulsate & Oscillate

While using any wash function the nozzle will move forwards and backwards when activated. Nozzle can pulsate the water as well.



7. Nozzle Position

While using the Rear or Feminine wash, the nozzle position can be adjusted forward or backward. **Adjustable in five levels.**



8. Pressure & Heat adjuster

Press + to increase and - to decrease.

9. Child Wash

This function reduces the water pressure and air temp by half providing the ideal wash for children.



10. Water Temperature Control

11. Heated Seat

The heated seat is ideal for those cool winter periods. The seat temperature is adjustable (button function number 8) to suit individual preferences.



12. Eco Mode

The Intelliclean Air 9000 Series bidets can be programmed to save power, thus doing our bit to save the environment.

Virus and Germ protection: A standard feature

The InteliClean series of bidets are the only bidets in Australia to provide a dual cleansing protection system. The inbuilt EM ceramics breakdown the water molecules, allowing the water to clean better. The MF filters sterilize the water attacking viruses and germs, providing a safer, cleaner and more hygienic wash than any other bidet system.

EM Ceramics - The purer the water the better the clean

How it works:

Water retains traces of everything that comes into contact with it. Small particles in the water, or dissolved solids, have tiny charged ions that join the solids to each other and to the water molecules. This forms clusters of water molecules with impurities trapped inside.

To purify the water, we need to break up these molecule clusters and remove the impurities.

EM® Ceramics **can assist in removing** this pollution imprint from the memory of the water, allowing the molecules to restructure back to hexagonal micro clusters. The water is then able to provide a superior cleansing action as it absorbs toxins and impurities when in contact with the body.

EM's make water softer and are natural antioxidants that **can help** prevent rust and calcification of the heating elements in your bidet appliance.

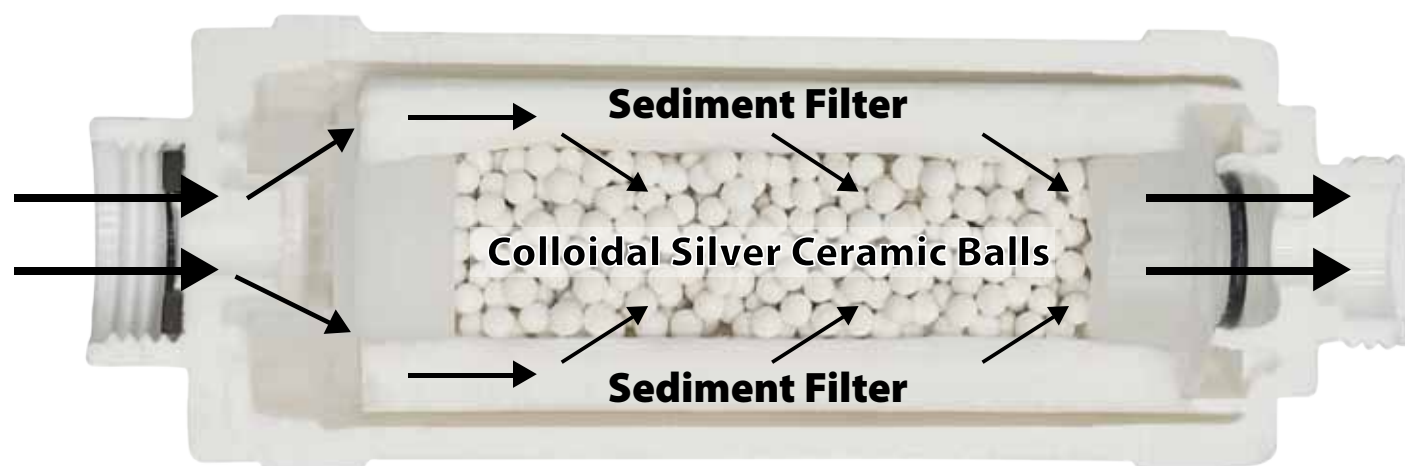
The EM module is inbuilt and will last for the life of the bidet.



MF Filter

The MF filter removes any suspended particles from the water before it pushes through the bidet. The water then passes through the silver ceramic balls collecting silver ions attacking any bacteria, germs or viruses that may be living water.

Thus ensuring with the InteliClean's two stage water treatment you are washed with the cleanest water you can imagine.



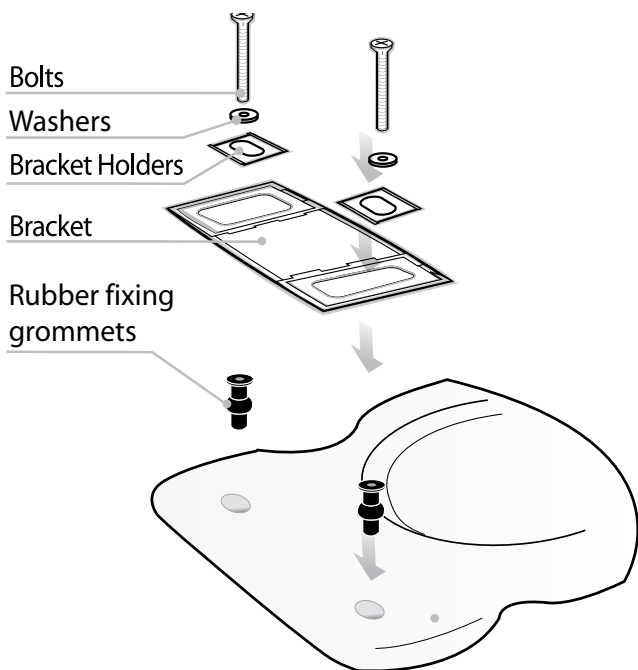
Bottom Fixing Option

1. Put the 2 bolts into the 2 bracket holders.
2. Place this bolt assembly into the bracket holders as shown.
3. Guide arrow on the bracket should face up and towards the toilet tank.
4. Place the bracket and insert the bolt assembly on the toilet bowl.
5. Tighten the nuts.



Top Fixing Option

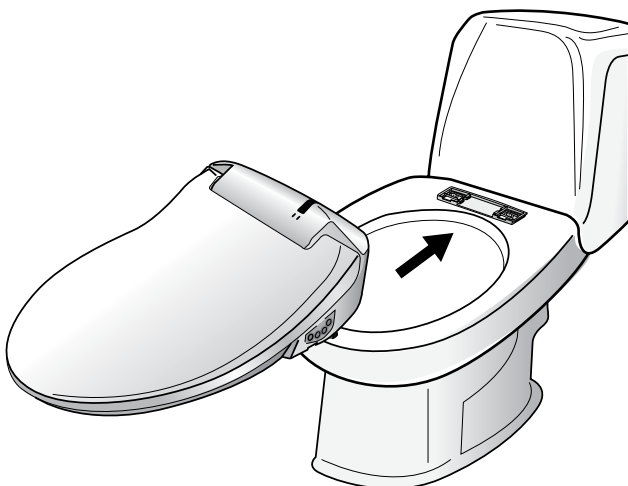
1. Place the rubber fixing grommets into the seat bolt holes.
2. Then fix the bracket onto the toilet first.
3. Place the sliders on the bracket.
4. Then place the bolts into the sliders.
5. Install top fixing kit so the bracket can move.



***Position the seat correctly before final tightening of the bolts.**

Bidet Assembly

1. Slide the unit onto the bracket centering the unit with the guide arrow on the bracket.
2. Slide the unit onto the bracket completely until it clicks in.
3. If needed, the unit can be adjusted from front to back and side to side for balance.
4. Tighten the nuts on both bolts securely.
5. Connect the bidet hose to the unit.



Installation should be carried out by a licensed plumber.

InteliClean Air 9000 Series



The[®] BIDET SHOP

1300 BIDETS (1300 243 387)

www.inteliclean.com.au



InteliClean
Air 9000 Series