



HPM SS SERIES

**ENERGY EFFICIENT
STAINLESS STEEL
BLOCK DOOR**



HPM600SS

**ENERGY EFFICIENT
STAINLESS STEEL**



GEMS ENERGY CONSUMPTION
2.0kWh/24hr
\$219.00
Cost per year @ \$0.30/kW.
Performed under test conditions
as per GEMS determination 2020
& ISO Standards



HPM850SS

**ENERGY EFFICIENT
STAINLESS STEEL**



GEMS ENERGY CONSUMPTION
2.3kWh/24hr
\$251.85
Cost per year @ \$0.30/kW.
Performed under test conditions
as per GEMS determination 2020
& ISO Standards



HPM1100SS

**ENERGY EFFICIENT
STAINLESS STEEL**



GEMS ENERGY CONSUMPTION
3.0kWh/24hr
\$328.50
Cost per year @ \$0.30/kW.
Performed under test conditions
as per GEMS determination 2020
& ISO Standards



HPM1350SS

**ENERGY EFFICIENT
STAINLESS STEEL**



GEMS ENERGY CONSUMPTION
4.3kWh/24hr
\$470.85
Cost per year @ \$0.30/kW.
Performed under test conditions
as per GEMS determination 2020
& ISO Standards



**0-4°C
FOOD SAFE**

Internal Operating Temp

≤40°C

Outside/Ambient Operating Temperature



LOW-ENERGY & HIGH EFFICIENCY

Market leading energy efficiency saves you money on annual energy consumption and saves the environment with carbon emissions



COMPLIANT TO AS/NZ

(electrically safe)

REGISTERED ON

GEMS/MEPS (Australia & New Zealand Government Energy Rating, refer website)



PATENTED AIRFLOW TECHNOLOGY

Cold air is delivered evenly and powerfully throughout the fridge, which means quick pull-down temperature of warm/hot product



QUALITY - LASTS LONGER/LESS NOISE

High quality componentry so the fridge lasts longer and is less noisy, such as German EBM fan motors



SERVICING IS SIMPLER / PLAN FOR NO DOWN-TIME

The Huxford universal RRP (removable refrigeration package) is interchangeable across 11 models and easy to remove or swap

Removable Refrigeration Package

The Huxford universal RRP (Removable Refrigeration Package) is interchangeable across all 11 Huxford HPM models, from Display Fridges and Pass-Throughs to the solid door Stainless Steel kitchen range.

Energy Efficiency with Natural Refrigerant Gas

The Huxford universal RRP package is one of the most **energy efficient** removable display fridge packages in the market today, utilising R290 natural gas. A low environmental impact, non-toxic, zero ODP, very low GWP, high performance/efficiency gas.

Plan for No Down Time

Keeping a spare Huxford universal RRP 'on-hand/in storage' means a faulty fridge could be up and running again in less than 5 minutes. The RRP just slides in and out, no tools or qualifications are required to remove or replace an RRP. They are long lasting steel construction and specifically designed to be rodent proof.

Servicing is Simpler

In case repairs are required to the RRP rather than have the service agent pull the fridge apart in store (as is the case with non-removable package units) causing unsightly mess and unwanted customer disruptions, the RRP can be taken outside or transported away for repairs.

Patented Airflow Technology

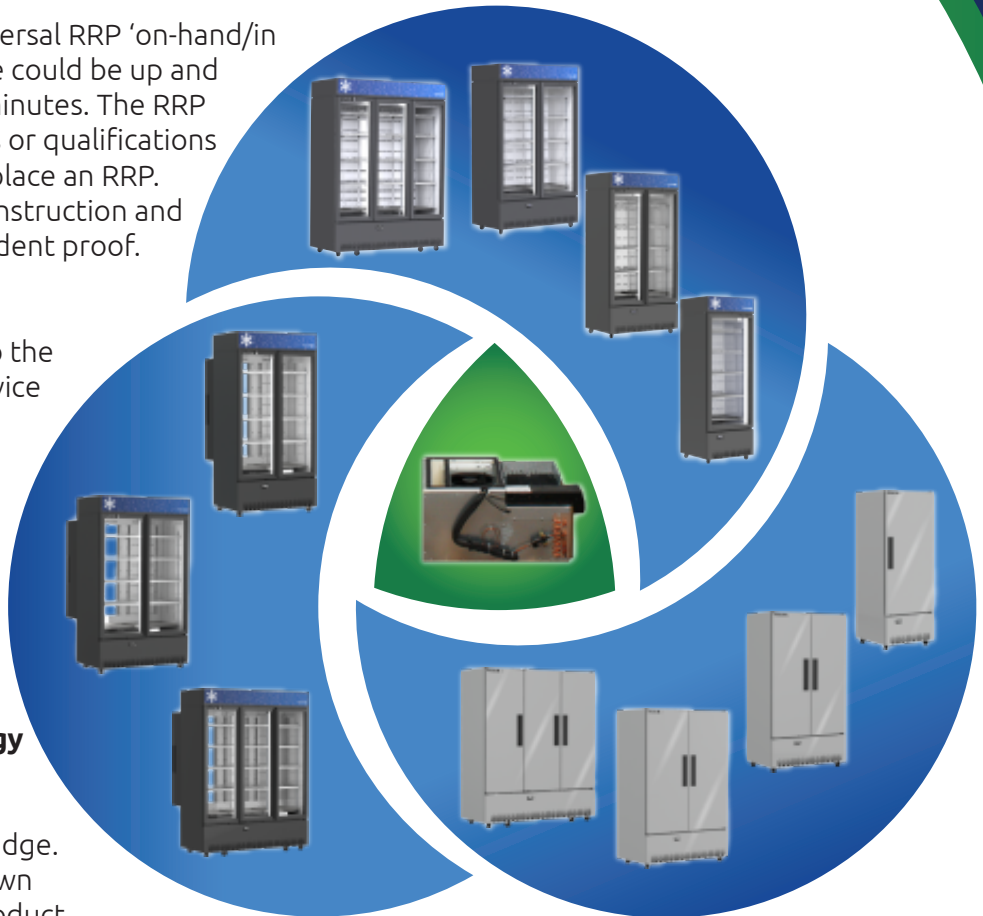
The Huxford universal RRP delivers cold air evenly and powerfully throughout the fridge. This also means quick pull-down temperature of warm/hot product.

Quality - Lasts Longer/Less Noise

We use high quality componentry so that the fridge lasts longer and is less noisy. An example is the high quality German EBM fan motors are energy efficient and low noise.

Blue Coat Acid Protection

Blue coated evaporator protection provides corrosion resistance to acid wear from food especially in the case of dairy, fruit and vegetable fridge storage.





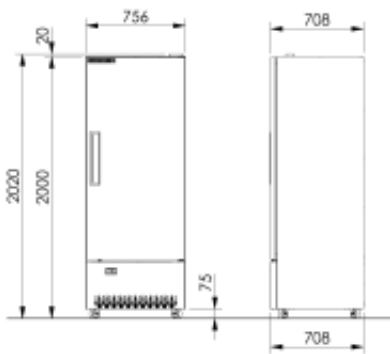
HPM SS SPECS

ENERGY EFFICIENT
STAINLESS STEEL
BLOCK DOOR



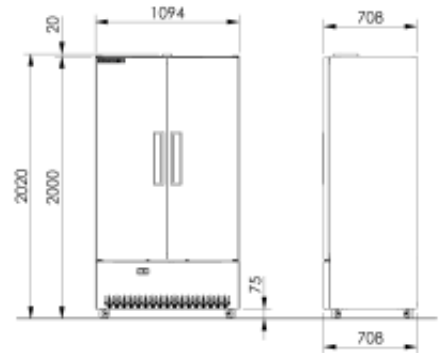
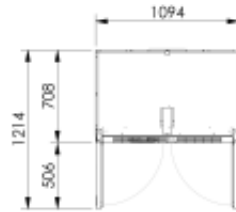
HPM600SS

ENERGY EFFICIENT
PREMIUM



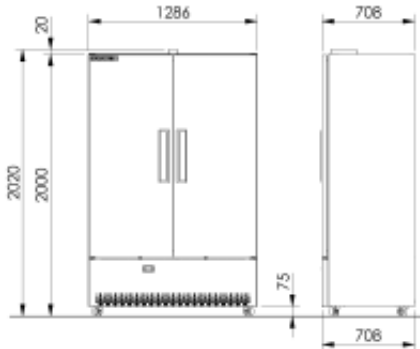
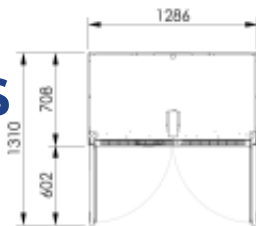
HPM850SS

ENERGY EFFICIENT
PREMIUM



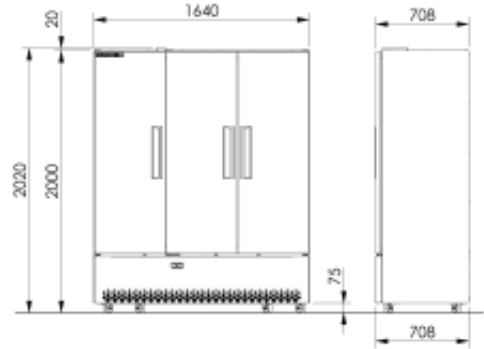
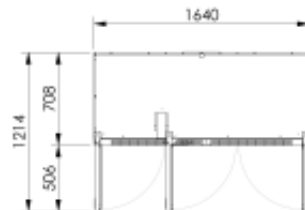
HPM1100SS

ENERGY EFFICIENT
PREMIUM







HPM1350SS

ENERGY EFFICIENT
PREMIUM





Model No	HPM600SS	HPM850SS	HPM1100SS	HPM1350SS
External				
Size (mm) Width x Depth x Height	756 x 745 x 2020mm	1094 x 745 x 2020mm	1286 x 745 x 2020mm	1640 x 745 x 2020mm
Doors	Self Closing Solid Stainless Grade 304 Doors			
Exterior/Interior	Stainless Steel Grade 304			
Sign Box	N/A			
Castors	4 Heavy Duty (2 front lockable)			8 Heavy Duty (4 front lockable)
Internal				
Capacity (Litres)	595L	895L	1077L	1384L
Size (mm) Width x Depth x Height	646 x 612 x 1443mm	984 x 612 x 1443mm	1176 x 612 x 1443mm	1530 x 612 x 1443mm
Temperature Range (°C)	0°C to 4°C - Tropicalised unit rated for 40°C ambient outside temperature			
Suitable Foods & Drinks/Beverages	All Perishable, Drinks or Potentially Hazardous Foods Dairy (all, milk, custard, etc), Meat/Poultry (all, raw, cooked, foods containing meat, etc), Seafood (all, non-live), Processed Cut Fruits & Vegetables (all, fruit, vegetables, juices and salads), Cooked Rice & Pasta, Food/s containing Egg, Beans, Nuts or protein-rich foods, Food/s containing any of the above, Perishable Foods, Drinks and Beverages			
Controller / Thermometer	Carel Digital Display with Ice Blue Colour Temperature Display			
Interior Lighting	Low Voltage LED (IP65, 12VDC) Manual Control			
Insulation	CFC free Cyclopentane			
Shelving	4 Adjustable Heavy Duty PVC Coated Shelves	8 Adjustable Heavy Duty PVC Coated Shelves	8 Adjustable Heavy Duty PVC Coated Shelves	12 Adjustable Heavy Duty PVC Coated Shelves
Shelf Increments	12mm Shelf Increments with Number Markings for Easy Location			
Energy & Power				
GEMS Class	3M1	3M1	3M1	3M1
Star Rating				
GEMS Energy Consumption	2.0	2.3	3.0	4.3
Power Required	220-240VAC/10Amp, Standard GPO (general power outlet)			
Mechanical				
Service Package	Universal Removable Refrigeration Package interchangeable across all HPM Range			
Compressor	Secop (Danfoss)			
Refrigerant	R290 Natural, Low Environmental Impact & High Efficiency			
Evaporator Treatment	Blue Coat Protection			
Other Features				
Features	<ul style="list-style-type: none"> Stainless Steel Grade 304 with Block Doors Patented Airflow Technology Design – Also means Quick Pull-Down Temperature of Product Internal Base Drip Tray per Door Isolate Internal Power Supply to Remove Refrigeration Package While Full 			
Warranty*				
Warranty*	2 Year Standard Warranty *Warranty Terms & Conditions apply see website for more details			

Huxford Refrigeration attempts to ensure the information is accurate and complete; however, this information may contain typographical errors, pricing errors and other inaccuracies. We assume no responsibility for such errors and omissions, and reserve the right to: (i) revoke any offer stated on the Web site; (ii) correct any errors, inaccuracies or omissions; and (iii) make changes to prices, content, promotions, product descriptions or specifications, or other information on the Web Site.