



Complete Commercial Catering Equipment

ABN 63 052 427 719



where quality and performance
go hand in hand

HIGH CAPACITY BOILING BURNER



- Heavy duty construction.
- Cast iron trivets and non clog burners.
- Pilot & flame failure to all burners.
- Stainless steel exterior.
- On stand to suit or bench model available

 P.O. Box 230, Tullamarine VIC 3043

 3 Pauljoseph Way, Truganina VIC 3029

 (03) 9334 5999

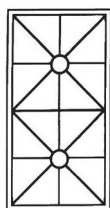
 ccce@bigpond.net.au

 www.completecommercial.com.au

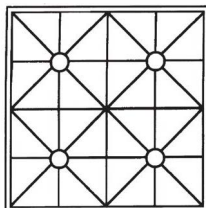


www.completecommercial.com.au

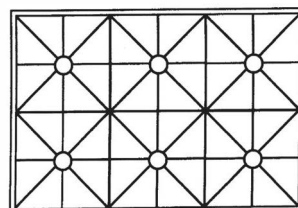
High Capacity Boiling Burner



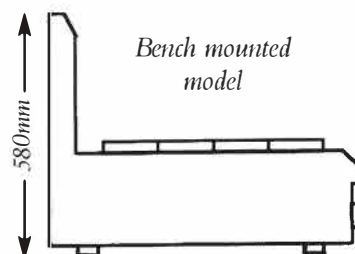
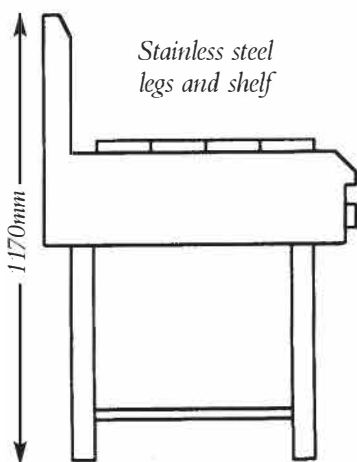
BB-2



BB-4



BB-6



Model	Burners	MJ Rating	Width	Depth
BB-2	2	40	315mm X	800mm
BB-4	4	80	620mm X	800mm
BB-6	6	120	920mm X	800mm
BB-8	8	160	1230mm X	800mm

Grill plate-boiling burner combination

12" grill plate in place of 2 open burners.

24" grill plate in place of 4 open burners.

We also produce a large range of custom-made equipment for the catering industry.

- Wok Tables
- Char Grills
- Oven Ranges
- Fryers
- Stock Pot Unit
- Grill Plate
- Combination Griller Toaster
- Stainless steel bench & Canopy

Complete Commercial Catering Equipment



www.completecommercial.com.au