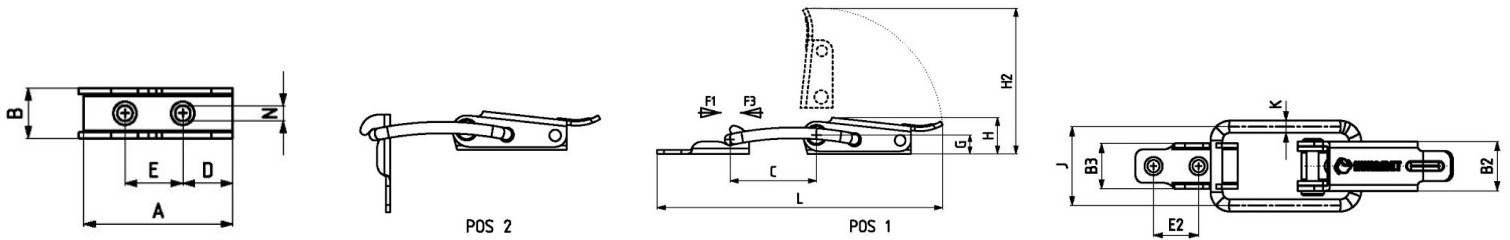


363 - Light Duty Latch Toggle Clamp with U Hook

Body Mounting Base: Horizontal

| Part Number | F1 (N) | F3 (N) |
|-------------|--------|--------|
| 19-363-2 | 1500 | 1725 |

F1 Exerting Force. F3 Holding Capacity



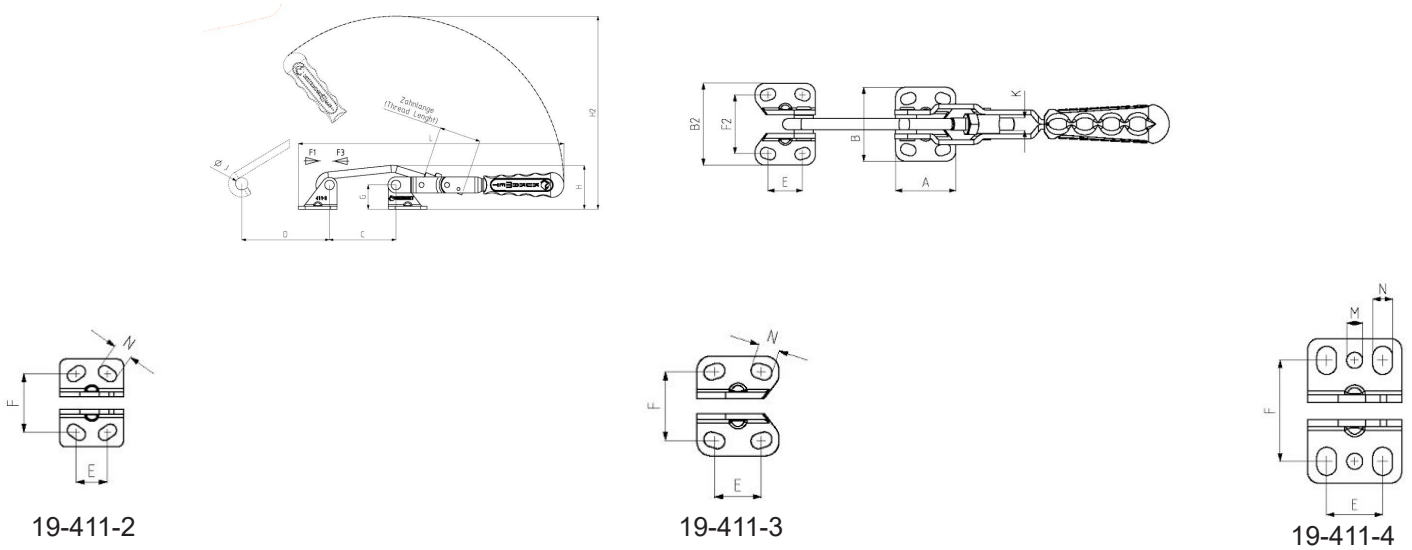
| Part Number | A | B | B2 | B3 | C | D | E | E2 | G | H | H2 | J | K | L | N |
|-------------|------|----|------|----|----|----|----|----|---|------|----|----|---|-----|---|
| 19-363-2 | 38.3 | 13 | 16.3 | 15 | 32 | 13 | 15 | 15 | 7 | 13.5 | 54 | 25 | 4 | 106 | 4 |

411 - Latch Toggle Clamp with C Hook

Body Mounting Base: Horizontal

| Part Number | F1 (N) | F3 (N) | Thread Length |
|-------------|--------|--------|---------------|
| 19-411-2 | 1500 | 1800 | 15 |
| 19-411-3 | 2000 | 2500 | 15 |
| 19-411-4 | 3500 | 4000 | 25 |

F1 Exerting Force. F3 Holding Capacity



| Part Number | A | B | B2 | C min | C max. | D | E | F | F2 | G | H | H2 | J | K | L min | L max | M | N |
|-------------|------|----|----|-------|--------|-----|-------|-----------|-----------|----|----|-----|----|-----|-------|-------|-----|---------|
| 19-411-2 | 31 | 43 | 47 | 45 | 60 | 50 | 12-18 | 26.5-30.5 | 30.5-34.5 | 26 | 38 | 155 | 9 | M6 | 200 | 215 | - | 6 x 9.5 |
| 19-411-3 | 38.5 | 47 | 52 | 60 | 75 | 80 | 19-25 | 31.5-33 | 36.5-38 | 24 | 42 | 190 | 12 | M8 | 255 | 270 | - | 7 x 10 |
| 19-411-4 | 50 | 77 | 84 | 75 | 100 | 130 | 30 | 49-50 | 56-65 | 40 | 61 | 253 | 16 | M10 | 335 | 360 | 8.5 | 10.5x15 |