



---

# Illustrated Parts Manual

## *Solar Site-Light*

*JLG Model  
SSL-50*

1001308323

May 21, 2024



**Customer Support**

**JLG Industries  
(Port Macquarie)**

11 Bolwarra Road  
Port Macquarie  
NSW 2444  
Phone: (02) 6581 1111

**JLG Industries  
(Victoria)**

30-32 Cyber Loop  
Dandenong  
VIC 3175  
Phone: (03) 9554 4333

**JLG Industries  
(Queensland)**

223 Fison Avenue West  
Eagle Farm  
QLD 4009  
Phone: (07) 3309 9111

**JLG Industries  
(Western Australia)**

39 Kewdale Road  
Kewdale, Perth  
WA 6105  
Phone: (08) 9356 9811

**JLG Industries  
(New South Wales)**

358 Park Road  
Regents Park  
NSW 2143  
Phone: (02) 8718 6300

**JLG Industries  
(South Australia)**

9 Nucera Court  
Green Fields  
SA 5107  
Phone: (08) 8259 8777

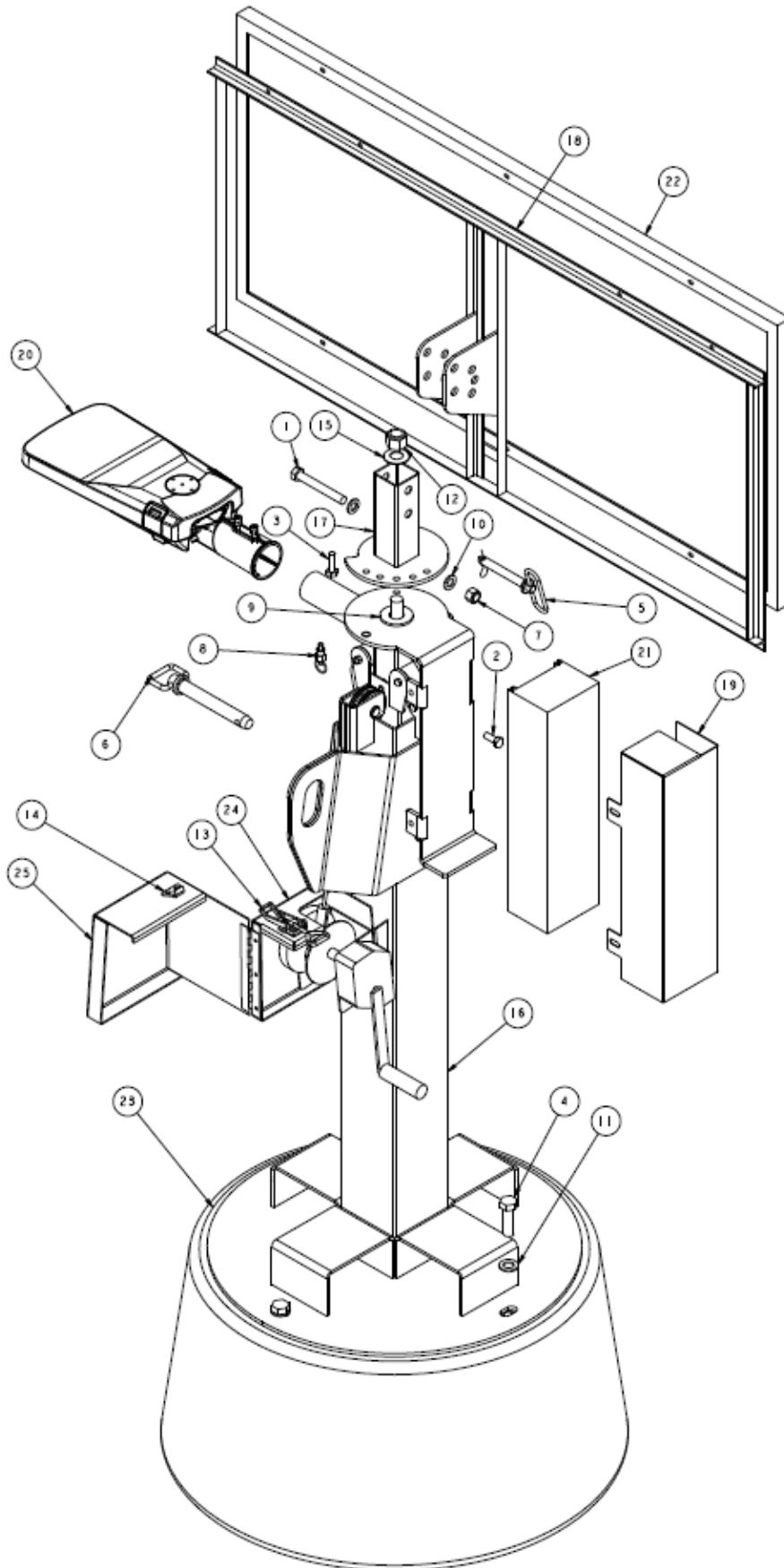
**JLG Industries  
(New Zealand)**

2b Fisher Crescent  
Mt Wellington, Auckland  
New Zealand  
Phone: + 64 9276 1728

# TABLE OF CONTENTS

1.0	OPERATION & SAFETY.....	
1.1	BATTERY, LIGHT & SOLAR PANEL.....	1-4
1.2	MAST SECTION 1.....	1-6
1.3	MAST SECTION 2.....	1-8
1.4	MAST SECTION 3.....	1-10
1.5	DECALS.....	1-12

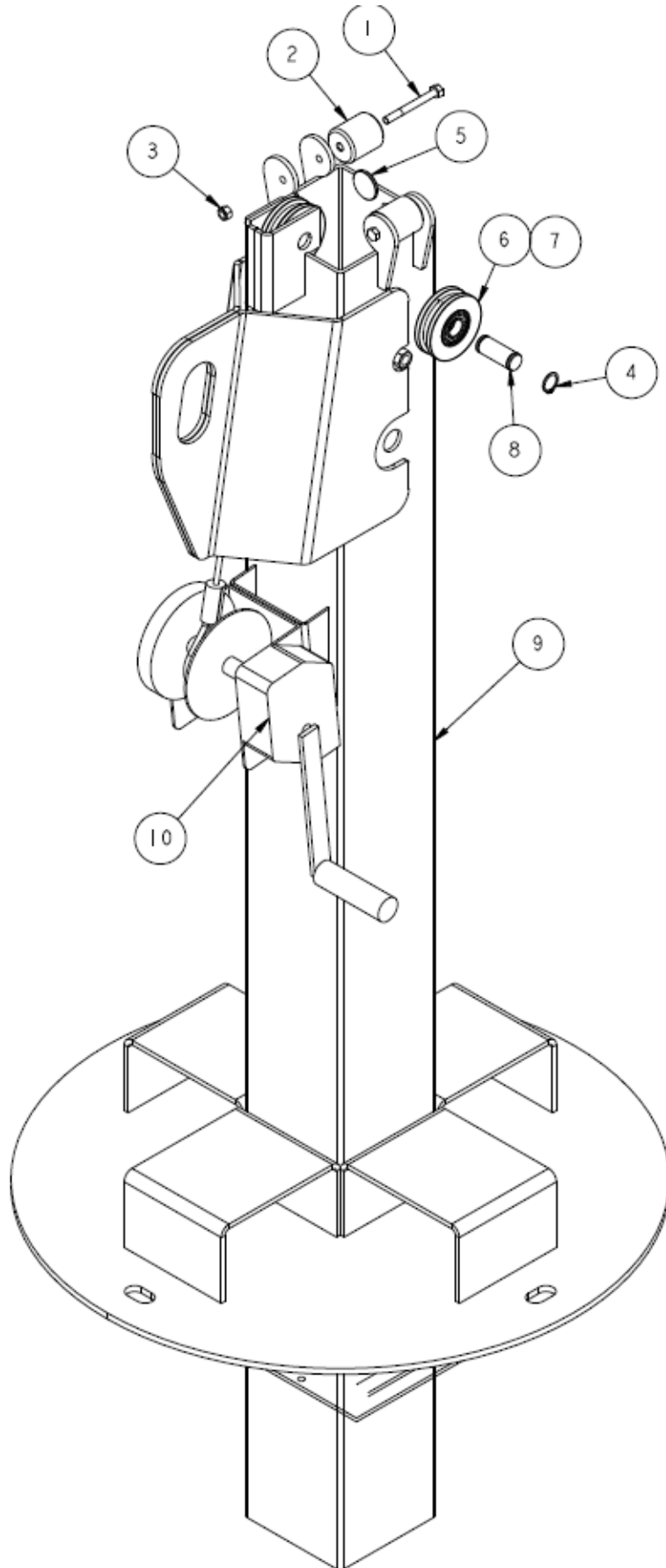
# BATTERY, LIGHT & SOLAR PANEL



**JLG SSL-50**

SEQ.#	ITEM NO.	DESCRIPTION	QTY
1	0711629	HEX HEAD BOLT, M16X120 CLASS 10.9	1
2	0761214	HEX HEAD BOLT, M12X30 CLASS 8.8	1
3	0761216	HEX HEAD BOLT, M12X40 CLASS 8.8	1
4	0772021	HEX HEAD BOLT, M20X60 CLASS 4.6 GAL	4
5	1001311340	PIN, DRAWBAR 1/2"	1
6	1733267	PIN, REWORK CLEVIS 1.00 X 6	1
7	3291605	PREV TORQ HEX LOCK NUT, M16 x 2	1
8	3422369	PIN, PLUNGER	1
9	4752601	WASHER. 1 DIA PLAIN STL., WIDE	1
10	4812300	WASHER, 16mm	2
11	4812500	WASHER, 20mm	4
12	1001098827	HEX LOCKNUT GR 10, M24 NYLON INSERT	1
13	1001205832	LATCH, HOOD ZINC	1
14	1001205833	HOOK, HOOD LATCH ZINC	1
15	1001212059	WASHER - SPEC, DISC SPRING 50X25.4X 2	4
16	1001298919	MAST, ASSY COMPLETE 3 SEC SLT	1
17	1001298986	MAST, LIGHTHEAD SLT	1
18	1001298989	FRAME, SOLAR PANEL MOUNT SLT	1
19	1001298994	COVER, BATTERY HOLD SLT	1
20	1001299270	LAMP, LED 50W & SMART CONTROL	1
21	1001299271	BATTERY, 50 AH - 24V	1
22	1001299272	PANEL, SOLAR 160W/ 18V	1
23	1001301084	WEIGHT, BASE CONCRETE SSL - 50	1
24	1001301866	COVER, WINCH HALF FIXED	1
25	1001301868	COVER, WINCH HINGED	1

MAST SECTION 1



---

---

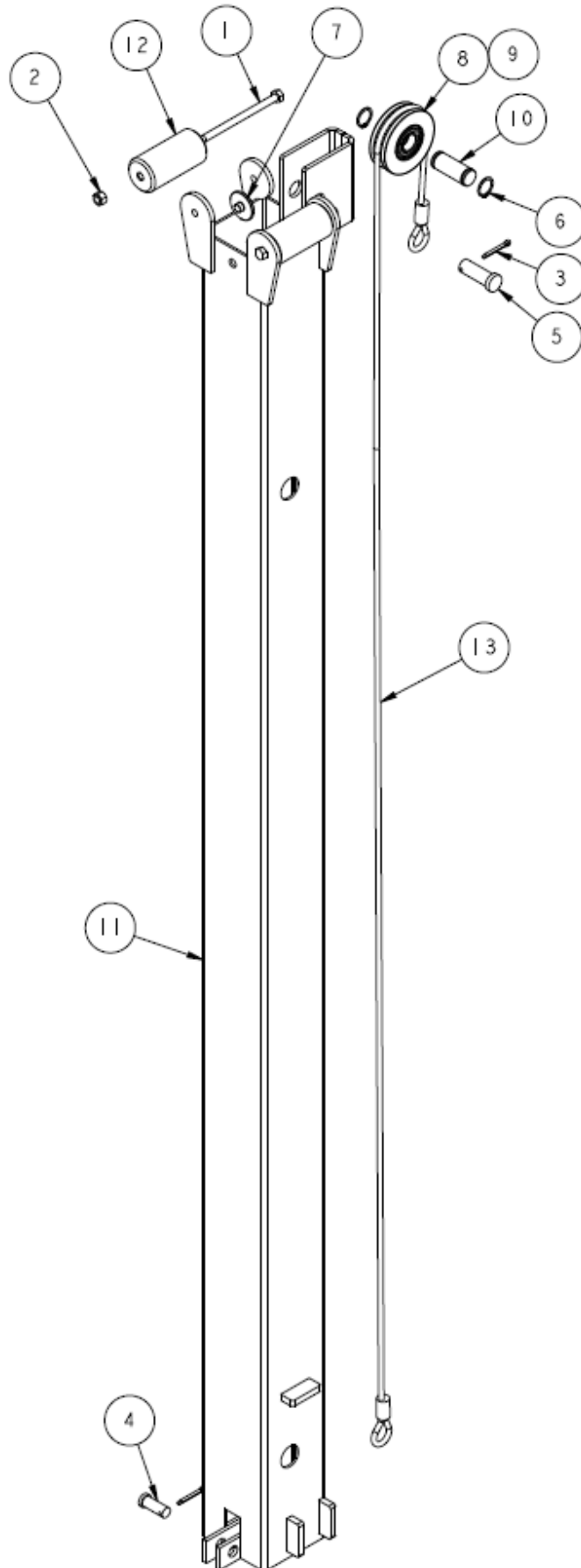
**JLG SSL-50**

---

---

<b>SEQ.#</b>	<b>ITEM NO.</b>	<b>DESCRIPTION</b>	<b>QTY</b>
1	0641524	HEX HEAD BOLT, 5/16-18 X 3 LONG	2
2	1730710	ROLLER, MAST CARRIER	2
3	1734471	NUT, 5/16-18 NYLOC	2
4	3760488	RING RETAINING EXT M20	2
5	1001159498	PAD, INNER 4MM	1
6	1001204172	SHEAVE, LT MAST 80 DIA	1
7	1001207844	BEARING, BALL 20X42X12	2
8	1001207845	PIN, DIA 20, MAST SHEAVE	1
9	1001298920	MAST, ASSY SEC-1 SLT	1
10	1001299388	WINCH, MANUAL BRAKE 500 KG WITH CABLE	2

MAST SECTION 2





---

---

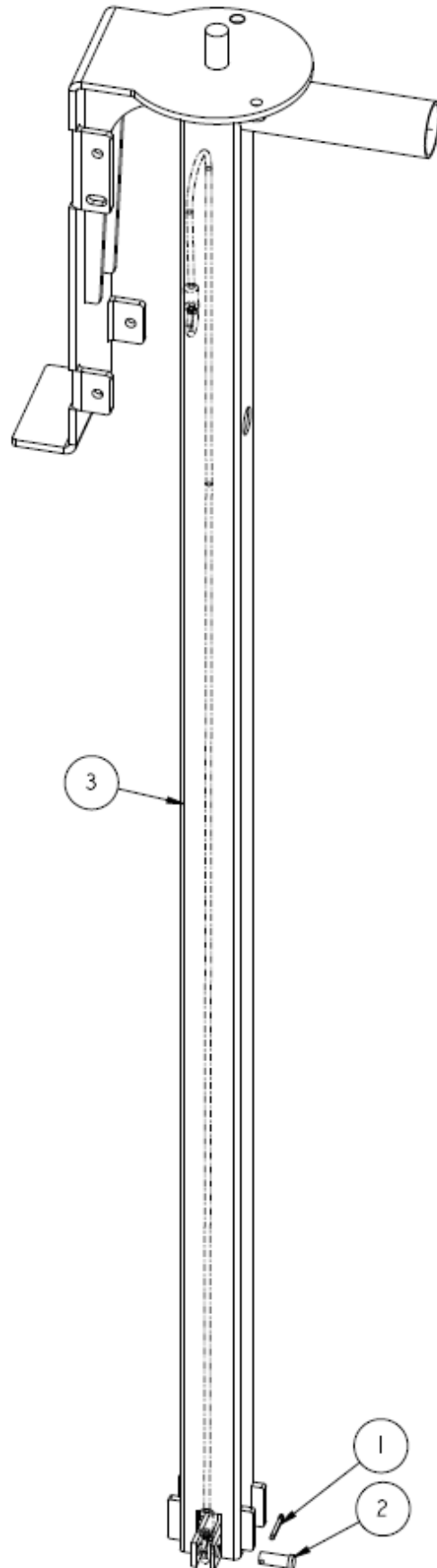
**JLG SSL-50**

---

---

<b>SEQ.#</b>	<b>ITEM NO.</b>	<b>DESCRIPTION</b>	<b>QTY</b>
1	0641536	HEX HEAD BOLT, 5/16-18 X 4-1/2 LONG	2
2	1734471	NUT, 5/16-18 NYLOC	2
3	3391410	PIN, SPLIT 4 X 30MM	2
4	3430810	PIN, FLAT HEAD CLEVIS	1
5	3431014	PIN, FLAT HEAD CLEVIS	1
6	3760488	RING RETAINING EXT M20	2
7	1001159498	PAD, INNER 4MM	1
8	1001204172	SHEAVE, LT MAST 80 DIA	1
9	1001207844	BEARING, BALL 20X42X12	2
10	1001207845	PIN, DIA 20, MAST SHEAVE	1
11	1001298929	MAST, ASSY SEC-2 SLT	1
12	1001298985	ROLLER, MAST CARRIER LONG	2
13	1001298984	CABLE, 6MM SEC 2-3 GAL	1

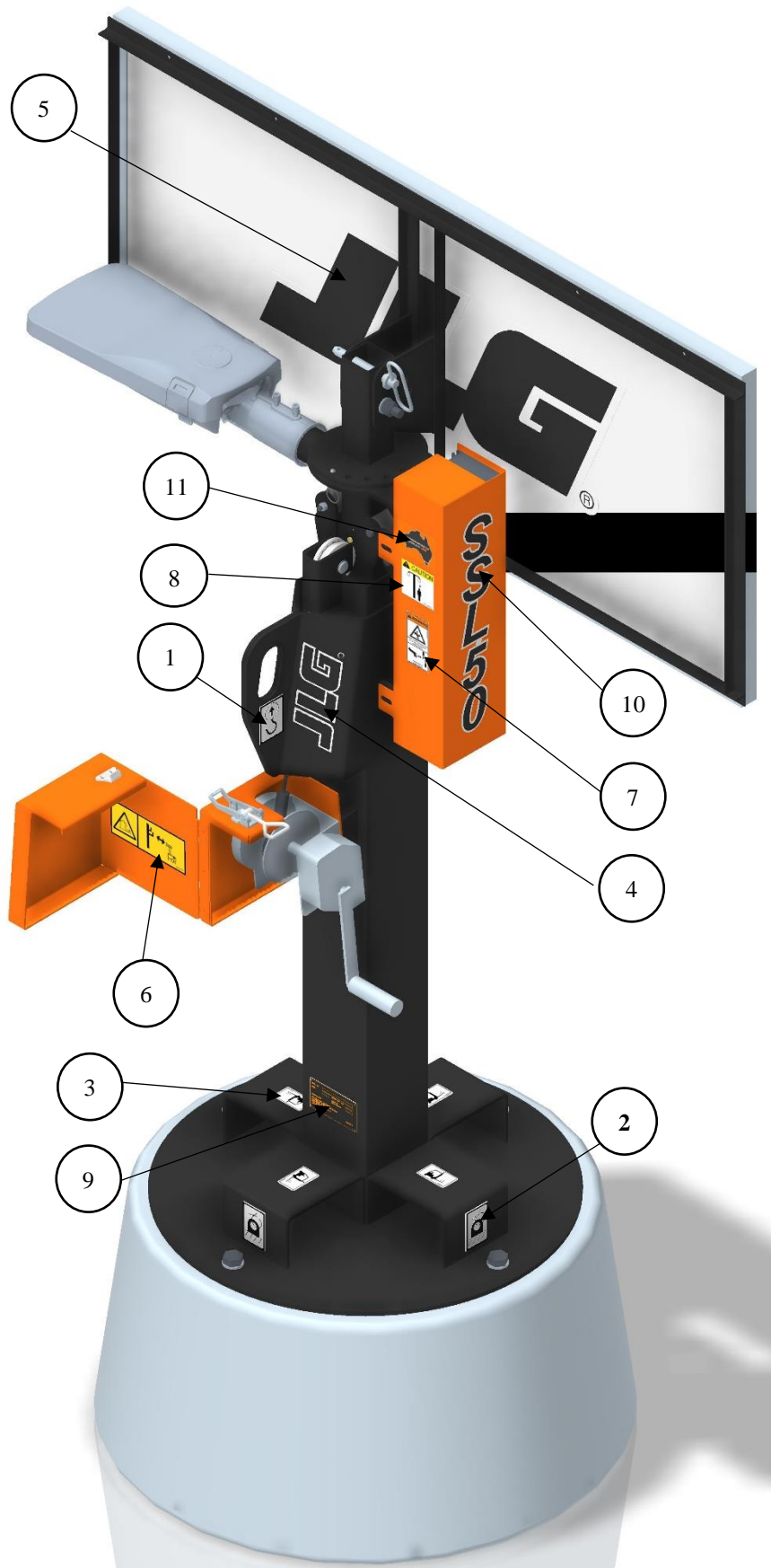
MAST SECTION 3



**JLG SSL-50**

<b>SEQ.#</b>	<b>ITEM NO.</b>	<b>DESCRIPTION</b>	<b>QTY</b>
1	3391410	PIN, SPLIT 4 X 30MM	1
2	3430810	PIN, FLAT HEAD CLEVIS	1
3	1001298971	MAST, ASSY SEC-3 SLT	1

DECALS



---

---

**JLG SSL-50**

---

---

<b>SEQ.#</b>	<b>ITEM NO.</b>	<b>DESCRIPTION</b>	<b>QTY</b>
1	1701500	DECAL, LIFT	2
2	1702300	DECAL, TIE DOWN	4
3	1704016	DECAL, FORKLIFT	4
4	1702009	DECAL, JLG LOGO 3 ½"	2
5	1705864	DECAL, JLG	1
6	1001159779	DECAL, DANGER ELEC	1
7	1001216530	DECAL, PINCH POINT	1
8	1001218636	DECAL, CAUTION STAND CLEAR OF MAST	1
9	1001287832	SN, PLATE	1
10	1001302252	DECAL, SSL-50	1
11	1001291461	DECAL, DESIGN AND BUILD AUSTRALIA	1