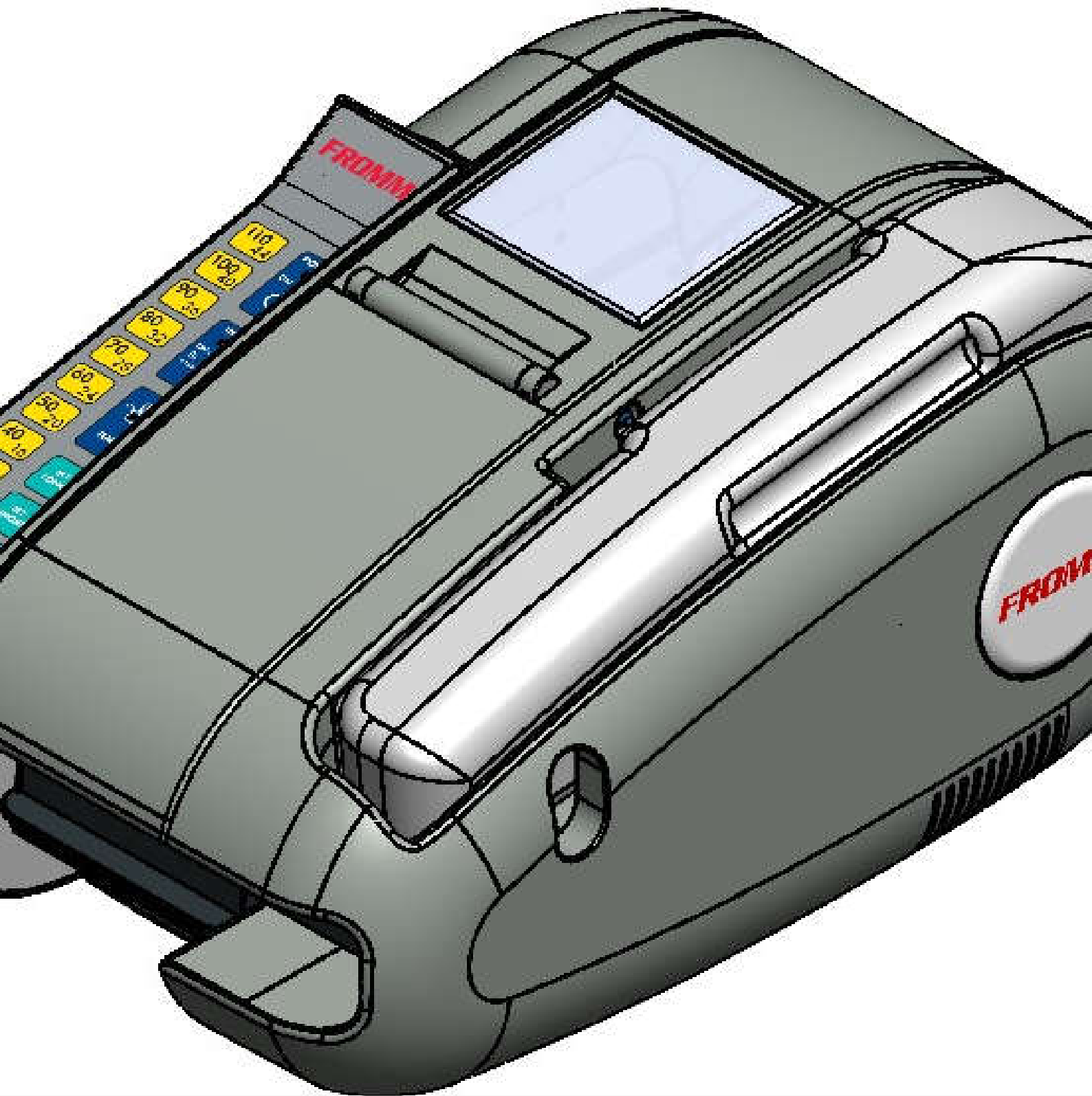


FC-G82

BY FROMM



FROMM | PACKAGING
SYSTEMS

www.fromm-pack.com

FC-G82

Gummed Paper Tape Dispenser
Semi-Automatic

FC-G82

HIGH SPEED SEMI-AUTOMATIC TABLE TOP PAPER TAPE DISPENSER

With the FC-G82, FROMM is taking a clear step towards further mono packaging optimisation; paper tape on cardboard boxes. An excellent sustainable alternative to the still widely used PP and PVC Tapes.

The FC-G82 semi-automatic Kraft paper tape dispenser ,works according to the so-called "wet process", where the adhesive layer on the tape is moistened with water upon application, creating sufficient adhesive power for closing boxes. Different types and sizes of paper tape can be processed for different applications. In addition to standard tapes, various reinforced tape types are available, for HD applications on heavy and large boxes. All tapes can be printed.

PROCESSES

- Standard 60 grams (2.12 oz.) Kraft paper or Reinforced (single or mutable fibres) Kraft paper tapes
- Coreless rolls, diameter to Ø 250 mm (10")
- Widths 20 - 80 mm (0.80 to 3.15" max)
- Roll lengths from 150 to 200 mtrs. (164 up to 218 Yards)

OPERATING

The operation is simple and, in addition to a number of standard programs, it has the option of pre-programming multiple tape lengths. This allows the user to dispense the correct length for every box or application when it is needed, preventing unnecessary loss of tape. The length-repeat function with automatic tape feed is easy to set on the clear operating panel (OP)

- Tape feeding speed - 1,000 mm/sec. (40"/sec). Adjustable on OP
- Tape feeding length - pre selectable or customized

GENERAL INFORMATION

- Tabletop model. Also available in Inox version
- Water tank capacity 2,000 ml (67.63 fl oz)
- Cutting blade stainless steel
- Standard power supply: 85 - 265 V - 1PH+N+PE - 50/60 Hz
- Total installed power: 0.12 kW / 6A
- Machine dimensions (lxwxh): 520 x 250 x 290 mm (20.84 x 12.64 x 11.54")

SOME EYE-CATCHING BENEFITS YOU SHOULD KNOW ABOUT

- A strong and secure closure; the application of hot water and an optimal water distribution via a special highly conjugated roller immediately provides a high adhesive strength
- No waste separation required; paper tape on cardboard can be recycled together
- Water-based glue; no toxic chemicals
- Theft protection; opened packaging immediately recognizable and not easy to reseal unseen
- Professional smooth appearance; same material types. Printing possible before or during processing
- Also works great in a dirty and dusty environment
- Adheres excellently to recycled boxes
- Up to 10x stronger than plastic tapes
- More cost efficient than plastic tapes and more meters on a roll

The FROMM FC-G82, is a must for any Modern and Sustainable packaging department. The perfect addition to a multitude of end-of-line packing stations.

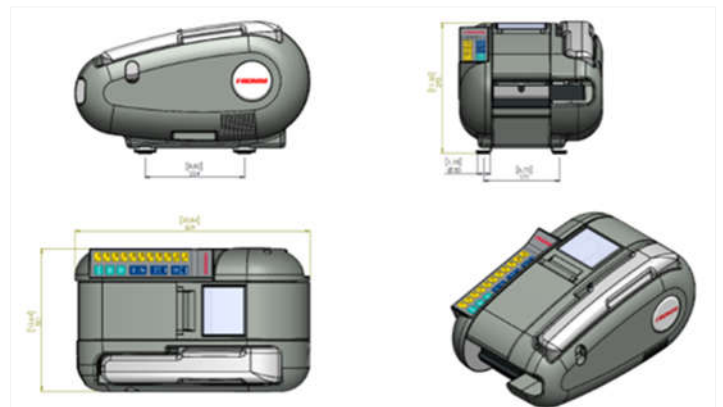
AUTOMATED PACKAGING

With Kraft paper tape? Ask your FROMM representative about the FROMM FC-G83

Convince yourself and ask us for a free practical test!

FROMM | SUSTAINABLE SOLUTIONS

www.fromm-pack.com



Your FROMM distributor