

VARI-CART HYBRID

+ PHLEBOTOMY

VARI-CART HYBRID

+ PHLEBOTOMY



* Models shown: FW3140 & Phlebotomy A



FREWAY
Medical

Vari-Cart Hybrid. The perfect combination.

Our range of Vari-Cart Hybrid carts offer the flexibility of combined drawer and tray storage areas, with the unique ready-out-of-the-box Phlebotomy Carts expanding the concept further.

The multi-purpose Vari-Cart can be customised in many different ways, including choosing your drawer-front colours, upgrading worktops, optional hook-over accessories, drawer-tidy dividers and adding digital security options.

[Explore our Vari-Cart Hybrid range >](#)

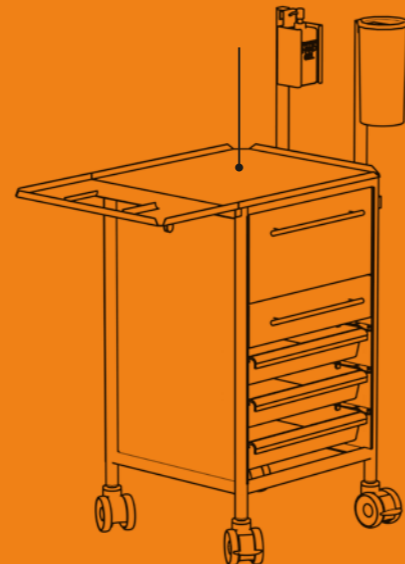
VARI-CART HYBRID
500 SERIES



VARI-CART HYBRID
1000 SERIES



VARI-CART HYBRID
PHLEBOTOMY



#PV0155, PV0235 AND PHLEBOTOMY A models shown

What is included on the base models?

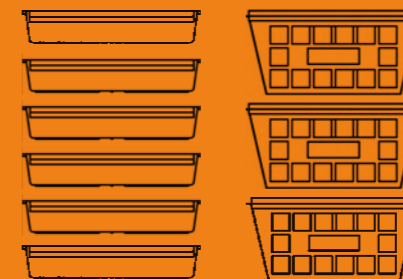
Once you have chosen your desired Vari-Cart Hybrid model, you have many inclusions to choose from, at no extra cost. Choose the colour you would like the drawer-fronts and then choose the combination of storage trays that would best suit your needs.

You then have the option to upgrade components or add optional extras with plenty to choose from so you can easily create the Vari-Cart Hybrid you want.

1. CHOOSE YOUR DRAWER COLOURS (8 options available)



2. CHOOSE YOUR STORAGE TRAYS (in any combination / where applicable)



3. CHOOSE YOUR HOOK-OVER ACCESSORIES* (optional - see pages 22-25)



WHY BUY FREEWAY? BECAUSE ALL

THESE FEATURES ARE STANDARD!



Drawer Colour Choice

All drawers on your Vari-Cart Hybrid can be painted in one of 8 available colours or a mix of them all to help you brighten and organise.



Ultra Heavy-Duty Castors

Featuring a triple ball-race bearing set, our castors and rubberised tyres are built to last and ensure effortless manoeuvring of a fully stocked cart.



Super-Tough Nylon Paint

All components used, large or small, are resistant to everyday knocks and scrapes with an extremely durable and easy-clean nylon powder coat paint finish.



Storage Combination

The Vari-Cart Hybrid range offer a unique mix of sealed metal drawers or open trays and baskets, giving you flexibility in the stock type you can carry.



Sealed Rear Panel

The sealed rear panel, standard on all Vari-Cart Hybrid models, provides protection to the rear of the cart and ensures access from only one side.



Fully Assembled

The Vari-Cart Hybrid range comes to you fully assembled and ready to roll into use. Simply unpack from the box and your cart can be put into action.

VARI-CART HYBRID - 500 SERIES / SINGLE DRAWER

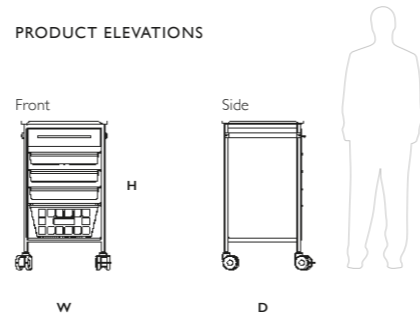


PRODUCT CODE
FW3140-6 Vari-Cart Hybrid (single drawer)

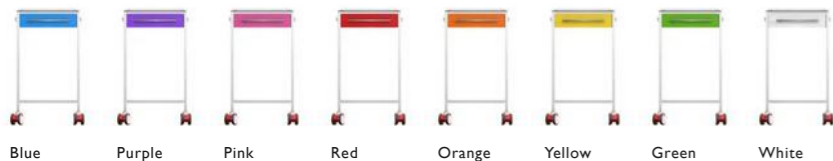
The Vari-Cart Hybrid carts are a versatile storage solution combining drawers and tray space to meet all your different requirements for a piece of equipment.

DIMENSIONS
Height = 920mm Width = 540mm Depth = 540mm

PRODUCT ELEVATIONS

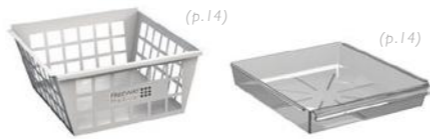


DRAWER COLOURS *(included in price for all hybrid models - FW3140 shown for illustrative purposes)*



Blue Purple Pink Red Orange Yellow Green White

STORAGE TRAY CHOICE *(included in price)*



Double-space metal basket Single-space acrylic tray

VARI-CART HYBRID - 500 SERIES / DOUBLE DRAWER

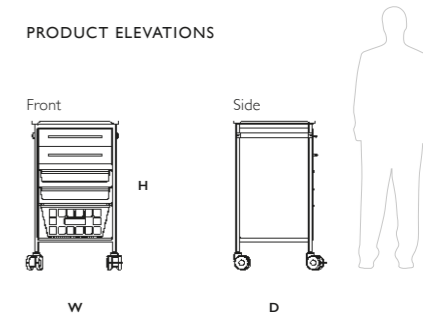


PRODUCT CODE
FW3155-6 Vari-Cart Hybrid (double drawer)

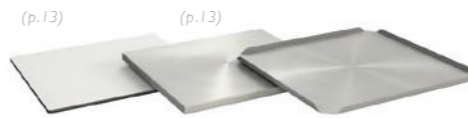
Solid all-metal drawers on the Vari-Cart Hybrid boast detachable drawer face plates to make replacing damaged fronts a simple, end-user job.

DIMENSIONS
Height = 920mm Width = 540mm Depth = 540mm

PRODUCT ELEVATIONS



WORKTOP UPGRADES



Ultra durable Trespa® Stainless steel (capped/raised lip)

DIGITAL LOCK OPTION

Keyless everyday operation with master key for maintenance or forgotten codes.



ALL-METAL DRAWER CONSTRUCTION

Highly durable all-metal drawers as standard with replaceable metal drawer fronts.



VARI-CART HYBRID - 500 SERIES / TRIPLE DRAWER

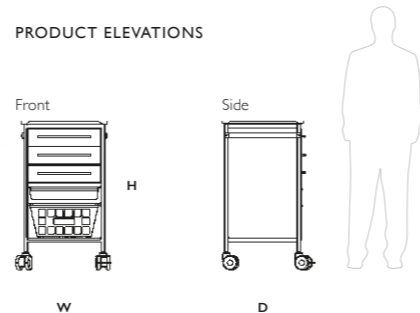


PRODUCT CODE
FW3165-6 Vari-Cart Hybrid (triple drawer)

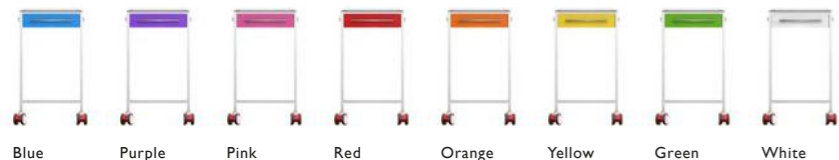
With triple metal-drawers and an additional medical rail to add accessories to, the Vari-Cart Hybrid is incredibly versatile for hospital use.

DIMENSIONS
Height = 920mm Width = 540mm Depth = 540mm

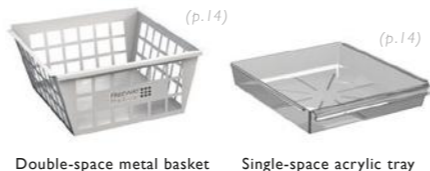
PRODUCT ELEVATIONS



DRAWER COLOURS (included in price for all hybrid models - FW3140 shown for illustrative purposes)



STORAGE TRAY CHOICE (included in price)



VARI-CART HYBRID - 500 SERIES / DOUBLE DRAWER / STORAGE SHELF

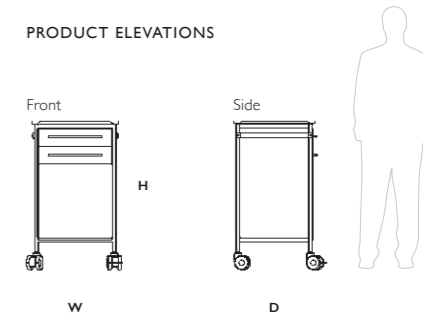


PRODUCT CODE
FW3170-6 Vari-Cart Hybrid (double drawer/storage shelf)

The double drawer and storage shelf option on this Vari-Cart Hybrid demonstrates how adaptable these units can be, catering to your requirements.

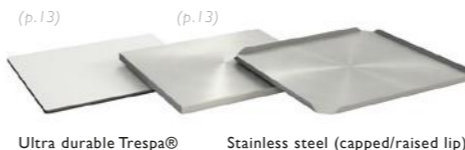
DIMENSIONS
Height = 920mm Width = 540mm Depth = 540mm

PRODUCT ELEVATIONS



*Buckets shown are for demonstrational purposes only and are not included.

WORKTOP UPGRADES



DIGITAL LOCK OPTION

Keyless everyday operation with master key for maintenance or forgotten codes.



ALL-METAL DRAWER CONSTRUCTION

Highly durable all-metal drawers as standard with replaceable metal drawer fronts.





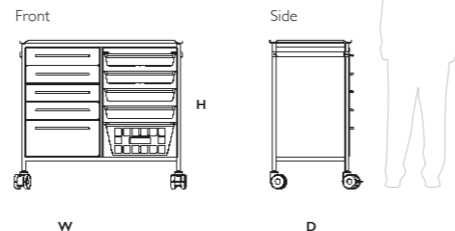
AVAILABLE AS
MIRRORED
VERSION

PRODUCT CODE
FW3235-6 Vari-Cart Hybrid Left (5 drawer)

Choose the colours for your drawers from a selection of 8 colours. Pick all the same colour for a maximum block impact or mix it up with a combination.

DIMENSIONS
Height = 920mm Width = 1030mm Depth = 540mm

PRODUCT ELEVATIONS

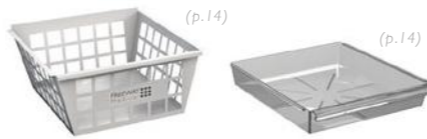


DRAWER COLOURS (included in price for all hybrid models)



Blue Purple Pink Red Orange Yellow Green White Multi

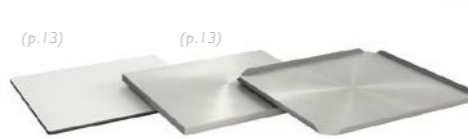
STORAGE TRAY CHOICE (included in price)



Double-space metal basket Single-space acrylic tray



WORKTOP UPGRADES



Ultra durable Trespa® Stainless steel (capped/raised lip)

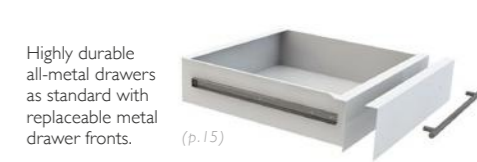
DIGITAL LOCK OPTION



Keyless everyday operation with master key for maintenance or forgotten codes.

(p.18)

ALL-METAL DRAWER CONSTRUCTION



Highly durable all-metal drawers as standard with replaceable metal drawer fronts.

(p.15)

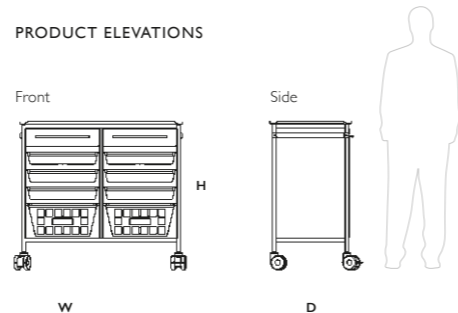


PRODUCT CODE
FW3240-6 Vari-Cart Hybrid (2 drawer)

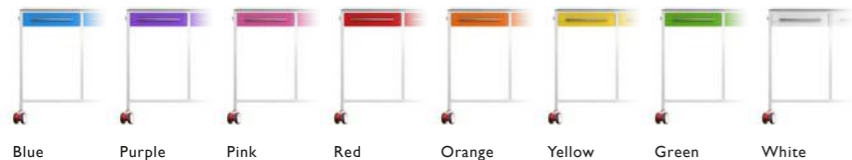
The Vari-Cart Hybrid offers you the unique combination of sealed all-metal drawers, open acrylic trays and metal baskets for carrying all types of stock.

DIMENSIONS
Height = 920mm Width = 1030mm Depth = 540mm

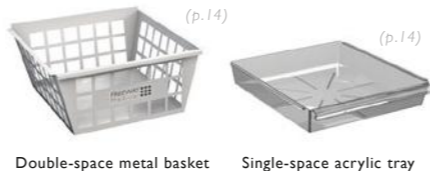
PRODUCT ELEVATIONS



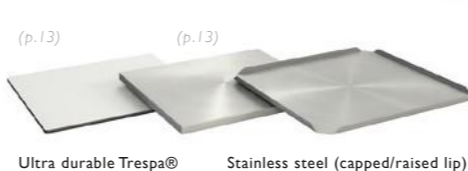
DRAWER COLOURS (included in price for all hybrid models)



STORAGE TRAY CHOICE (included in price)



WORKTOP UPGRADES

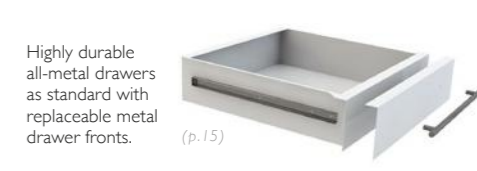


DIGITAL LOCK OPTION

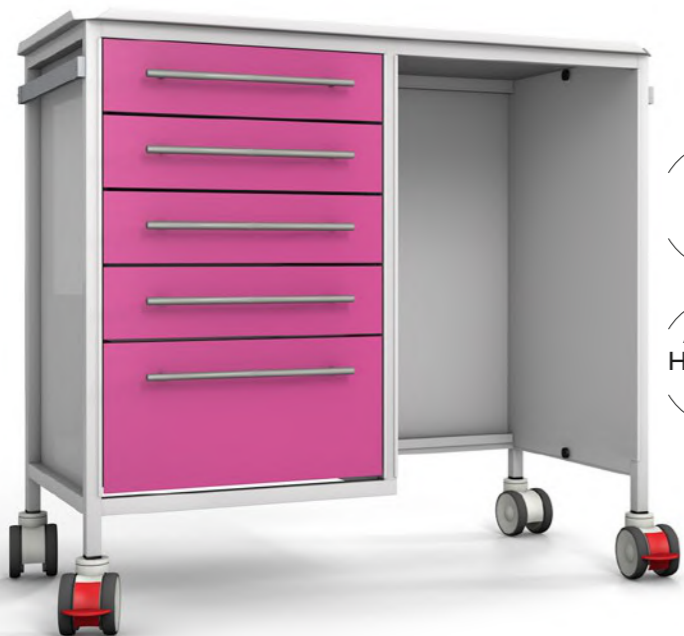


Keyless everyday operation with master key for maintenance or forgotten codes.

ALL-METAL DRAWER CONSTRUCTION



Highly durable all-metal drawers as standard with replaceable metal drawer fronts.



SEAT
STORE
SPACE

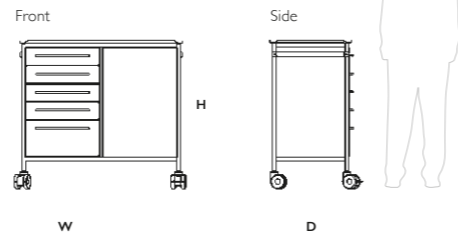
AVAILABLE AS
HANDED
VERSION

PRODUCT CODE
FW3250-6 Vari-Cart Hybrid Left (5 drawer)

Need the storage space as well as a workspace you can seat yourself at? Try our Vari-Cart Hybrid with a space for a stool and space for drawers.

DIMENSIONS
Height = 920mm Width = 1030mm Depth = 540mm

PRODUCT ELEVATIONS



DRAWER COLOURS (included in price for all hybrid models)



Blue Purple Pink Red Orange Yellow Green White Multi

BUILT-IN STOOL SPACE (stool not included)



Create a clutter-free and safer work space by storing a stool directly under the cart's worksurface.

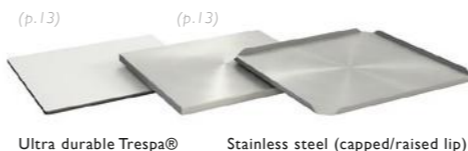
ALL
METAL
DRAWERS



SEALED
REAR
PANEL



WORKTOP UPGRADES



Ultra durable Trespa® Stainless steel (capped/raised lip)

DIGITAL LOCK OPTION



Keyless everyday operation with master key for maintenance or forgotten codes.

ALL-METAL DRAWER CONSTRUCTION



Highly durable all-metal drawers as standard with replaceable metal drawer fronts.



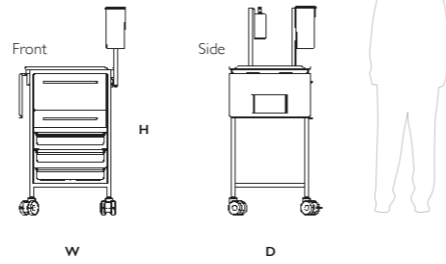
INTEGRATED WASTE BAG HOLDER

PRODUCT CODE
FW3000A Phlebotomy Cart (2 drawer)

Phlebotomy procedures have been kept in mind when designing this cart with an integrated waste bag holder for user ease.

DIMENSIONS
Height = 920mm Width = 540mm Depth = 540mm

PRODUCT ELEVATIONS (excluding accessories)



KEYLESS DIGITAL LOCK (optional)

Keyless everyday operation with master key for maintenance or forgotten codes.



(p.18)



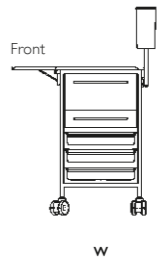
DETACHABLE ACCESSORIES

FOLDABLE SURFACE SAVES SPACE

SPACE-SAVING DROP FLAP
When not in use, the worksurface extension simply folds down 90° to significantly reduce the cart's footprint.

DIMENSIONS (DROP FLAP IN THE RAISED POSITION)
Total cart width = 732mm

PRODUCT ELEVATIONS (excluding accessories)



ALL-METAL DRAWER CONSTRUCTION

Highly durable all-metal drawers as standard with replaceable metal drawer fronts.



(p.15)

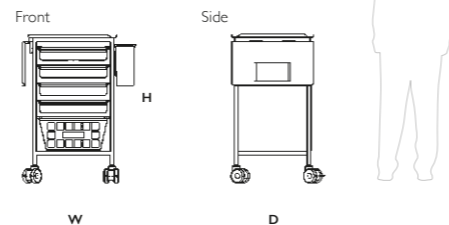


PRODUCT CODE
FW3000B Phlebotomy Cart

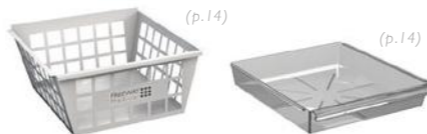
With different tray choice options and detachable accessories, personalise this Phlebotomy Vari-Cart Hybrid to suit whatever stock or medicine you require.

DIMENSIONS
Height = 920mm Width = 540mm Depth = 540mm

PRODUCT ELEVATIONS (excluding accessories)



STORAGE TRAY CHOICE (included in price)



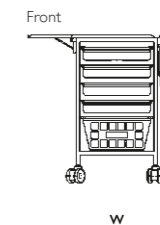
Double-space metal basket Single-space acrylic tray



SPACE-SAVING DROP FLAP
When not in use, the worksurface extension simply folds down 90° to significantly reduce the cart's footprint.

DIMENSIONS (DROP FLAP IN THE RAISED POSITION)
Total cart width = 732mm

PRODUCT ELEVATIONS (excluding accessories)



ALL-METAL DRAWER CONSTRUCTION



Highly durable all-metal drawers as standard with replaceable metal drawer fronts.

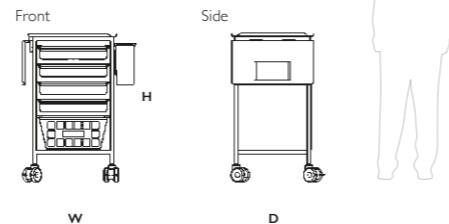


PRODUCT CODE
FW3000C Phlebotomy Cart

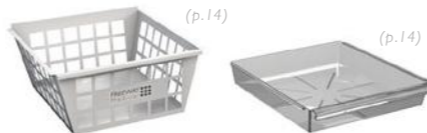
The Phlebotomy Vari-Cart Hybrid has an ingenious foldable surface to save valuable space when in tighter areas of the hospital.

DIMENSIONS
Height = 920mm Width = 540mm Depth = 540mm

PRODUCT ELEVATIONS (excluding accessories)



STORAGE TRAY CHOICE (included in price)



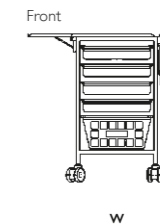
Double-space metal basket Single-space acrylic tray



SPACE-SAVING DROP FLAP
When not in use, the worksurface extension simply folds down 90° to significantly reduce the cart's footprint.

DIMENSIONS (DROP FLAP IN THE RAISED POSITION)
Total cart width = 732mm

PRODUCT ELEVATIONS (excluding accessories)



ALL-METAL DRAWER CONSTRUCTION

Highly durable all-metal drawers as standard with replaceable metal drawer fronts.



Freeway Medical

Unit 15-16,
Colthrop Business Park,
Colthrop Lane, Thatcham,
Berkshire, RG19 4NB.

Tel: 01635 866 717

Fax: 01635 866 347

Web: freewaymedical.co.uk

Email: sales@freewaymedical.co.uk