

WATER SUPPLY & PRESSURE PUMPS

Jet Pumps

INOX SERIES

AVAILABLE WITH PRESSURE CONTROLLER



EURO RANGE

APPLICATION

Self-priming centrifugal pump for water supplies (even if mixed with air) in small household systems, connected to pressure tanks for transferring liquids and emptying tanks; used in medium sized industrial applications and for gardening.

CONSTRUCTION FEATURES

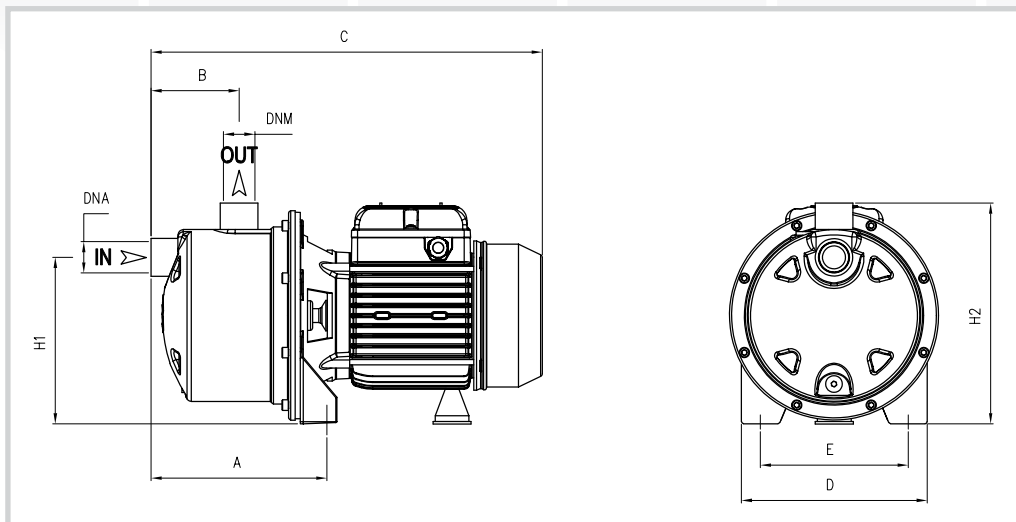
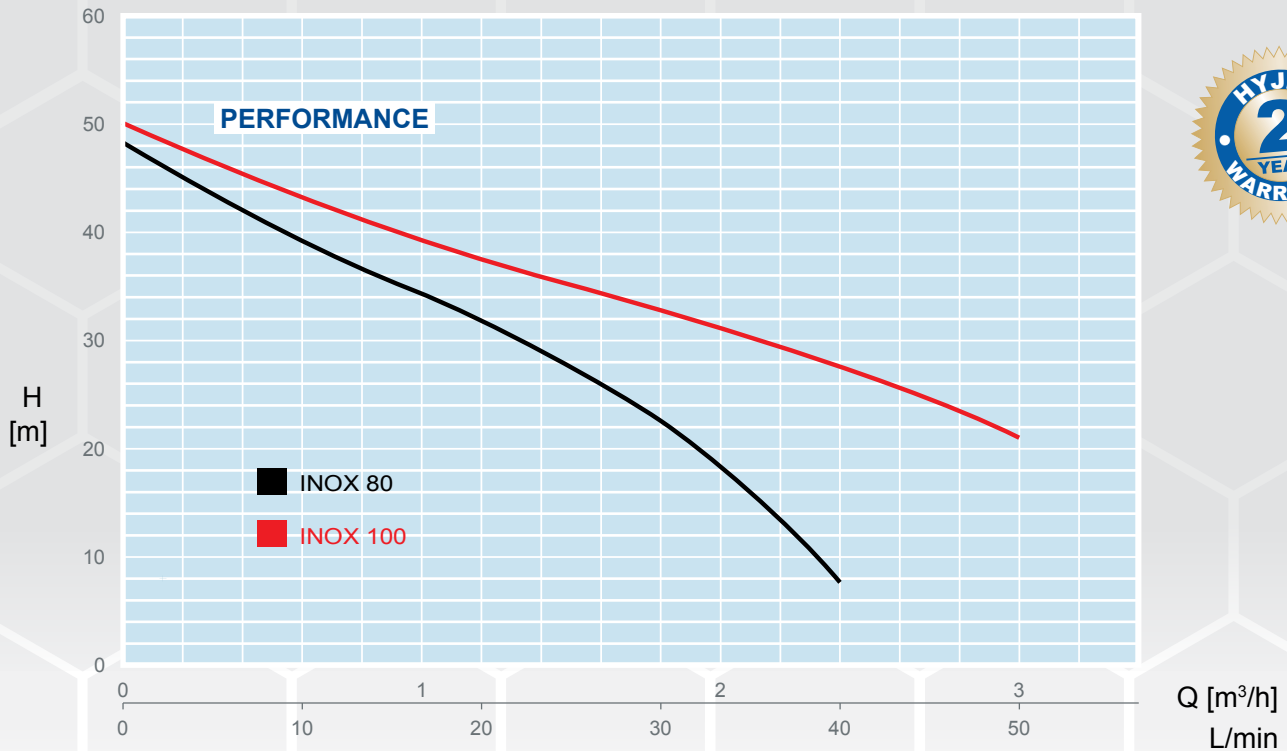
Pump body	Stainless steel AISI 304
Motor bracket	Aluminium
Impeller	Noryl®, AISI 304 (80-100) Noryl®, (R, 100N-140)
Mechanical seal	Ceramic-graphite
Motor shaft	Stainless steel AISI 416
Liquid temperature	0 - 40 °C
Operating pressure	Max 6 bar (80-100)

MOTOR

2 Pole induction motor	1~ 240V-50Hz With thermal protection
Insulation class	F
Protection degree	IP44

TECHNICAL DATA

Type		P2		P1 (kW)		Ampere		Q (m³/h - l/min)					
1~	3~	(HP)	(kW)	1~	3~	1~	3~	0	0.6	1.2	1.8	2.4	3
						50 Hz	50 Hz	0	10	20	30	40	50
								H (m)					
INOX80	INOXT80	0.8	0.59	0.79	0.79	3.7	1.4	48.5	39	32	22.4	7.6	-
INOX100	INOXT100	1	0.74	0.98	1	4.6	2.2	50	43	38	32	28	21



DIMENSIONS

Type	Dimensions (mm)													
	A	B	C	D	E	1H	H2	DNA	DNM	I	L	M		
INOX80	165	79	360	175	140	150	199	1" G	1" G	400	210	2235	8.5	
INOX100	165	79	360	175	140	150	199	1" G	1" G	400	210	235	10	

MODEL RANGE

Code	Description
INOX80	HYJET 0.59 KW 240V 40 L/min SS304 Jet Pump
INOX100	HYJET 0.74 KW 240V 60 L/min SS304 Jet Pump
INOX80-PC	HYJET 0.59 KW 240V 40 L/min SS304 Jet Pump with HPC22 Pressure Controller
INOX100-PC	HYJET 0.74 KW 240V 60 L/min SS304 Jet Pump with HPC22 Pressure Controller

WATER SUPPLY & PRESSURE PUMPS

Jet Pumps

INOX SERIES

AVAILABLE WITH PRESSURE CONTROLLER



EURO RANGE

APPLICATION

Self-priming centrifugal pump for water supplies (even if mixed with air) in small household systems, connected to pressure tanks for transferring liquids and emptying tanks; used in medium sized industrial applications and for gardening.

CONSTRUCTION FEATURES

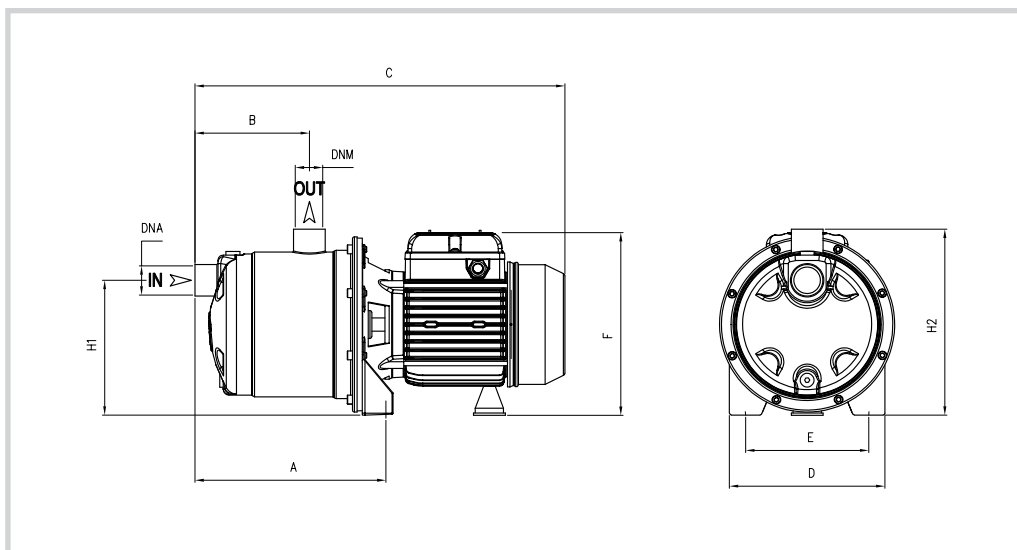
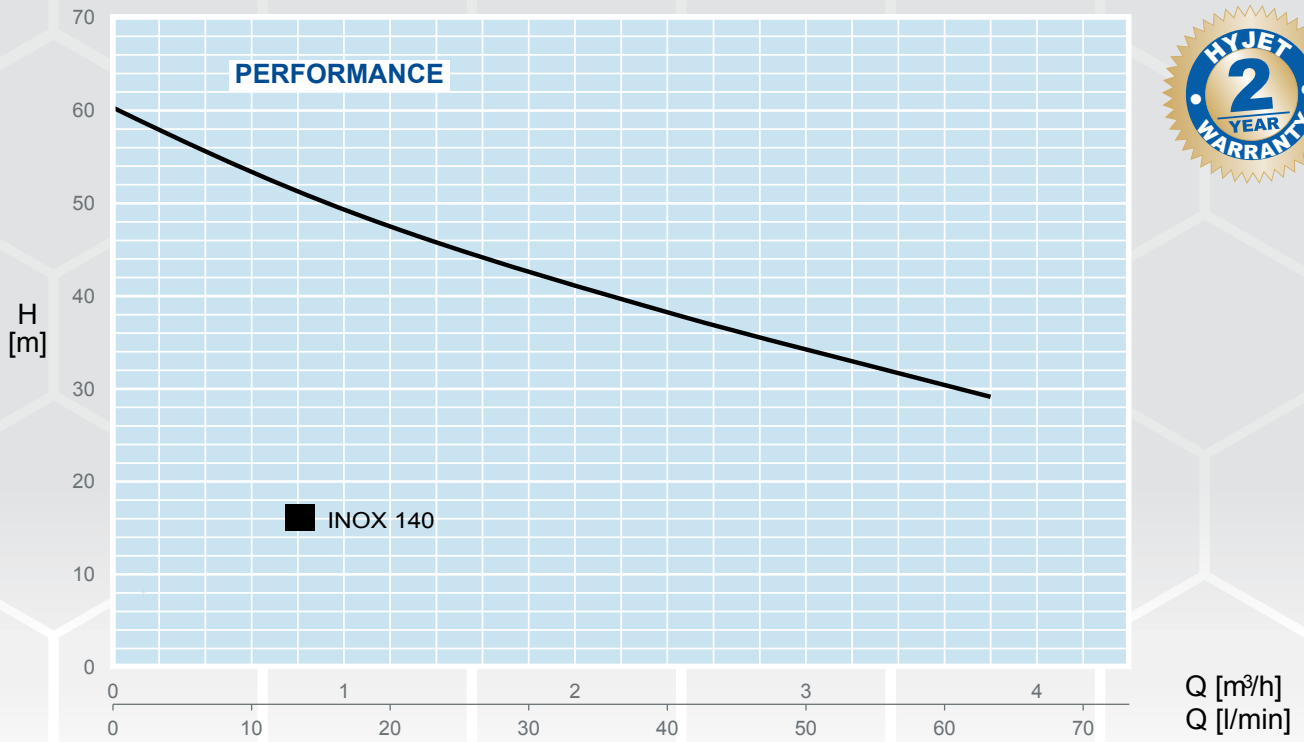
Pump body	Stainless steel AISI 304
Motor bracket	Aluminium
Impeller	Noryl®, AISI 304 (80-100) Noryl®, (R, 100N-140)
Mechanical seal	Ceramic-graphite
Motor shaft	Stainless steel AISI 416
Liquid temperature	0 - 40 °C
Operating pressure	Max 6 bar (80-100)

MOTOR

2 Pole induction motor	1~ 240V-50Hz With thermal protection
Insulation class	F
Protection degree	IP44

TECHNICAL DATA

Type		P2		P1 (kW)		Ampere		Q (m³/h - l/min)							
1~	3~	(HP)	(kW)	1~	3~	1~	3~	0	0.6	1.2	1.8	2.4	3	3.6	3.8
						50 Hz	50 Hz	0	10	20	30	40	50	60	60.3
								H (m)							
INOX140	INOXT140	1.5	1.1	1.3	1.23	6	2.5	60.2	53.6	47.8	42.4	38.0	34.4-	30.5	29.0



DIMENSIONS

Type	Dimensions (mm)													
	A	B	C	D	E	F	H1	H2	DNA	DNM	I	L	M	
INOX140	165	79	360	175	140	175	150	199	1"G	1"G	400	210	235	11.5

MODEL RANGE

Code	Description
INOX140	HYJET 1.1 KW 240V 65 L/min SS304 Jet Pump
INOX140-PC	HYJET 1.1 KW 240V 65 L/min SS304 Jet Pump with HPC22 Pressure Controller