

SPECIFICATIONS

Short Form Specs

Winston Collectramatic high efficiency pressure fryer, model LP46 or LP56 with 8-channel processor controls and 330mm deep collector, which allows up to 163kg. of chicken (or equivalent) to be cooked without manual filtration or emptying collector. Utilise quarter rack basket to maintain separation of product during cooking.

Construction

Control Computerised processor control with eight programmable channels.

Capacity LP46
4 Head - 6.35 kg product
28.8 kg or 30.85L cooking oil

LP56
6 Head - 8.2 kg product
33.8 kg or 36.15L cooking oil

Electrical Refer to wiring schematic included in equipment for installation assistance. Cord/Plug not included. Shipped wired for 3-phase application. Licensed electrician may be required. Check local codes.

Materials To be 16 - 20 gauge stainless steel mounted on four adjustable legs. Cooking vessel to be constructed of stainless steel.

Insulation Full 38mm insulation around the cooking vessel.

Load Limits Maximum of 6.35kg. (LP46) or 8.2kg. (LP56) of frozen or refrigerated chicken, fish, meats, or vegetables per load.

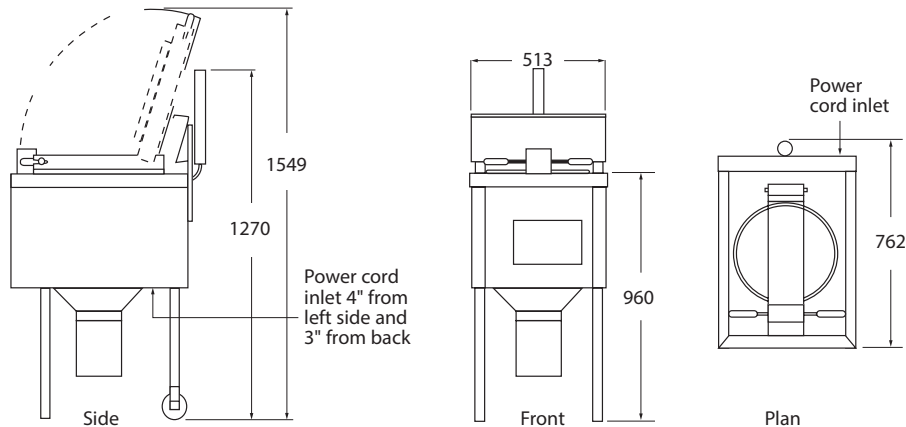
Installation Requirements Ventilation required. Check local codes.



LP46 & LP56
COLLECTRAMATIC®
HIGH EFFICIENCY FRYER
8-Channel Programmable Controls



Collectramatic High Efficiency Pressure Fryers are the workhorses of any kitchen and can cook up to 120 deliciously golden-brown fried chickens without filtration.



capacity	size mm	volts	hertz	ph	amps	watts	circuit amps	ship wt. kg	ship cube
LP46 4 Head 6.35 kg product 28.8 kg or 30.85L cooking oil	H= 1270								
	H2= 1549								
	W= 513								
	D= 762								
INTERNATIONAL									
		400*	50	3	15.5	10500	25	86	0.57
LP56 6 Head 8.2 kg product 33.8 kg or 36.15L cooking oil	H= 1270								
	H2= 1549								
	W= 513								
	D= 762								
INTERNATIONAL									
		400*	50	3	15.5	10500	25	94	0.57

H= Height w/lid closed • H2= Height w/lid open • Includes: 1 clamshell basket, 1 drain hook, 1 pair gloves, 1 spatula, 2 collector gaskets, 2 lid gaskets, 1 Teflon® brush, 1 long collector, 1 heat plate • Cord and plug not included

OPERATIONAL EXCELLENCE the Collectramatic fryer has the largest cold zone in the industry and can perform 20-30 cook cycles without filtration, which extends shortening life and reduces filtering downtime. If speed of service is important, the fryer's heat curve can be adjusted to cook up to 8.2kg. of fried chicken in as little as ten minutes. Utilising Winston's Quarter Rack basket system improves labor efficiencies because the chicken is cooked on racks and moved directly into the holding cabinet with minimal handling.

EASY-TO-USE CONTROLS standard to all Collectramatic fryers is a microprocessor control, which never requires calibration for accuracy. Within any of the eight channels, up to six temperatures and multiple time settings can be programmed per cook cycle. The controller also offers "Flex-Time" for varying sized products and a shortening management system.

BUILT TO LAST WITH QUALITY CRAFTSMANSHIP, the cylindrical cooking pot of the Collectramatic fryer is constructed to last for many years. Each fryer is built with high grade stainless steel and uses very few moving parts.

WARRANTY. Limited one year warranty. Warranty disclaimer for failure to clean. Ask for complete warranty disclosure.

SPECIFY THE FOLLOWING WHEN ORDERING:

Standard (No additional cost):

1. Model number.
2. All units shipped 3-phase.
Cordset is not included.

Standard (No additional cost):

- | | |
|---------------------|------------------|
| 1 Clamshell basket | 1 Drain Hook |
| 2 Collector gaskets | 1 Heat plate |
| 2 Lid gaskets | 1 Teflon® brush |
| 1 Spatula | 1 Long collector |

Accessories & Supplies (Additional cost):

- | | |
|-----------------------------------|---|
| PS1180 Utensil rack | PS1290 Open basket |
| PS2838 Qtr rack basket, 4-hd | PS1875 Basket lift assist |
| PS2839 Qtr rack basket, 6-hd | PS2837/1 Qtr rack basket shelf |
| PS2837/10 Qtr rack basket shelves | PS3120 Store accessory kit - plugging tool and displacer tool |
| PS2837/25 Qtr rack basket shelves | |
| PS2837/50 Qtr rack basket shelves | |

BUY WINSTON SERVICE PARTS, ACCESSORIES, AND SUPPLIES ONLINE!

Factory direct at winstonind.com/buyparts