



# POWERREX SL6000A

6 ton four post Alignment lift with two jack for wheel free operation

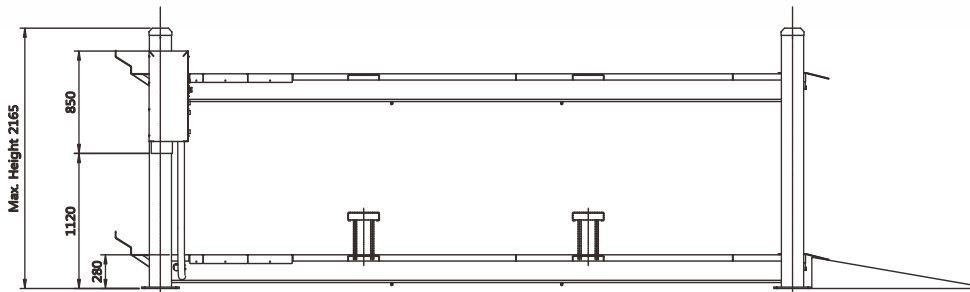
Manufactured In Korea, the Powerrex SL6000A 4 Post vehicle hoist is a Wide Body Wheel Alignment Hoist with a 6 Tonne Lift Capacity. The SL6000A includes Turntable Recesses & Rear Slip Plates for Wheel Alignment. Jacking bridges are also included, permitting the operator to lift the wheels free of the platform.



## Feature

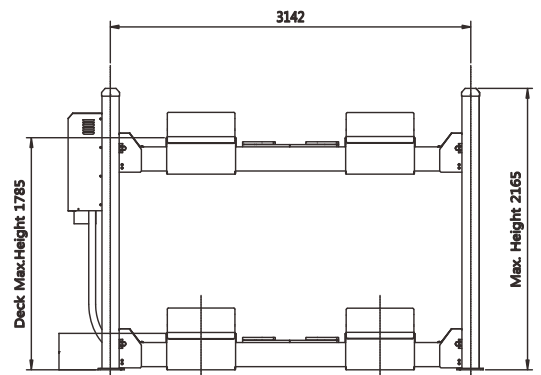
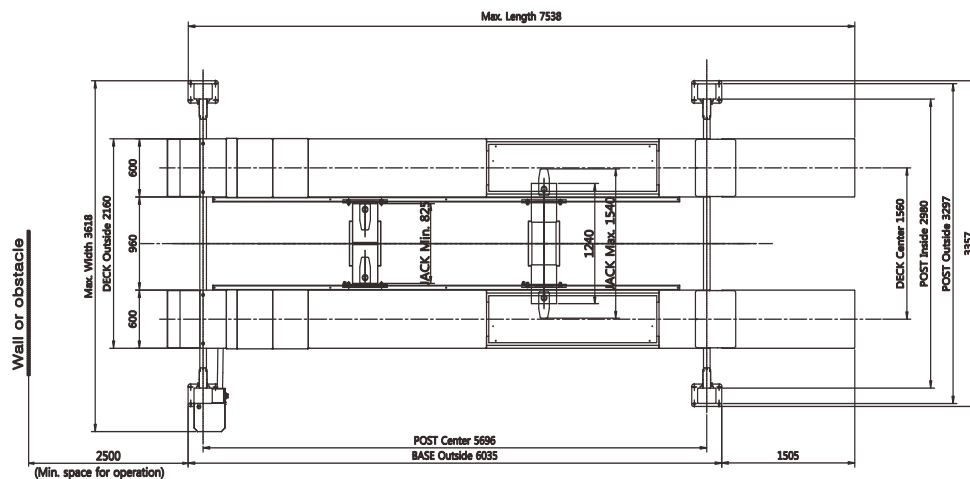
- 6 Tonne Lift Capacity
- "Extra" Wide between posts
- Lift Height of 1848mm
- Safety Lock On Each Post
- Turntable Recesses
- Built In Rear Slip Plates
- Cable Remote Control
- Powder Coat Finish
- 2x3 Tonne Jacking Bridges

## Dimension



## Specification

MAX. Capacity	MAIN	6000kg	JACK	3000kg
MAX. Lifting Height	MAIN	1785 mm	JACK	560mm
Lowest Height	MAIN	280 mm	JACK	230mm
Size(mm)	3,618WX2,165HX7,538L			
Power & Motor	3phase 3HPx5Px380V 415Vx50/60Hz			
Operation method	Control panel & wired remote control type			



**INTEREQUIP**  
INTEREQUIP PTY LTD.

[www.interequip.com.au](http://www.interequip.com.au)  
E-mail: [info@interequip.com.au](mailto:info@interequip.com.au)  
TEL: Australia 18000EQUIP (1800 037 847)