

Europa Leonardo GAS Deck Oven

Description

New Generation Steam Tube Deck Ovens, designed to reduce consumption over 30% when compared with ordinary steam tube ovens (with bricks), without compromising quality. With excellent baking performances on both small and large pieces, ideal for artisan production or industrial baking process with automatic loading systems.

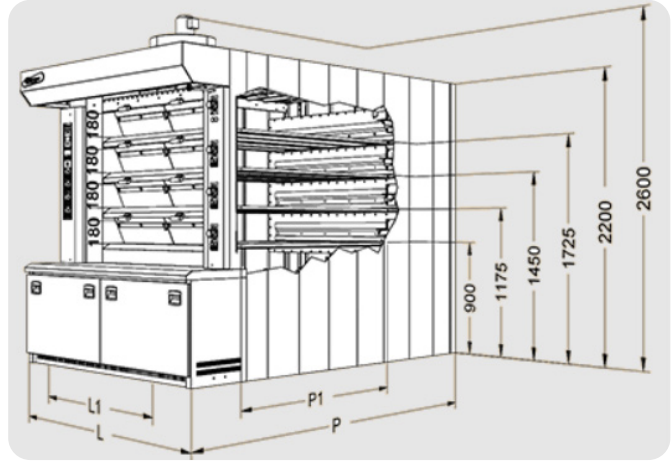
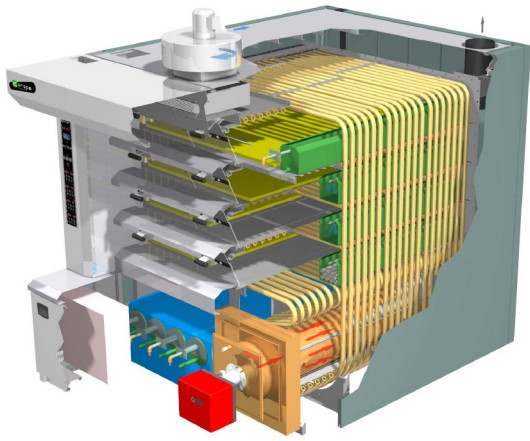
Today, with the new line of LEONARDO steam tube ovens, we are sure we can offer a leading product, improved in all points and considered, even by the most demanding customers, a real value added to their companies.

Main Characteristics:

- 3 decks oven, with 2 doors of 620 mm for each deck
- Front and sensitive parts made of stainless steel
- The tubes (35 mm diameter and 5,5 mm thickness) are individually tested at a pressure of 600 ATM (about 3 times the normal running pressure)
- Oven in accordance with the rules in force in the European Community
- Components of small dimensions permitting access into any kind of room
- Refractory steel firebox, with adjustable sectors
- High thermal efficiency floors (patented)
- Consumptions up to 40% lower than a steam tube deck oven with masonry furnace (with same configuration and baking surface)
- Two lamps for each deck
- All maintenance operations can be carried out from the front or from the upper part of the oven
- Upper covering
- Very good heat insulation by rock wool panels
- Auto-balanced glass hatches, easy to disassemble, equipped with stainless steel handles for a manual opening and closing
- Burner support equipped with an anti-explosion device
- Independent steam system for each deck with a regular and uniform steam distribution
- Gas or gas-oil feeding
- Hood equipped with steam exhauster



Europa Leonardo GAS Deck Oven



Europa Leonardo GAS Deck Oven Specifications

MODEL	Dimensions						Decks Nr.	Doors Nr.	Doors Width	Bake Area M ²	Power				
	Chamber		External								Thermal		Elec Kw	C/h*	
	L1	L2	L	P	L	P					kcal/h	Kw			Btu/H
	mm	mm	mm	mm	mm	mm									
L3206	1240	1620	1920	2800	400	790	3	2	620	6	50.000	58	200.000	1.5	20.000
L3207		2020		3200						7.5	60.000	70	240.000	1.5	24.000
L3209		2420		3600						9	70.000	80	280.000	1.5	28.000
L3309	1860	1620	2540	2800	400	790	3	3	620	9	70.000	81	280.000	1.5	28.000
L3311		2020		3200						11.3	70.000	81	280.000	1.5	28.000
L3313		2420		3600						13.5	80.000	93	320.000	1.5	32.000
L3316		2820		4000						15.7	80.000	93	320.000	1.5	32.000
L3412	2480	1620	3160	2800						12	80.000	93	320.000	1.5	32.000
L3415		2020		3200						15	90.000	104	360.000	1.5	36.000
L3418		2420		3600	400	790	3	4	620	18	90.000	104	360.000	1.5	36.000
L3421		2820		4000						21	100.000	116	400.000	1.5	40.000
L3224		3220		4400						23.9	100.000	116	400.000	1.5	40.000
L4208	1240	1620	1920	2800	400	790	4	2	820	8	70.000	81	280.000	1.5	28.000

Europa Leonardo GAS Deck Oven

MODEL	Dimensions						Decks Nr.	Doors Nr.	Width	Bake Area M ²	Power				
	Chamber		External								Thermal			Elec Kw	C/h*
	L1	L2	L	P	L	P					kcal/h	Kw	Btu/H		
	mm	mm	mm	mm	mm	mm								Kw	Kcal/h
L4210		2020		3200						10	80.000	93	320.000	1.5	32.000
L4212		2420		3600						12	80.000	93	320.000	1.5	32.000
L4312	1860	1620	2560	2800	400	790	4	3	620	12	32.000	93	320.000	1.5	32.000
L4315		2020		3200						15	90.000	104	360.000	1.5	36.000
L4318		2420		3600						18	90.000	104	360.000	1.5	36.000
L4321		2820		4000						21	100.000	116	400.000	1.5	40.000
L5107	820	1620	1350	2800	400	680	5	1	820	6.6	40.000	46	160.000	1.5	16.000
L5108		2020		3065						8.3	50.000	58	200.000	1.5	20.000
L5110		2420		3465						9.9	60.000	70	240.000	1.5	24.000
L-FR3207	1560	1620	1350	2665	400	7900	3	1	780	7.5	70.000	81	280.000	1.5	28.000
L-FR3209		2020		3200						9.3	80.000	93	320.000	1.5	32.000
L-FR3211		2420		3600						11.2	80.000	93	320.000	1.5	32.000
L-FR3211	1560	1620	2540	2800	400	790	3	3	780	11.4	70.000	81	280.000	1.5	28.000
L-FR3314		2020		3200						14.2	80.000	93	320.000	1.5	32.000
L-FR3317		2420		3600						17	90.000	104	360.000	1.5	36.000
L-FR4210	1560	1620	2540	2800	400	790	4	2	780	10.1	70.000	81	280.000	1.5	28.000
L-FR4212		2020		3200						12.6	80.000	93	320.000	1.5	32.000
L-FR4215		2420		3600						15.1	90.000	104	360.000	1.5	36.000