

Winterhalter UC-S Excellence i

Depending on the application, the UC machines are available in four different basic versions: glass washer, dish washer, bistro and cutlery washer.

Features:

Integrated reverse osmosis

- Multi function touch screen control
- Temperature display
- Records of accumulated operating data
- Fault diagnosis system with error code, error memory and diary
- Hygiene logbook with data memory
- Guided self cleaning programme
- Time controlled automatic start-up
- Deep-drawn tank with hygienic tank heater
- Drain pump
- Quadruple wash water filtration system with clouding sensor
- VarioPower ware washing system: Maximum coverage with adjustable water pressure and optimized jets
- Removable, quick release elliptical wash fields
- Double skinned housing & door
- PVC back panel (stainless steel optional)
- Detergent & rinse aid containers
- Detergent & rinse aid dosing device
- Door safety switch
- Under counter or stand mounted



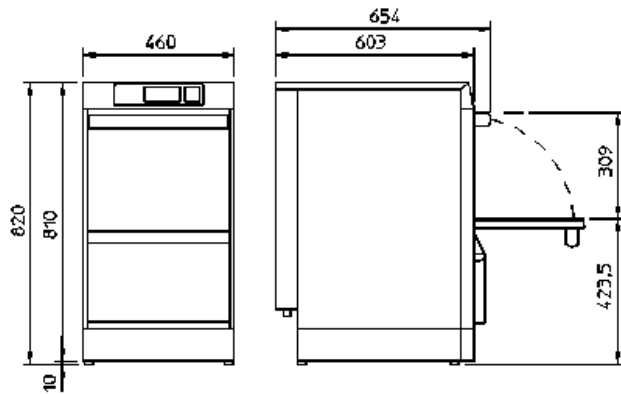
Your benefits are:

- Polish free wash glasses/cutlery
- Low operating costs
- Easy operation
- Energy efficiency
- Short wash-cycle-time
- Modern and compatible design
- High service friendliness

Options:

- Suction pipes with level control
- Alternative rack equipment
- Variety of stands and plinths
- Seven different front designs
- Glass door with blue lighting

Winterhalter UC-S Excellence i



Dimensions

Width x depth:	460 x 603 mm
Height Excellence i	820 – 855 mm* ²
Depth with door open:	940 mm
Rack dimensions:	400 x 400 mm
Clear entry height:	309 mm
Water connection:	G 3/4"
Waste water connection:	ø 39.7 mm

General data

Weight Standard (net / gross):	59 / 68 kg
--------------------------------	------------

Tank capacity:	9.5 l
Circulating pump (depends on selected progr.):	176 l/min
Noise emission (depends on selected progr.):	max. 57 dB(A)
Splash guard:	IPX3 (plastic rear panel) IPX5 (stainless steel r.p.)

Max. theoretical capacity

Glass washer:	77 / 48 / 32 / 22 (racks / h)
Dishwasher:	66 / 40 / 28 / 24 (racks / h)
Bistro dishwasher:	66 / 40 / 32 / 28 (racks / h)
Cutlery dishwasher:	21 / 11 (racks / h)

Rinse water consumption (depends on programme)

Glass-, dish- and bistro dishwasher:	2.4 l per rack
Cutlery dishwasher:	3.4 l per rack

Cycle duration

Glass washer:	47 – 163 sec.
Dishwasher:	54 – 150 sec.
Bistro dishwasher:	54 – 128 sec.
Cutlery dishwasher:	171 – 327 sec.

Water connection

Flow pressure:	1.0 – 6.0 bar
----------------	---------------

Excellence-i / -iPlus:	1.4 – 6.0 bar* ²
Flow rate:	at least 4 l/min.

Water inlet temp.	
Excellence-i / -iPlus:	max. 35 °C* ²

Electrical values

380 - 415 V / 3N~	20 A	2.0 kW	9.7 kW	7.1 kW	600 W	Australia
380 - 415 V / 3N~	15 A	2.0 kW	7.7 kW	7.1 kW	600 W	
220 - 240 V / 1N~	20 A	2.0 kW	4.1 kW	3.5 kW	600 W	
220 - 240 V / 1N~	15 A	2.0 kW	2.9 kW	2.3 kW	600 W	