

The Australian owned and designed* Trueheat RC Series of Gas Cooking Equipment has been developed for the restaurant and cafe market with a high quality finish, designed to fulfill the busy demands within a commercial kitchen.

The RCF4 fryer is a high quality economical open pot design model. Its premium fast action thermostat allows for oil temperature to quickly recover. It is durable and matches seamlessly with the Trueheat RC series. It's 18 litre capacity makes it ideal for small to medium sized restaurants, cafes and fast food outlets. It's 100mj capacity combined with front mounted high quality thermostat produces 26kg of fries per hour. Stainless steel construction with premium higher grade stainless frypot. 1 1/4" drain.

Note: This fryer is not suitable for plinth mounting.

STANDARD FEATURES

- Open Pot Design
- Premium fast action Fenwal thermostat
- 18 litre capacity
- Two Baskets included
- Piezo Ignition
- Stainless steel cabinet construction
- Drain extension pipe
- Clean out rod
- Stainless Steel frypot night cover

DIMENSIONS & WEIGHT

External Dimension: 400W x 803D x 1235H mm (includes flu deflector)

Net Weight: 65kg

Drain Height: 400mm

TECHNICAL DATA

Gas Type: Natural, Propane, Universal LP

Total Output(MJ/hr):	Natural Gas	Propane Gas
	100	92

Production: 26kg per hour (chips from frozen)

AGA approval number: AGA8562G

Gas Connection: 1/2" Female

SHIPPING DATA

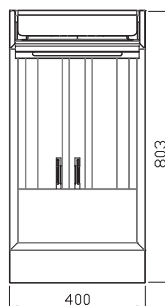
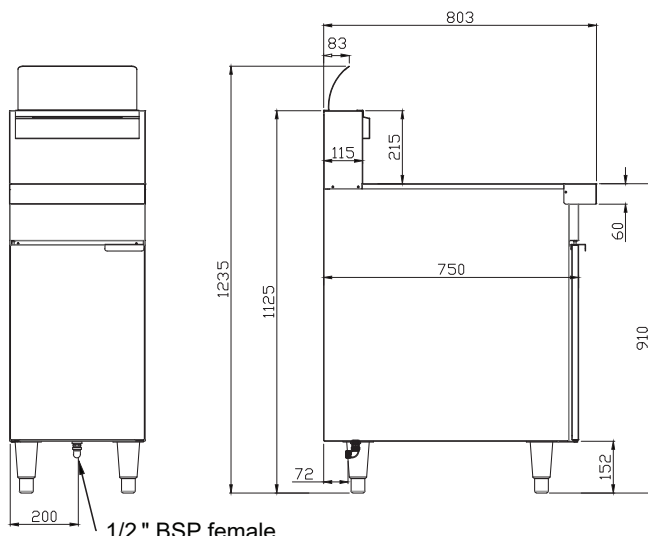
Shipping Weight: 81kg

Shipping Dimensions: 490W x 900D x 1260H mm

OPTIONAL ACCESSORIES

Part Number:	Description:
B18120	Fry Basket
S51058	Stainless Steel Fish Plate
8100357	Front Castor Swivel with brake
8100378	Rear Castor Fixed without brake
S37416	Fryer Joining Cap
S37417	Fryer Splash Shield
432018-900HK	900mm 3/4 flexible gas hose with quick connect fittings and restraint
432018-1200HK	1200mm 3/4 flexible gas hose with quick connect fittings and restraint

SPECIFICATIONS ARE SUBJECT TO CHANGE WITHOUT NOTICE.



**INDUSTRY
KITCHENS**

www.industrykitchens.com.au 1800 611 058

*manufactured in China



National Head Office
156 Swann Drive
Derrimut VIC 3026
Tel: +61 3 8369 4600
Fax: +61 3 8369 4699
www.comcater.com.au

Melbourne
96-100 Tope Street
South Melbourne VIC 3205
Tel: +61 3 8699 1200
Fax: +61 3 8699 1299

Sydney
20/4 Avenue of the Americas
Newington, NSW 2127
Tel: +61 2 8775 9500
Fax: +61 2 9648 4762

Brisbane
1/62 Borthwick Avenue
Murarie QLD 4172
Tel: +61 7 3900 2700
Fax: +61 7 3399 5311

Perth
Unit 16, 7 Abrams Street
Balcatta, WA 6021
Tel: +61 8 6217 0700
Fax: +61 8 6217 0799