



Model: CE10SN13DNO

Features

- U type design for easier installation and detection
- Be able to detect various media via nonmetallic container;
- Widely applied in container detecting;

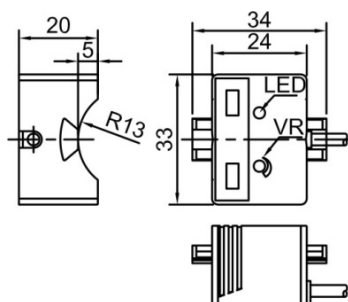
Part Number

NPN NO	CE15SN26DNO	PNP NO	CE15SN26DPO
NPN NC	CE15SN26DNC	PNP NC	CE15SN26DPC

Technical Specifications

Mounting	Non-flush	Consumption Current	≤15mA
Reted Distance[Sn]	Circuit Protection	Short-circuit, overload and Reverse polarity
Assured Distance[Sa]	Output Indicator	Yellow LED
Dimensions	34*33*20mm	Ambient Temperature	-10℃...55℃
Output	NO/NC(depends on part number)	Ambient Humidity	35-95%RH
Supply Voltage	10...30VDC	Switching Frequency[F]	60Hz
Applicable pipeline	Non-metal, O. D.:∅ 12...26; Wall thickness	Voltage Withstand	500V/AC 50/60Hz 60S
Switch-point Drifts[%/Sr]	≤1.0mm	Insulation Resistance	≥50MΩ(500VDC)
Hysteresis Range[%/Sr]	≤±20%	Vibration Resistance	10...50Hz(1.5mm)
Repeat Accuracy[R]	3...20%	Degree of Protection	IP67
Load Current	≤3%	Housing Material	PBT
Residual Voltage	≤200mA	Connection Type	2m PVC cable

Dimensions



Wiring Diagram

