

# W07L100-PCT1

## 7" Multi-Touch Chassis Display



### KEY FEATURES

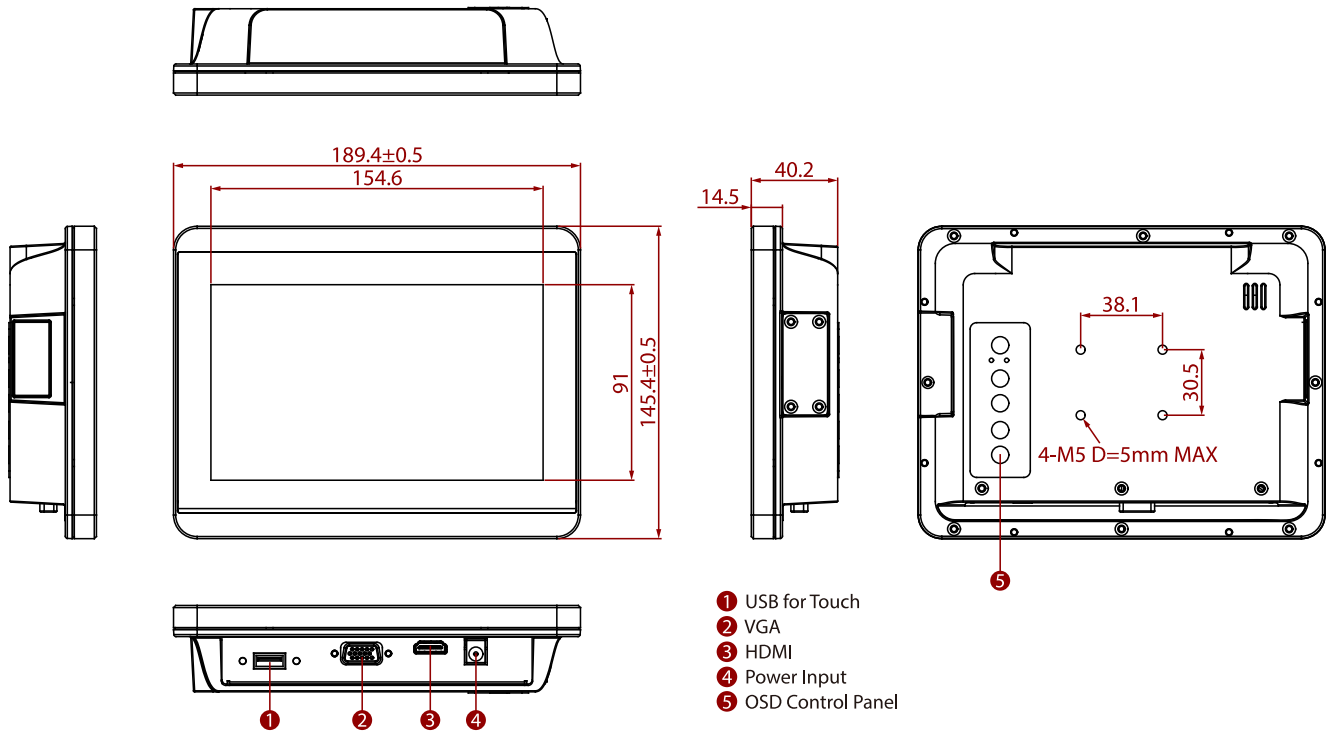
- 7" 1024 x 600 Resolution, Multi-Touch Chassis Display
- Projected Capacitive Multi-Touch (P-Cap)
- Front IP65 Water and Dust Proof
- VGA input and variety of optional connectors
- USB port for touch
- Stylish and elegant design



### SPECIFICATIONS

| Display             |  |                       |  |
|---------------------|--|-----------------------|--|
| Resolution          | 1024x600   | Size                  | 7.0 inches   |
| Contrast Ratio      | 1000:1   | Panel Brightness      | 320.0 nits   |
| Display Color       | 16.7M Colors   | View Angles           | 75,75,75,70  |
| Active Area         | 153.6x90 mm  | Touch / Glass         | Projected Capacitive Multi Touch Screen              |
| Environment         |  |                       |  |
| Operating Humidity  | 10% to 90% RH, Non-Condensing  | Operating Temperature | 0°C to 50°C  |
| Storage Temperature | -10°C to 60°C  |                       |  |
| Certification       |  |                       |  |
| Certification       | CE, FCC  |                       |  |
| IO Ports            |  |                       |  |
| USB Port            | 1 x USB for Touch Screen   | Video                 | 1 x VGA<br>1 x HDMI (Optional)<br>1 x DVI (Optional) |
| Audio               | 1 x Speaker (Optional)   |                       |  |
| Mechanical          |  |                       |  |
| Dimension           | 189.4 x 145.4 x 39.8 mm  | Weight                | 0.68 kg  |
| Mounting            | VESA Mount   | Enclosure             | Metal  |
| Cooling System      | Fanless Design   |                       |  |
| Accessory           |  |                       |  |
| Accessory           | 1 x VGA cable<br>1 x HDMI cable<br>100~240V AC to DC Adapter<br>Power Cord<br>Manual<br>VESA screws(Varies by product) | Optional Accessory    | Remote Controller (Optional,Varies by product)       |
| Power               |  |                       |  |
| Power Rating        | 12V DC in  |                       |  |
| Control             |  |                       |  |
| Button              | 5 Keys: -, +, Power, Esc, Enter  |                       |  |

## DIMENSIONS UNIT:MM



## NOTE

1. This is a simplified drawing and some components are not marked in detail.
2. When with HDMI outside dimension and I/O will be different from standard.
3. Please contact our sales representative if you need further product information.
4. All specifications are subject to change without prior notice.
5. The product shown in this datasheet is a standard model. For diagrams that contain customized or optional I/O, please contact the Winmate Sales Team for more information.