

10Kg Payload Long Reach SCARA Robot

ECT10

■ **Increased Payload Capacity**

Supports Rated 5kg and up to 12kg

■ **Long reach**

Long reach of 800/1,000mm

■ **Selectable vertical axis length**

Selectable from 200/300mm

■ **Equipped with LAN cable
as standard equipment**



Basic Specification of Robot

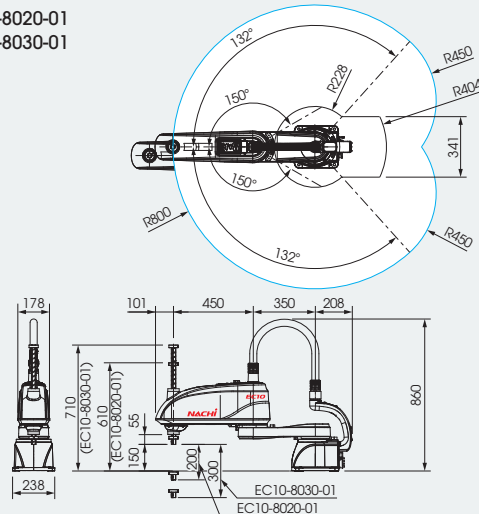
Item	Specification			
Model	EC10-8020-01	EC10-8030-01	EC10-A020-01	EC10-A030-01
Structure	Horizontal articulated type			
Axis	4			
Drive System	AC servo motor			
brake	J1, J2, J4: without brake J3: with brake			
Maximum motion range	J1	±2.30rad (±132°)		
	J2	±2.61rad (±150°)		
	J3 (Clean specification)	200mm	300mm	200mm 300mm
	J4	±6.28rad (±360°)		
Maximum Velocity ¹	J1+J2 (With 12 kg)	9,700mm/s (6,900mm/s)		9,000mm/s (7,000mm/s)
	J1 (With 12 kg)	5.93rad/s (340°/s) (4.19rad/s (240°/s))		5.24rad/s (300°/s) (3.67rad/s (210°/s))
	J2 (With 12 kg)	11.00rad/s (630°/s) (8.03rad/s (460°/s))		10.82rad/s (620°/s) (7.50rad/s (430°/s))
	J3 (With 12 kg)	1100mm/s (770mm/s)		
	J4 (With 12 kg)	47.12rad/s (2700°/s) (32.99rad/s (1890°/s))		
Maximum Payload	Rated	5kg		
	Maximum	12kg ²		
Maximum moment of inertia ⁴	Rated	0.02kg·m ²		
	Maximum	0.3kg·m ²		
#3 axis maximum pressing force	200N ³			
Position repeatability	X-Y synthesis	±0.025mm		
	J3 (Z)	±0.01mm		
	J4 (θ)	±0.01°		
Maximum Reach	800mm		1000mm	
Air tubes	Primary: φ6×2, φ4×2 Secondary: φ6×2, φ4×2 (when solenoid valve is not used) φ6×1, φ4×5 (when using solenoid valve)			
Application cables	24PIN (15PIN+9PIN) (when solenoid valve is not used) 20PIN (11PIN+9PIN) (when using solenoid valve)			
LAN cable	RJ45×1			
Installation	Floor			
Mounting Condition	Ambient Temperature: 0 ~ 40°C ⁵ Ambient Humidity: 20 ~ 80%RH (No dew or frost allowed) Vibration: Not more than 0.5G (4.9m/s ²)			
	Environmental specifications ⁶			
Noise level ⁷	Not more than 77.0dB			
Robot weight	41kg		44kg	

1(rad)=180/π(°), 1(N·m)=1/9.8(kgf·m)

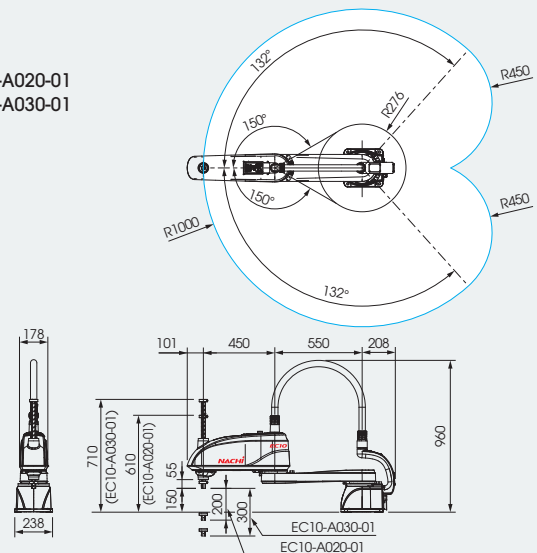
- * Specifications are subject to change without prior notice for technical changes.
- * Explosion-proof version is not available.
- * This robot may vibrate during low speed operation. Therefore, it cannot be used for sealing applications.
- *1: The maximum velocity in the chart is the maximum value. It will change depending on the operation program and the wrist load condition.
- *2: For this load, speed and acceleration are limited.
- *3: This is the downward pressing force that can be generated at the tip of the load when the maximum load is mounted and the #1, #2, and #4 axes are stationary.
Please use the specified value or less. Also, if pressed for a long time, an overload error will occur. Please use it in a state where no error occurs.
- *4: Note that the allowable moment of inertia varies with wrist load conditions.
- *5: Using at 1000 m or lower sea level.
Ambient temperature has limitations when allowable altitude is exceeded.
- *6: Fluids that cause the deterioration of sealants, such as gasoline-based cutting fluids, chlorine, alkali, acids, and organic solvents, cannot be used. The wire-harness portion is IP65 equivalent, and the robot controller is IP20 equivalent.
- *7: Robot noise is A-weighted equivalent sound level measured under "JIS Z 8737-1" (ISO 11201) with maximum payload and maximum velocity.

Dimensions and operating range

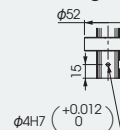
EC10-8020-01
EC10-8030-01



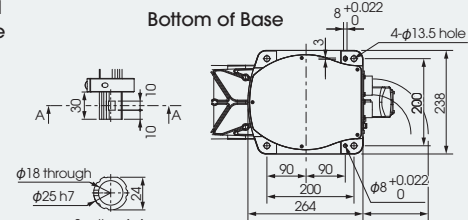
EC10-A020-01
EC10-A030-01



Details of load mounting face



Bottom of Base



Cable connection space
Secure 250mm or more.

NACHI

NACHI-FUJIKOSHI CORP.

www.nachi.com

Head Office Shiodome Sumitomo Bldg. 17F, 1-9-2 Higashi-Shinbashi, Minato-ku, Tokyo 105-0021
Robot Division 1-1-1 Fujikoshi-Honmachi, Toyama 930-8511, JAPAN

Tel: +81-(0)3-5568-5111
Tel: +81-(0)76-456-2223

Fax: +81-(0)3-5568-5206
Fax: +81-(0)76-493-5252

NACHI ROBOTIC SYSTEMS INC.
NACHI MEXICANA, S.A. DE C.V.
NACHI EUROPE GmbH
NACHI TECHNOLOGY (THAILAND) CO., LTD.
PT.NACHI INDONESIA
NACHI-FUJIKOSHI (CHINA) CO., LTD.

Michigan, U.S.A.
MEXICO
GERMANY
THAILAND
INDONESIA
CHINA

Tel: +1-248-305-6545
Tel: +52-442-153-2424
Tel: +49-(0)2151-65046-0
Tel: +66(38)961679
Tel: +62-021-527-2841
Tel: +86-(0)21-6915-2200

Fax: +1-248-305-6542
Fax: +52-442-153-2435
Fax: +49-(0)2151-65046-90
Fax: +66(38)961683
Fax: +62-021-527-3029
Fax: +86-(0)21-6915-5427

http://www.nachirobotics.com
http://www.nachi.com.mx/
http://www.nachi.de/
http://www.nachi.co.th/
http://www.nachi.co.id/
https://www.nachi.com.cn/

- The specifications are subject to changes without notice.
- In case that an end user uses this product for military purpose or production of weapon, this product may be liable for the subject of export restriction stipulated in the Foreign Exchange and Foreign Trade Act. Please go through careful investigation and necessary formalities for export.

CATALOG NO. **R7806E**

2023.03.X-MD-ABE