



Features

- Non-contact temperature measurement
- Temperature threshold detection
- Support Modbus RTU protocol
- Offers Wall-mount, magnetic and universal joint for installation

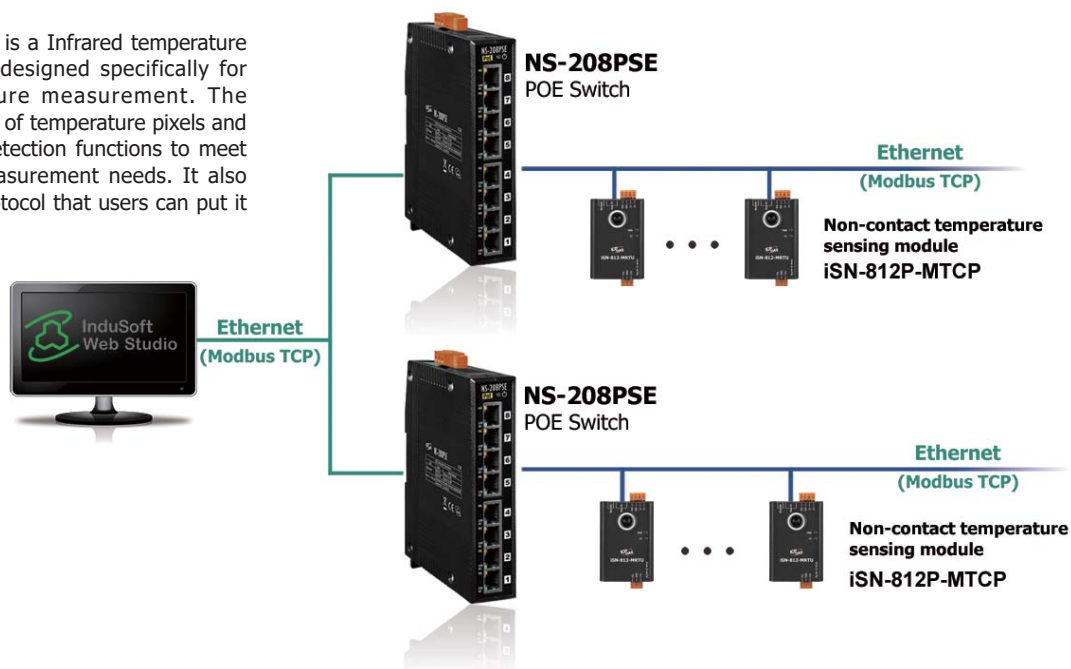


ISN-811-MRTU/iSN-812-MRTU/ iSN-813-MRTU/iSN-814-MRTU

IR temperature sensing module

Introduction

The iSN-81x-MRTU series is a Infrared temperature sensing module that is designed specifically for non-contact temperature measurement. The module provides a variety of temperature pixels and temperature threshold detection functions to meet various temperature measurement needs. It also provides Modbus RTU protocol that users can put it into SCADA system very easily.



Applications

- Temperature monitoring
- Temperature trend analysis
- Big data analysis
- Predictive maintenance

Realtime Monitoring of Panel Temperature

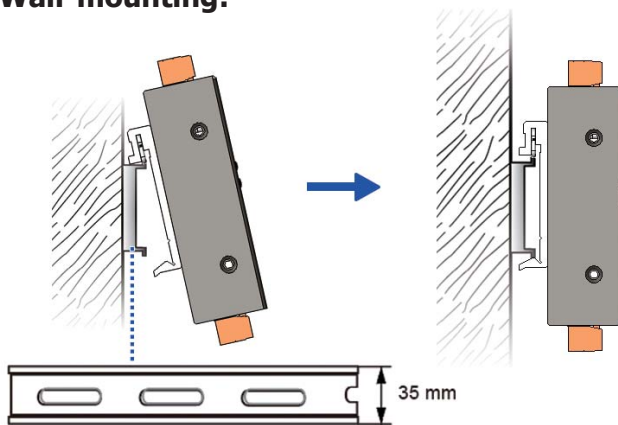
Non-contact temperature
sensing module
iSN-81x-MRTU Series

Temperature data concentrator
with Touch panel
VPD-1xx-IRT Series

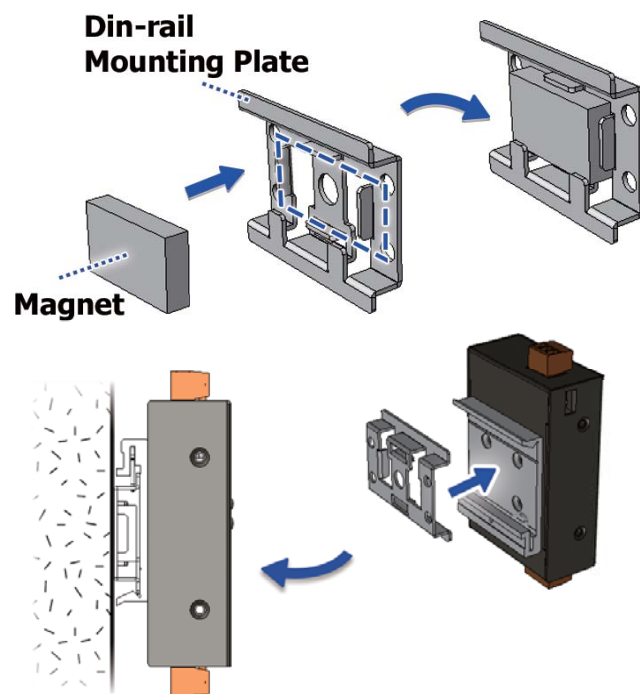


Pin Assignments

Wall-mounting:



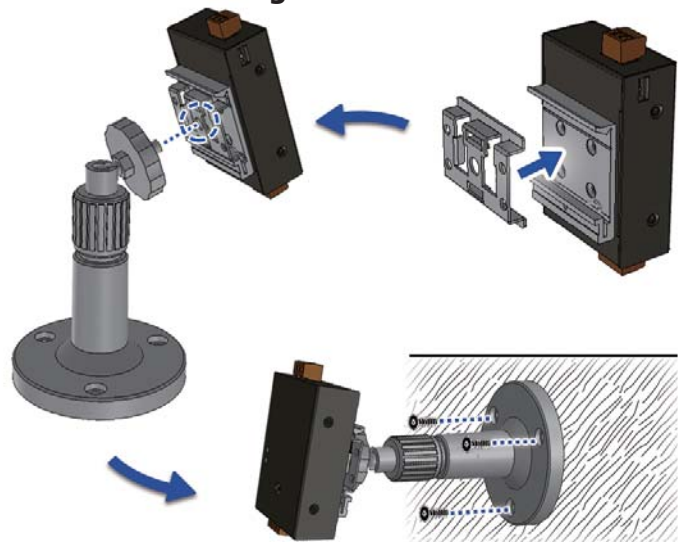
Magnetic mounting:



System Specifications

Model	iSN-811-MRTU	iSN-812-MRTU	iSN-813-MRTU	iSN-814-MRTU
COM Ports				
Baud Rate	115200 bps Max.			
Ports	1 x RS-485			
Protocol	Modbus RTU			
Temperature Measurement				
Range	-20°C ~ 300°C	-40°C ~ 300°C	0°C ~ 200°C	10°C ~ 140°C
Accuracy	±9.25°C Max.	±5°C Max.	±5°C Max.	±5°C Max.
Resolution	0.1°C			
Pixels	64 (16x4)	768 (32x24)	1024 (32x32)	4800 (80x60)
FOV	120° x 25°	110° x 75°	90° x 90°	50° x 50°
Effective Distance	1M	1M	1M	1M
Power				
Input Range	+10 ~ +30 VDC			
Consumption	1.5W	1.5W	1.5W	1.5W
Mechanical				
Installation	Wall-mounting or magnetic mounting, gimbal mounting			
Dimensions (mm)	52 x 94 x 33 (W x H x D)			
Environment				
Operating Temperature	-10 ~ +70°C			
Storage Temperature	-20 ~ +80°C			
Humidity	10% ~ 95% RH, Non-condensing			

Gimbal mounting:



Ordering Information

iSN-811-MRTU CR	Modbus RTU, IR temperature sensing module; 64 Pixels (RS-485) (RoHS)
iSN-812-MRTU CR	Modbus RTU, IR temperature sensing module; 768 Pixels (RS-485) (RoHS)
iSN-813-MRTU CR	Modbus RTU, IR temperature sensing module; 1024 Pixels (RS-485) (RoHS)
iSN-814-MRTU CR	Modbus RTU, IR temperature sensing module; 4800 Pixels (RS-485) (RoHS)

Accessories

ASO-0054 CR	Universal Joint Bracket (RoHS)
ASO-0060 CR	Magnetic Base Universal Joint Bracket (RoHS)
WM01-M CR	44 mm Magnetic Mounting Kit (RoHS)