



Model: LR18XBF05DNO

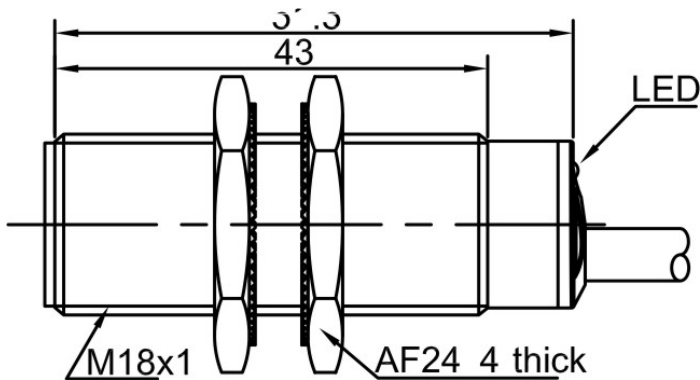
## Features

Stable performance, strong versatility and excellent anti-interference performance

## Technical Specifications

Mounting	Flush	Assured distance	$\leq \pm 10\%$
Sensing distance	5mm	Hysteresis range	1...20%
Assured Distance[Sa]	0...4mm	Repeat accuracy	$\leq 3\%$
Standard target	Fe 18*18*1t	Ambient Temperature	-25°C..70°C
Cylindrical size	M18*1*51mm	Ambient Humidity	35-95%RH
Output ways	NPN	Circuit protection	Short circuit protection, overload protection, reverse polarity protectio
Output status	NO	Insulation Resistance	$\geq 50M\Omega(500VDC)$
Residual voltage	$\leq 2.5V$	Vibration Resistance	Complex amplitude 1.5mm 10...50Hz(X,Y,Z 2 hours at each direction)
Supply voltage	10...30VDC	Degree of Protection	IP67
Load Current	$\leq 200mA$	Housing Material	Nickel-copper Alloy
Current consumption	$\leq 15mA$	Connection Type	Cable
Switching frequency	1000Hz	Certification	CE+UL
Output indicator	Yellow LED		

## Dimensions



## Wiring Diagram

