



TURBOFARMER TF42.7 TT-145



MERLO

PERFORMANCE AND FEATURES
TF42.7 TT-145
TF42.7 TT CS -145
TF42.7 TT CS-145-CVT
PERFORMANCE

Total unladen weight (kg)	8000	8200	8200
Maximum capacity (kg)	4000	4000	4000
Lifting height (m)	7,2	7,2	7,2
Maximum reach (m)	3,8	3,8	3,8
Maximum operating height (m)	7,2	7,2	7,2
Maximum operating reach (m)	1,4	1,4	1,4
Capacity at maximum height (kg)	4000	4000	4000
Capacity at maximum reach (kg)	1400	1400	1400
Lateral boom movement (mm)	± 150	± 150	± 150
Tilting correction (%)	± 8	± 8	± 8
Boom sections	2	2	2

POWERTRAIN

Turbo motor	DEUTZ TCD3.6	DEUTZ TCD3.6	DEUTZ TCD3.6
Displacement/cylinders	3600/4	3600/4	3600/4
Engine Power (kW/HP)	105/143	105/143	105/143
Anti-pollution technology	STAGE V, SCR+DPF+DOC	STAGE V, SCR+DPF+DOC	STAGE V, SCR+DPF+DOC
Reversible fan	●	●	●
Maximum speed (km/h)	40	40	40
Fuel tank (l)	140	140	140
AdBlue tank (l)	18	18	18
Hydrostatic transmission	● - 2V	● - 2V	CVTronic
EPD	Top	Top	Top
Axles	Portal	Portal	Portal
Reduction hub	RR700	RR700	RR700
Machine brakes	Dry disc	Dry disc	Dry disc
Automatic parking brake	●	●	●

HYDRAULIC

Hydraulic pump	LS+FS	LS+FS	LS+FS
Flow rate/pressure (l/min – bar)	150-250	150-250	150-250
Hydraulic tank	100	100	100
Hydraulic outlet at the top of the boom	●	●	●
Rear hydraulic outlets	○	○	○

CAB

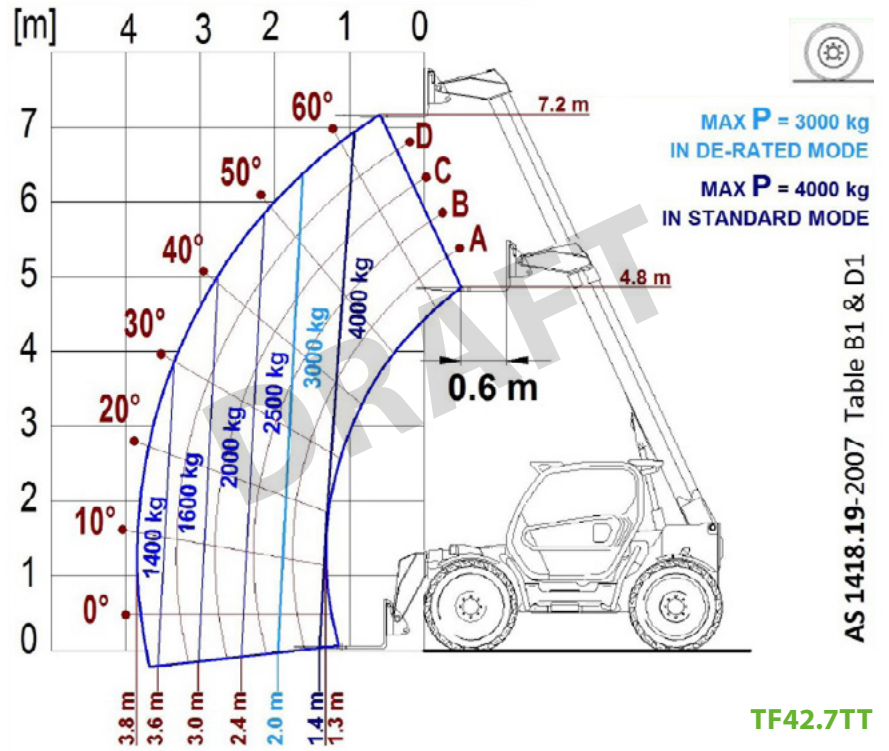
Cab configuration	ECO	ECO	ECO
ASCS Adaptive Stability Control System	Complet	Complet	Complet
FOPS LIV II cab	●	●	●
ROPS cab	●	●	●
Cab commands	Electronic joystick	Electronic joystick	Electronic joystick
Tilting Cab	-	-	-
Reverse shuttle	Dual reverse	Dual reverse	Dual reverse

CONFIGURATION

Cab suspension	-	●	●
Boom suspension	○	○	○
Suspension on axles	-	-	-
Work headlights on cab	●	●	●
Sun blind	○	○	○
Tac-lock	●	●	●
Provision for a platform	○	○	○
Two floating forks	●	●	●
Inching-Control	●	●	●
Four-wheel drive	●	●	●
Four-wheel steering	●	●	●
Three steering modes	●	●	●
Standard tyres	405/70-24"	405/70-24"	405/70-24"
Optional tyres	460/70-R24	460/70-R24	460/70-R24
Stabilisers	-	-	-
Turret rotation	-	-	-
Type approval as an agricultural tractor	○	○	○
Approval with PNEUMATIC braking	○	○	○
Approval with HYDRAULIC braking	○	○	○
PTO	-	-	-
3-point linkage	-	-	-

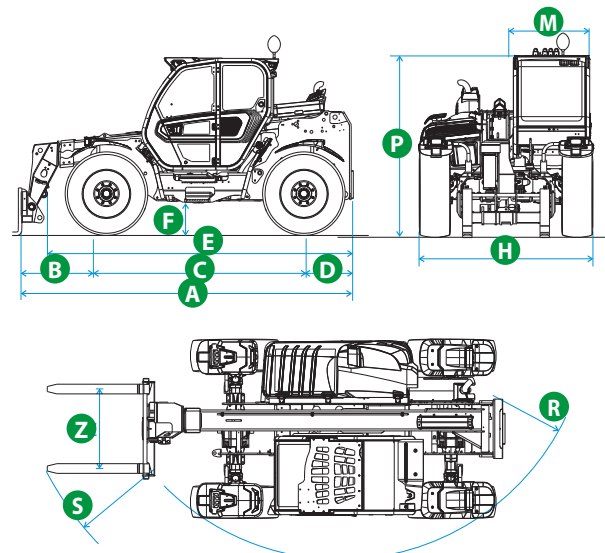
- Not Available. ● standard. ○ optional.

LOAD CHARTS



DIMENSIONS

	TF42.7 TT		
A (mm)	4730		
B (mm)	1215		
C (mm)	2810		
D (mm)	705		
E (mm)	4104		
F (mm)	460		
H (mm)	2310		
M (mm)	995		
P (mm)	2530		
R (mm)	3985		
S (mm)	4800		
Z (mm)	850		





MERLO GROUP AUSTRALIA PTY LTD

27 Colin Jamieson Dve, Welshpool (Perth), WA 6106
Tel. (08) 9358 3110 - Fax (08) 9358 4110

120 Toongabbie Road, Girraween, NSW 2145
Tel. (02) 9688 0600

Tel:1300 657 325

info@merloaustralia.com.au
www.merloaustralia.com.au

Your Merlo dealer

DS_TF427TT-145 _0221_AUS