

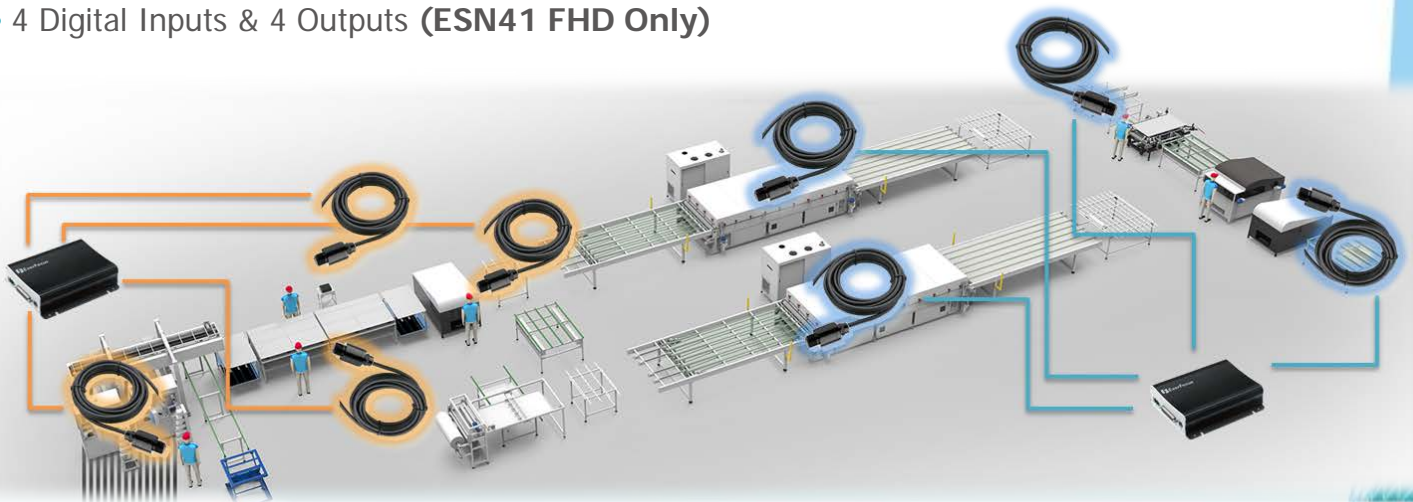
MoniVue System

Ultra Compact, 4CH, H.264,
Recorder for MoniVue Camera

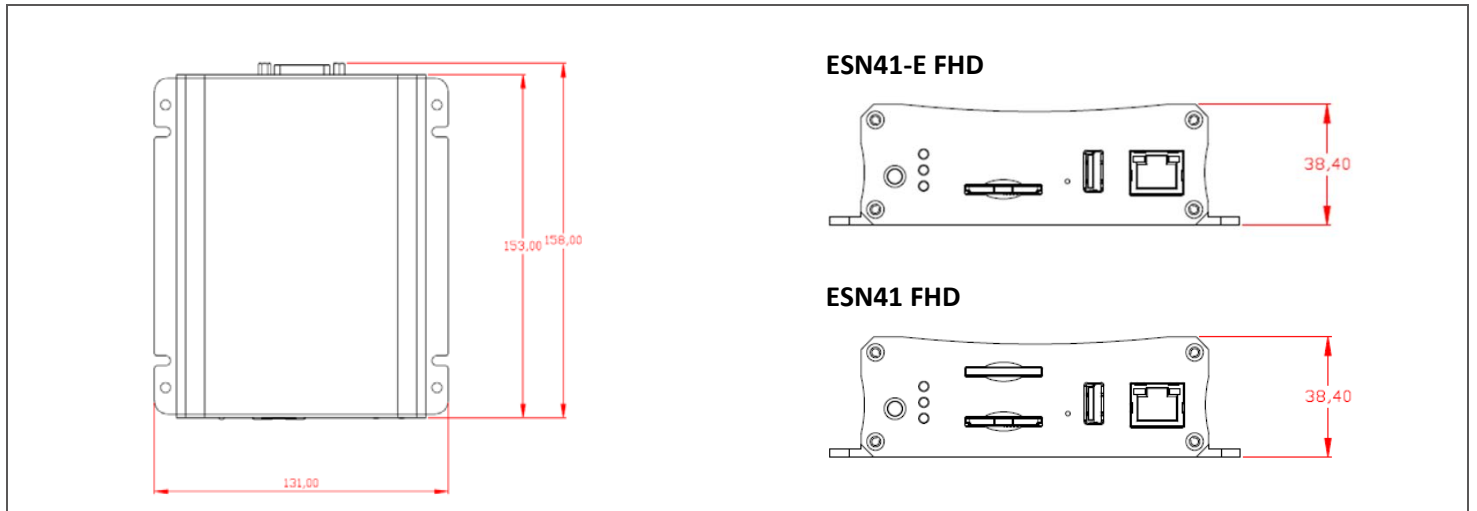


Features

- Ultra Compact Size for easy installation
- 4 channels of Real-Time 1080p Video and Audio Recording
- Recording Rate: up to 30(25)fps/ch @1080p resolution
- H.264 Format for efficient storage and network utilization
- eZ.Controller function: Control camera OSD settings and PTZ operation directly from MoniVue Video Recorder end
- D-sub Connectors for shock & vibration resistance
- Plug-and-play recording on the completely shock proof SDHC / SDXC card (up to 128GB per card)
- Archives recordings to the USB storage device
- Wide Dynamic Range function (WDR) via Camera OSD
- Two-Way Audio
- Easy JPEG Images On-Demand via HTTP command (HTTP GET)
- Pop-up Text / Image on local display via HTTP command (HTTP POST)
- Water-resistant design for video input connectors
- Video and power transferred through mini DIN cable
- Supports Multiple Interfaces
- Double Power Inputs supported: PoE and 12VDC (**ESN41 FHD Only**)
- 4 Digital Inputs & 4 Outputs (**ESN41 FHD Only**)



Dimensions



Optional Accessories

Camera

S200

MoniVue Camera, 2.7mm, Sony sensor, 1080p, 3m cable, Mini DIN



S208

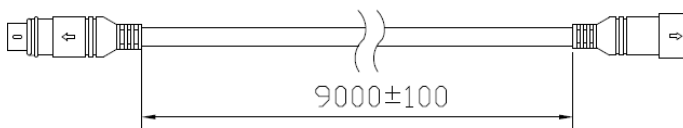
MoniVue Camera, 8mm, Sony sensor, 1080p, 3m cable, Mini Din, Focus Adjustable, Industrial use



Camera Extension Cable

MEC-009

MoniVue System Extension Cable – 9m



PoE Switch

EverFocus 5 / 8 / 16 / 24 Ports PoE Switch



5 Ports: ES0501-40

8 Ports: ES0812-31 / ES0802-41

16 Ports: ES1625-31 / ES1645-51

24 Ports: ES2426-31 / ES2446-51 / ES2448-62

Specification

Model No.		ESN41 FHD	ESN41-E FHD
Video Input	Number of Channels	4CH mini DIN	
	Video Compression	H.264	
Audio	Audio Inputs	4	
	Audio Output	RCA x 1	
Video Output	Video Output (Main Monitor)	VGA x 1	
	Video Output (Call Monitor)	BNC x 1	
Recording	Recording Resolution	1080p / 720p / 960H / D1 / CIF / QCIF	
	Recording Mode	Event, Normal + Event, Schedule	
	Recording Rate	30fps/CH (NTSC), 25fps/CH (PAL)	
	Pre-Alarm Recording	Yes	
Playback	Playback Mode	Duplex	
	Playback Search	Time Search, Event Search	
Video Detection & Alarm	Alarm Inputs	4	-
	Alarm Outputs	4	-
	Video Loss Detection	Yes	
	Event Alarm	Yes	
Network	Ethernet	RJ-45 Port x 1 (10/100/1000M)	
Storage	SD Card	SDHC / SDXC Slot x 2 (max. 128GB per card)	SDHC / SDXC Slot x 1 (max. 128GB)
External Interface	Interfaces	RJ-45 x 1, USB2.0 x 1, External I/O Port x 1, RS-485	RJ-45 x 1, USB2.0 x 1, External I/O Port x 1
General	System Control	IR Remote Control, Mouse, Web UI	
	PTZ Control	Yes	
	Power Source	PoE / 12VDC	12VDC
	Power Consumption	PoE 27W / 12VDC 30W	12VDC 30W
	Operating Temperature	-40°C ~ 55°C / -40°F ~ 131°F	
	Dimensions (W x D x H)	131 x 158 x 38.4mm / 5.16" x 6.22" x 1.51"	
	Weight	650g / 1.43lb	
	Certificates	CE, FCC, E-Mark	

*All images presented in this document are for example only. Product models may vary in different countries. Please visit EverFocus regional Websites for detailed ordering information.

*Information contained in this document is subject to change without notice.

Find Out More At:

EverFocus Taiwan HQ:
TEL: +886 2 2698 2334
www.everfocus.com.tw
marketing@everfocus.com.tw

EverFocus USA - California:
TEL: +1 626 844 8888
www.everfocus.com
sales@everfocus.com

International Branch Offices:
Germany, China, Japan

