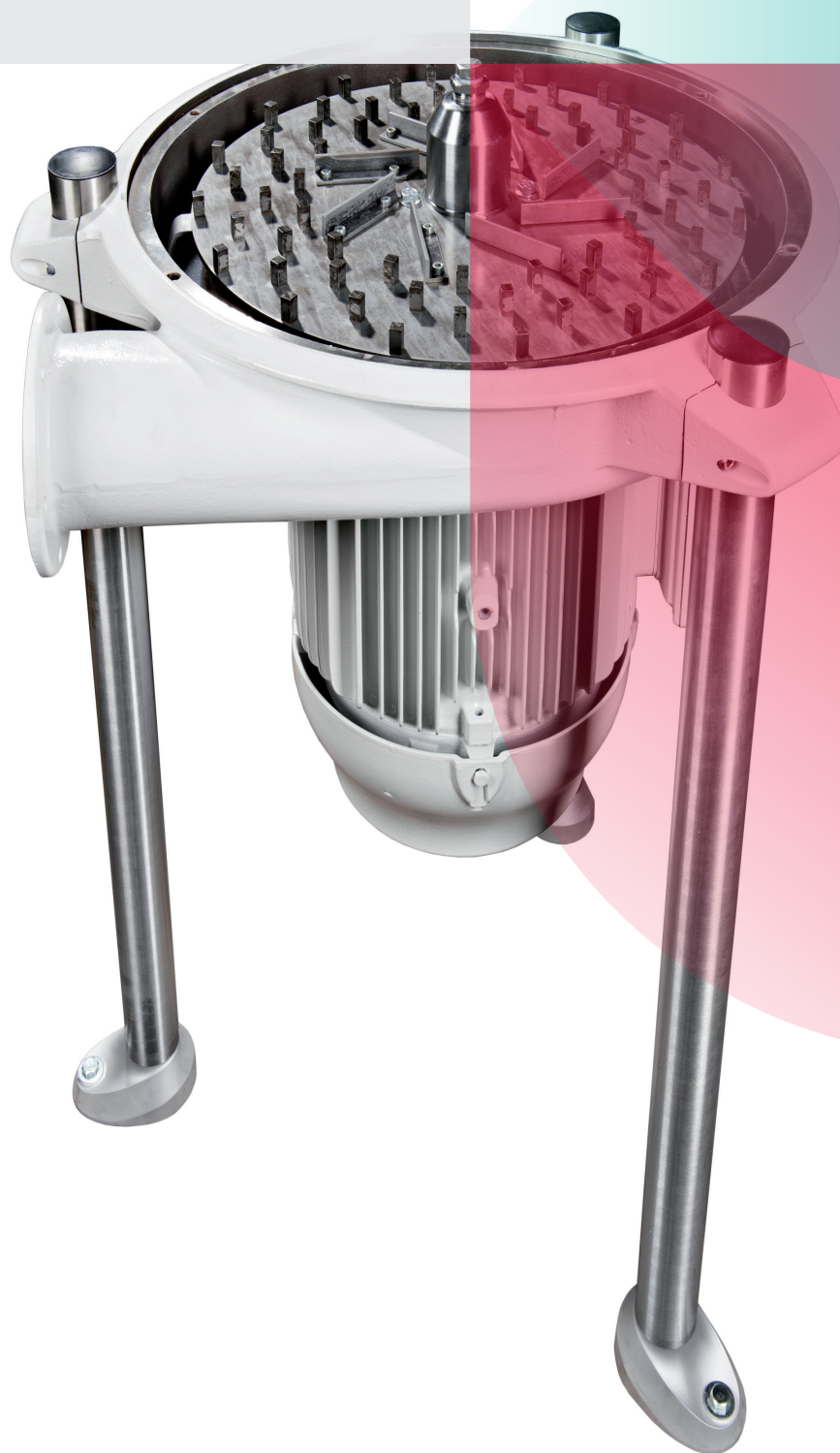


Impact detacher  
**MJZI**



# Impact detacher MJZI. To optimize milling processes.

Thanks to a modular rotor-stator concept, the impact detacher MJZI can be used for a wide variety of processes. It can be flexibly installed either in the gravity spout or directly in the pneumatic conveying line. The bypass tube for air is eliminated because of the new design – yet another step towards improved food safety.

## This innovative detacher is available in the following versions:

### Impact detacher MJZI-GD – For intermediary milling products in soft wheat and rye mills.

When used in pneumatic suction conveying lines, the flour flakes created by the smooth rolls are loosened up by the impact action of the MJZI-GD, supporting the grinding action of the rolls.

### Impact detacher MJZI-ID – For intermediary milling products in soft wheat and rye mills.

The detaching efficiency of the MJZI-ID is significantly higher compared to conventional impact detachers due to its multi-impact action.

### Impact detacher MJZI-MG – For intermediary milling products and finished products.

From simple milling assistance to stand-alone passage in grain mills – the range of applications for the MJZI-MG is very broad. For intermediate products, it increases the fine ratio and serves to control particle size distribution (flour micronization).

### Impact detacher MJZI-SG – For sugar milling.

With its nickel-plated housing, the MJZI-SG fine impact mill for sugar grinding is pressure-resistant up to six bar.



#### Flexible use

The impact detacher can be installed standing or suspended and configured for any common mill applications.



#### Optimal sizing

The larger inlet and outlet diameters reduce pressure build up within the machine making a bypass tube for the conveyor air unnecessary.



#### High process safety

The robust design, with optional nickel plating and temperature and vibration monitoring, ensures maximum process safety.

# Consistent grinding. For high-quality end products.

## Various applications.

All versions of the impact detacher ensure consistent grinding and high-quality end products. Differently shaped pins on the rotor and stator allow a wide variety of applications: from gentle loosening of flour flakes to sugar grinding.

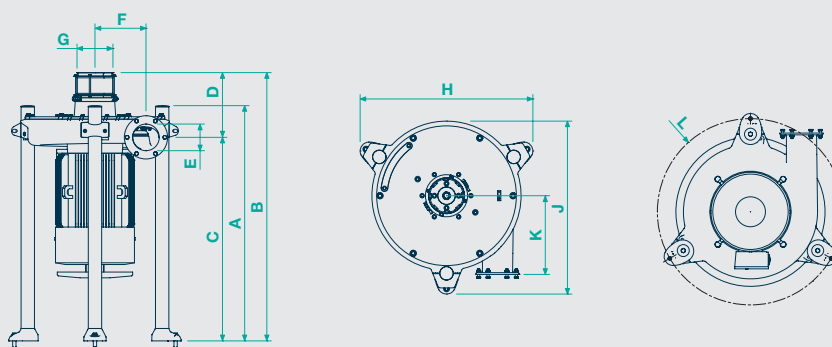
## Hygienic design.

The new Bühler impact detacher contains larger inlet and outlet diameters. This makes installing a bypass tube for air unnecessary and eliminates the associated risk of product residue, maximizing food safety.



## Overview of technical data for the impact detacher MJZI:

	A	B	C	D	E	F	G	H	J	K	L
<b>In mm</b>	1061	min. 930 max. 1280	min. 640 max. 990	290	Ø 120	230	150	780	780	335	Ø 840
			<b>MJZI-GD</b>		<b>MJZI-ID</b>		<b>MJZI-MG</b>		<b>MJZI-SG</b>		
<b>Rotor Ø</b>		mm	430 360		510 450		510		510		
<b>kW</b>			4.0 – 5.5 4.7 – 6.4		5.5 – 22.0 6.4 – 26.0		15.0 – 37.5		37.5		
<b>Capacity</b>		t/hr	2.3 – 5.0 2.3 – 5.0		1.2 – 5.5 1.2 – 5.5		0.7 – 4.5		0.5 – 3.0		
<b>Net weight</b>		kg	250 270		310 330		310 – 330		350		



## **Bühler AG**

CH-9240 Uzwil  
Switzerland

T +41 71 955 11 11  
F +41 71 955 66 11

[buhlergroup.com/milling](http://buhlergroup.com/milling)

Flyer Impact detaché MJZI en 02/17 ZACC