



EP50-75.SRT

mobile cleaning platform



 **Ask
About Rent
to buy**

The most advanced, flexible cleaning platform in the world

Intelligent, High-Temperature (Up to 90°), Hi-Flow, Variable Pressure



Ph 0409 123 850 - 0417 625 667

www.europumps.com.au

Ph (831) 524-3751

www.calgiene.com

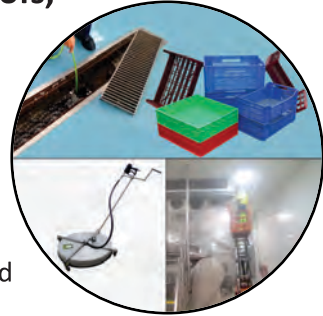




A complete cleaning solution

It washes, foams, & sanitises it has the power to clean drains, chutes, floors (with floor cleaner), roofs, chillers, overheads, CIP sprays and more.

It can even be connected to power a tub & crate washer. There is the option of adding time saving CIP spray bars and high-pressure rotors. If you would like to talk to one of the engineers about the Euro Pumps mobile cleaning platform or how any of our CIP systems can be customised to suit your individual needs call us today.



Supplied ready to work

Your Euro Pumps EP50-75.SRT mobile cleaning platform arrives ready to go to work with all hoses and attachments.

- 25m Heavy Duty Hose with ½" BSP male tails
- Suttner ST-2320 high pressure gun with swivel
- Triple-turbo-lance with male quick release
- 15/100 Brass Nozzle with male quick release
- 15/70 Brass Nozzle with male quick release

•OPTIONAL EXTRAS

- Suttner ST-76 Foam Blaster with male quick release
- Floor Cleaners & Spray Bars



Fitted with your choice of 3-phase plug

When ordering please specify your choice of 3-phase plug



Ready to Work ✓

A smarter cleaning solution



Fan Cooled to Run Hotter Longer

Euro Pumps allows you to clean on demand anywhere in the plant, inside or outside. It will work reliably at temperatures exceeding 85°C.



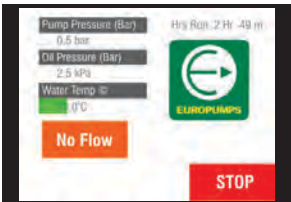
Perfectly balanced, move with one hand

It's perfectly balanced for easy movement around the site and will work off a standard 20 or 32 amp three-phase connection.



Built-in protection for longer life

The EP50-75.SRT Pump system PLC monitors in-built sensors for asset protection and long platform life.



More information

Euro Pumps EP50-75.SRT the smarter platform that allows you to clean faster, with better flow and at higher temperatures.

- No-Water input sensor
- Water output pressure
- Oil pressure
- Water temperature



About Euro Pumps

Euro Pumps 20+ years of hands-on export quality cleaning experience sets us apart from our competitors and provides us with a unique appreciation of the challenge's that managers face. This experience enables our in-house engineers to design solutions that clean to AQIS/ export standards faster, while optimising water, power, and chemical savings. Euro Pumps focus is on improving hygiene, increasing productivity and reducing cleaning time to allow additional production.

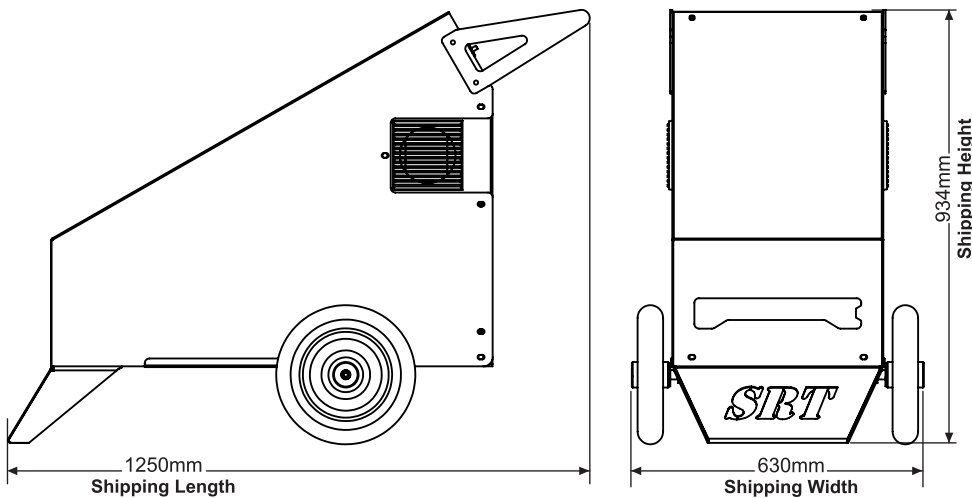
Specifications

Water

Output pressure	80 Bar	1160 PSI
Min. inlet pressure	1 Bar	14.5 PSI
Max. inlet pressure	10 Bar	145 PSI
Max. water consumption	50 Ltr/min.	13.2 gal/min.
Inlet dimension	¾" Inch	¾" Inch

Power

Power	14 AMPS	12 AMPS
Frequency	50 Hz	60 Hz
Motor	7.5 kW	10 HP
Weight	154 Kg	339.5 lbs
Dimensions (LxWxH)	1250(l) x 630(w) x 1000(h)mm 49.2(l) x 24.8(w) x 36.7(h)inches	



All products are in a continuous state of improvement in an ongoing effort to improve the quality and reliability of our products, services or manufacturing processes. This information is intended as informational purposes only and is subject to change without notice.

Errors and omissions excepted (E&OE)

Ph 0409 123 850

Ph 0417 625 667

3/10A Quindus St Beenleigh,
Australia QLD 4207

www.europumps.com.au

Ph (831) 524-3751

1775-B w. Graf Rd Hollister
California 95023 USA

www.calgine.com

Australian made, designed and supported



Your Euro Pumps EP50-75.SRT platform is a mobile cleaning platform which can clean anything within a food production facility. Euro Pumps not only design and manufacture we also use them every day in our own contract cleaning setting. Because we use them ourselves, we can ensure that your machine will work effectively for all the jobs that we say it will do. Your trolley will wash, foam, do drain cleaning and unblocking, clean glycol units & floors just to name a few things.

Euro Pumps is an Australian based family business, when we say will work, it will actually work; and unlike some companies from Europe, we focus on after sales service.

