



HIGH-EFFICIENT HARDMOUNT INDUSTRIAL WASHER-EXTRACTORS

IA180

18KG

IA240

24KG

IA280

28KG

FEATURES

- Rigid mounted, normal spin, 100G factor
- Stainless steel top and front panel, black side panels
- Stainless steel drum and tub
- Aries - easy to use microprocessor
- Patented soap hopper
- High capacity water inlets (IA280)
- Large drain valve (Ø 76 mm)
- Easy access to all vital parts from the front
- Large door opening for easy loading & unloading

STANDARD OPTIONS

- 175G factor execution
- Aries Standard
- Coin operated timer
- Stainless steel side panels
- USB plug (on the back panel)
- Liquid soap connection
- Liquid soap pumps
- Water recovery kit
- Steam heating version
- 3rd water inlet
- High capacity water inlets (IA180, IA240)



ERGONOMICAL
CONSTRUCTION



LARGE DOOR
OPENING



LOW WATER
CONSUMPTION



LOW ENERGY
CONSUMPTION

Speak with a Laundry Specialist

t: 1300 222 119

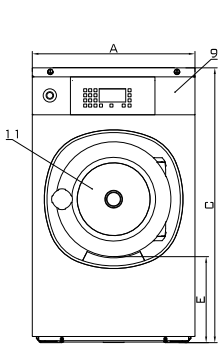
e: info@aqualogic.com.au

w: aqualogic.com.au/contact

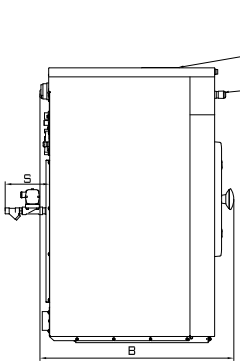
 **Aqualogic**

	IA180	IA240	IA280
INNERDRUM			
CAPACITY 10:1 (KG)	18	24	28
CAPACITY 9:1 (KG)	20	27	31
VOLUME (L)	180	240	280
DIAMETER (MM)	750	750	750
DRUM SPEED			
WASH (RPM)	42	42	42
EXTRACTION (RPM)	490 (100G) - 645 (175G)	490 (100G) - 645 (175G)	490 (100G) - 645 (175G)
G-FACTOR	100 (optional 175)	100 (optional 175)	100 (optional 175)
HEATING			
ELECTRICITY (KW)	12	18	22
STEAM (BAR)	1 - 8	1 - 8	1 - 8
HOT WATER (°C)	90	90	90
SOUND PRESSURE LEVEL (DB) (A)	< 65	< 65	< 65
WATER VALVES CONNECTION (BSP)	3/4"	3/4"	3/4"
WATER PRESSURE (KPA)	100-800	100-800	100-800
REC. WATER PRESSURE (KPA)	300-500	300-500	300-500
WATER INLET (L/MIN)	20	20	20
DRAIN VALVE OUTER (MM)	Ø 76	Ø 76	Ø 76
Flow Amount With Drain Valve (L/MIN)	210	210	210
STEAM VALVE CONNECTION (BSP)	1/2"	1/2"	1/2"
STEAM PRESSURE (KPA)	100-800	100-800	100-800
TRANSPORT DATA			
GROSS WEIGHT (KG)	270 (335 with 175G)	290 (355 with 175G)	305 (385 with 175G)
NET WEIGHT (KG)	255 (315 with 175G)	275 (330 with 175G)	290 (355 with 175G)
PACKING DIMENSIONS HXWXD (MM)	1550 x 925 x 970	1550 x 925 x 1130	1550 x 925 x 1190

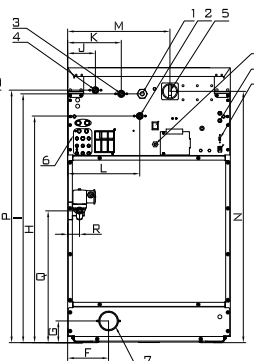
	A	B	C	D	E	F	G	H	I	J	K	L	M	N	O	P	Q	S
IA180	890	915	1410	815	465	280	130	1212	1297	113	218	303	625	1270	1317	528	54	120
IA240	890	1060	1410	960	465	280	130	1212	1297	113	218	303	625	1270	1317	528	54	120
IA280	890	1135	1410	1035	465	280	130	1212	1297	113	218	303	625	1270	1317	528	54	120
	width	depth	height															



FRONT



SIDE



BACK

- 1 Electrical connection
- 2 Hot water
- 3 Cold water hard
- 4 Cold water soft
- 5 Main switch
- 6 Liquid soap connection
- 7 Drain
- 8 Soap dispenser
- 9 Control panel
- 10 Button CENTRALSTOP
- 11 Door opening Ø 460 mm
- 12 Fuses
- 13 USB port
- 14 Electrical connection to liquid soap pumps

Speak with a Laundry Specialist

t: 1300 222 119 e: info@aqualogic.com.au w: aqualogic.com.au/contact

