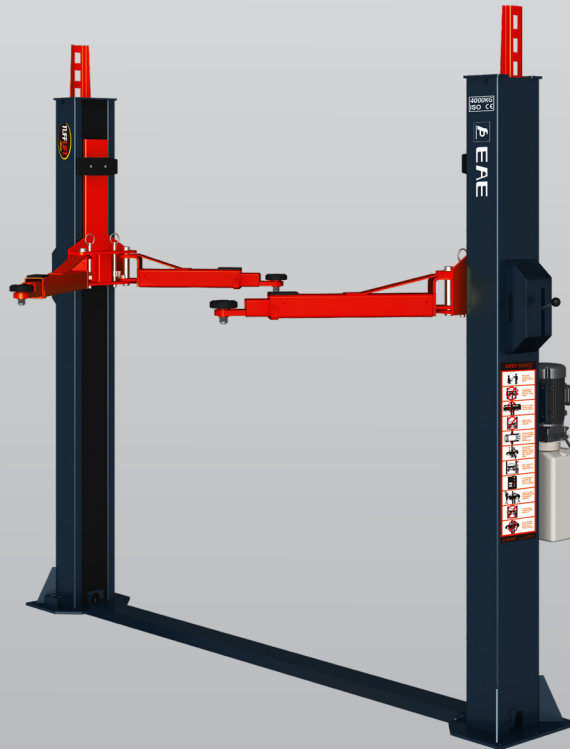


EE-F9

4.0 Ton 2 Post Base Plate Hoist



- » 4.0 Ton lifting capacity
- » Lifting height of 1.90m plus 4WD adapters
- » Base plate design
- » Durable charcoal Hammertone powder coat finish, with orange arms
- » Single lock release
- » Door protection pads
- » Combination screw pads plus 4WD adapters
- » Certified to Australian Standards and design registered with Worksafe
- » Optional EV charging station
- » 1 Year parts & labour warranty

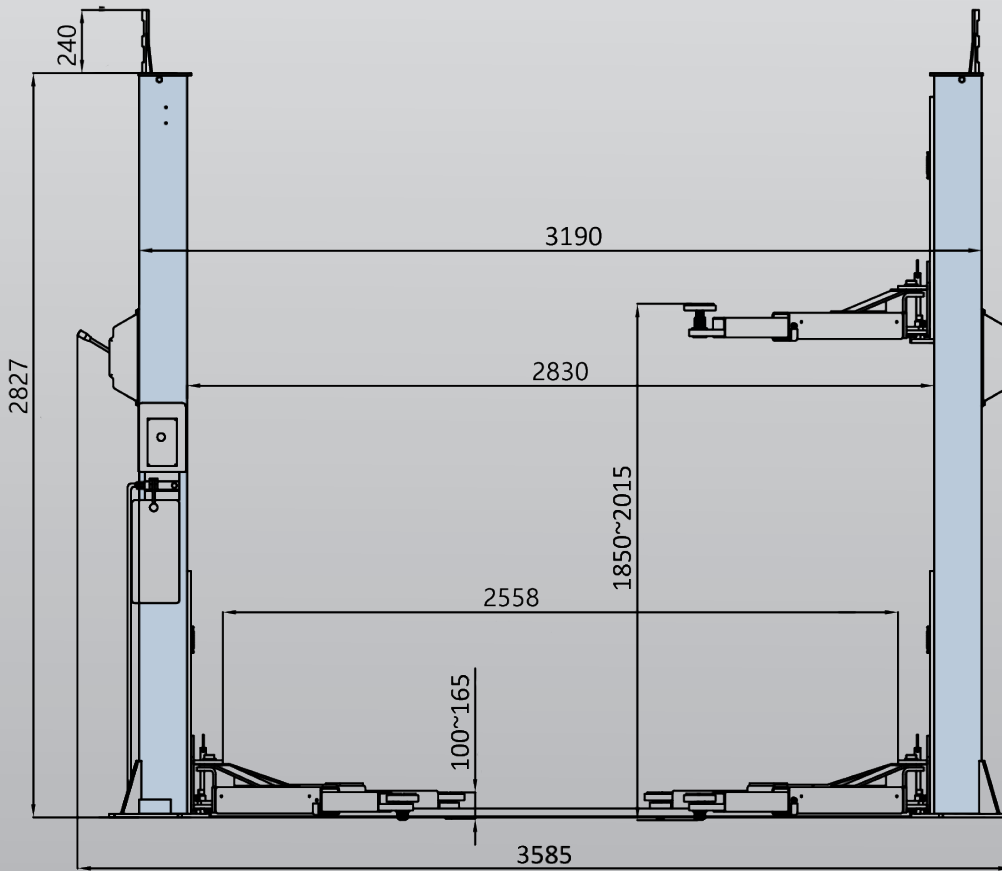
INCLUSIONS



OPTIONS



EE-F9



Minimum Concrete Requirement
115mm
Recommended Ceiling Height
3.25m
Power Requirements
240v
2.2kw 16 amps
3 phase
3.5kw 9 amps
Fast motor
Neutral required
Freight Dimensions
286 x 57 x 100cm
672kg

