

Introducing RA's new compact & affordable Robotic Palletiser

Robotic Automation's newest solution, the RA-PAL, has been designed and engineered for tight spaces and ease of integration.

The RA-PAL is a flexible Robotic Palletiser module that provides a cost effective and painless upgrade path to improve the performance of existing manufacturing infrastructure.

Developed by RA to be an economic option for operations where space and budget are limited. It can be deployed into existing production environments with ease as a single module or as a multiple station set up.



Key System Benefits

Small compact footprint

Easily installed 'drop-and-go' system (be up and running in a day)

Affordable automated palletising solution

Compatible with a wide range of products up to 30kg payloads.

Grippers are available to suit a wide variety of applications.

RA-PAL's solution is scalable to grow with your needs.



COMPACT PALLETISING

Movable, 'Drop & Go' System

RA-PAL SYSTEM OPERATION

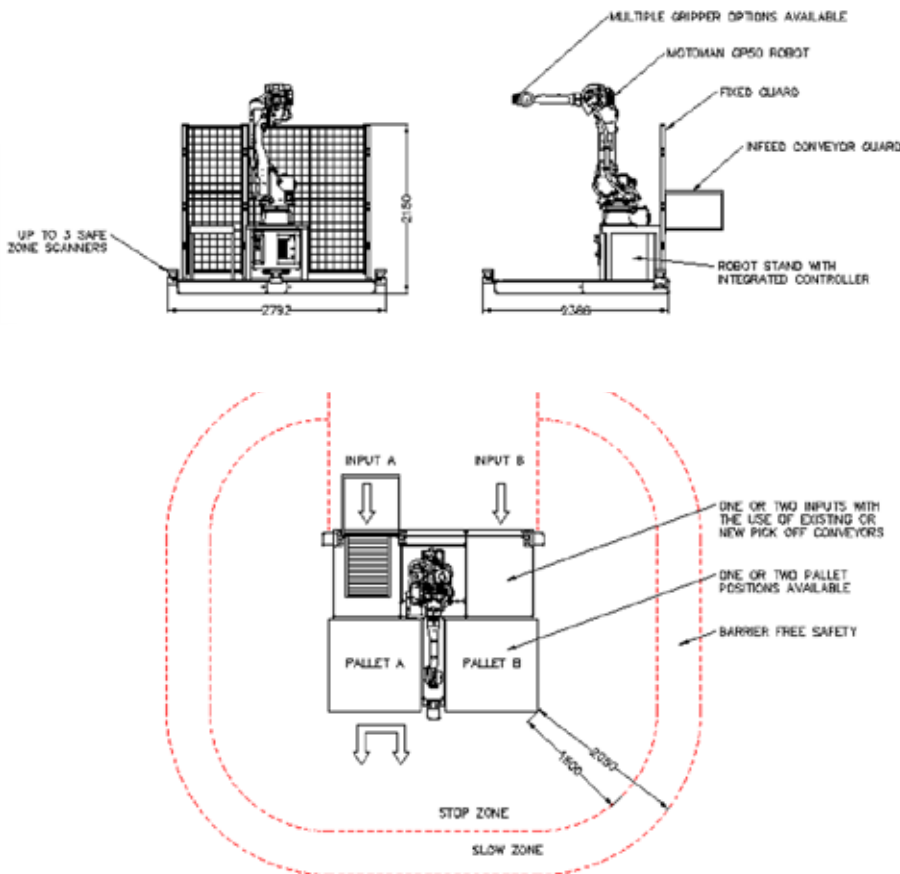
To begin, the operator loads an empty pallet into one or two pallet locations. They then exit the safety zones, select the product from HMI and start the system.

As products begin to arrive on the input conveyor, the robot picks and places the products in a preprogrammed pattern. When the pallet is complete the system signals for a pallet change.

The operator enters the safe zone, halting the robot

and exchanges the pallet, then restarts the system to continue the production cycle.

While palletising, the system continues to monitor the area around the robot cell. Should anyone enter the slow safe zone the robot reduces to 25% speed. If the operator exits the slow zone without entering the stop zone the robot automatically resumes full speed production. If the stop zone is entered the operator must exit the area and restart the system.



All drawing dimensions in mm. Technical data may be subject to change without previous notice. Please request detailed drawings from sales@ragroup.com.au



RA
Robotic Automation

the Home of Intelligent Automation

3500+ installations

Est'd. 1988

Tel: +61 1300 552 333

sales@ragroup.com.au

www.ragroup.com.au

Exclusive partners of:

MOTOMAN
YASKAWA

MAX/AGV

COMPACT PALLETISING

Movable, 'Drop & Go' System