



Model: PTL-TM30SKT3-D

Features

Through beam reflection working principle;

Excellent anti-interference performance

High detection accuracy

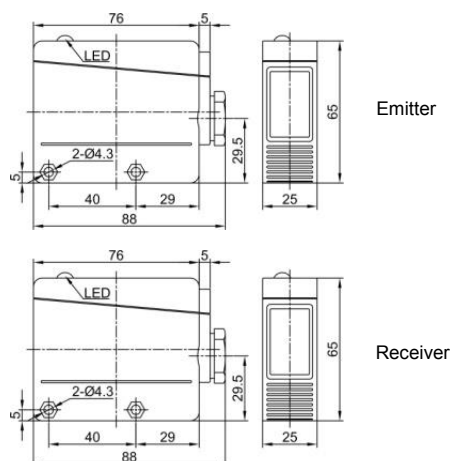
Part Number

	Emitter	Receiver
Relay output	PTL-TM30S-D	PTL-TM30SKT3-D

Technical Specifications

Detection type	Through beam	Consumption current	≤35mA
Rated distance	30m (Receiver adjustable)	Circuit protection
Standard target	> φ15mm opaque object	Response time	< 30ms
Light source	Infrared LED (880nm)	Output indicator	Emitter: Green LED Receiver: Yellow LED
Dimensions	88 mm *65 mm *25 mm	Ambient temperature	-15°C...+55°C
Output	Relay output	Ambient humidity	35-85%RH (non-condensing)
Supply voltage	24...240 VAC/12...240VDC	Voltage withstand	2000V/AC 50/60Hz 60s
Min target	Insulation resistance	≥ 50MΩ (500VDC)
Hysteresis range [%/Sr]	Vibration resistance	10...50Hz (0.5mm)
Repeat accuracy [R]	≤5%	Degree of protection	IP67
Load current	≤3A (receiver)	Housing material	PC/ABS
Residual voltage	Connection type	Terminal

Dimensions



Wiring Diagram

