

InnoEx-IPCKVM

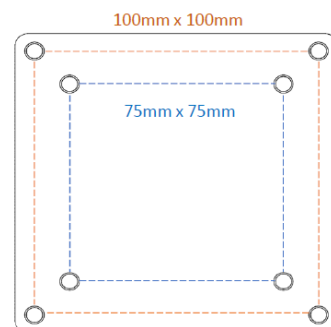
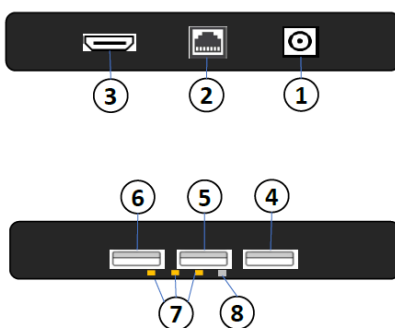
LAN to 3xUSB/1xHDMI



Features

- Expand I/O through virtualization technology
- Extend I/O via RJ45 Ethernet
- Simulate remote I/O on local computer
- Keep I/O behavior and data format. No change of I/O operation
- Support PoE connection (optional), compliant with IEEE 802.3at/af
- Support display output of HDMI 1.4
- Supports 3 USB 2.0 ports (5V1A per port)
- Supports -10 to +85 degrees
- Industrial design, manufactured in Innodisk Taiwan

1	DC-Jack Power Input
2	GbE LAN Port
3	HDMI Port
4	USB 2.0 Port1
5	USB 2.0 Port2
6	USB 2.0 Port3
7	LED
8	Reset Button



▲ Interface

▲ VESA MIS-D

Specifications

Headquarters (Taiwan)
5F., No.237, Sec. 1, Datong Rd.,
Xizhi Dist., New Taipei City 221,
Taiwan

Tel: +886-2-7703-3000
Email: sales@innodisk.com

Branch Offices:

USA
usasales@innodisk.com
+1-510-770-9421

Europe
eusales@innodisk.com
+31-40-3045-400

Japan
jpsales@innodisk.com
+81-3-6667-0161

China
sales_cn@innodisk.com
+86-755-2167-3689

www.innodisk.com

© 2023 Innodisk Corporation.
All right reserved. Specifications
are subject to change without
prior notice.

March 14, 2023

Network Connection	RJ45, 10/100/1000 GbE
Output I/F	HDMI 1.4 x1, USB 2.0 x3 (Type A connector)
Image HW Decoder	H.264 MVC/AVS+, H.263, MPEG-4, MPEG2, M-JPEG
Max Display Resolution	4K UHD 3840x2160 @ 30Hz
Display Latency	<30ms@1080p, <60ms@4K
Power Input	DC Jack: 12V/2A or PoE/PoE+(Optional)
VESA Mount	75mmx75mm/ 100mmx100mm
Dimension (WxLxH)	115 x 115 x 22 mm
Temperature	Operation: -10°C ~ +85°C, Storage: -20°C ~ +90°C
Environment	Vibration: 5G @7~2000Hz, Shock: 50G @ 0.5ms
Notes	Download driver and API from MyInnodisk website. OS Support: Windows 10/11, Linux Kernel 4.4 and libssl 1.0 above HDMI support Windows x86 only

Order information

EA1-9NIPCKVM1301 (LAN)

EA1-9NIPCKVM1301-P (PoE)

InnoEx IPCKVM LAN to 3xUSB/1xHDMI



Backplane
Systems
Technology

Backplane Systems
Technology Pty Ltd

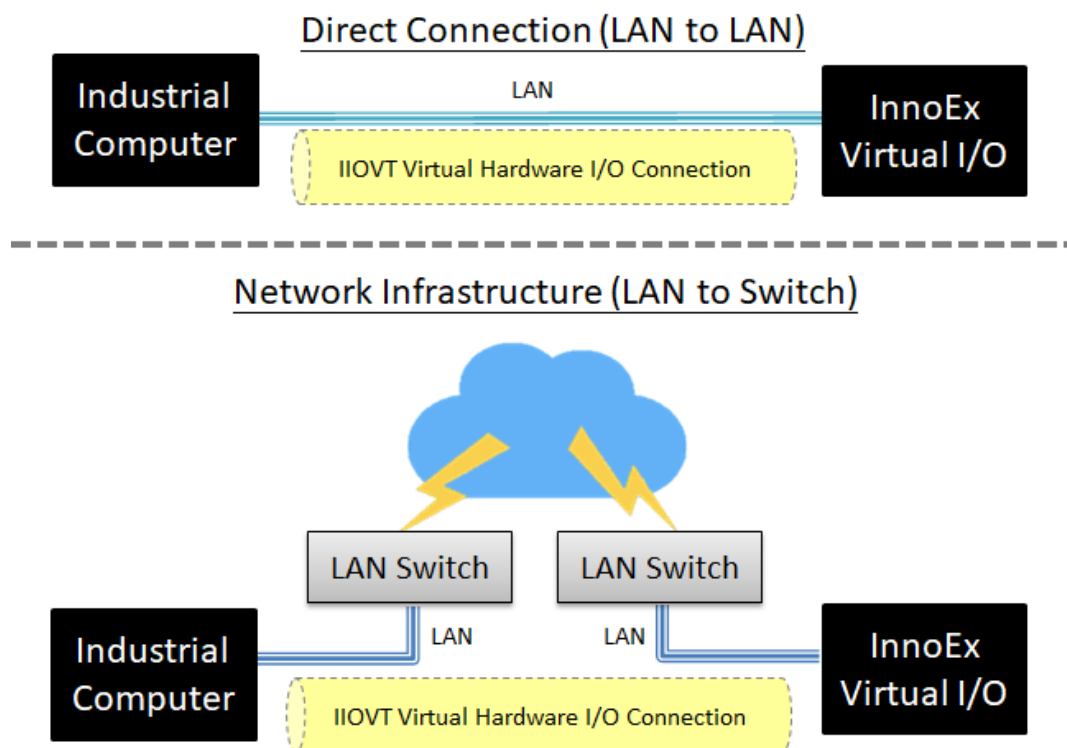
TEL 02 9457 6400
sales@backplane.com.au
www.backplane.com.au

InnoEx-IPCKVM

Ethernet to 3xUSB/1xHDMI

Industrial I/O Virtualization Technology (IIOVT)

InnoEx allows integrators to expand I/O ports, as well as extend their range up to 120m from LAN to LAN, or extend without limit through the internet via I/O virtualization. InnoEx connect devices act as if they are connected directly to the system itself, and always maintain their original device behavior. Simply install the InnoEx IIOVT driver onto the industrial computer and the InnoEx device via an Ethernet cable to get started



LAN to USB/HDMI Application Architecture

