



**ItalianGelato**  
Concepts

*dessert projects & equipment supply*

Ph: +61 (0) 7 3162 7724

[info@italiangelato.com.au](mailto:info@italiangelato.com.au)



**ICE**  
VISION

**SIRIUS**



SOLUZIONI D'ARREDO PER FOOD & BEVERAGE

Il freddo e' il nostro habitat

# SIRIUS



## SIRIUS TR

With display surface and transparent containers

ICE  
VISION



**ItalianGelato**  
Concepts  
*dessert projects & equipment supply*

Ph: +61 (0) 7 3162 7724

[www.italiangelato.com.au](http://www.italiangelato.com.au)

# SIRIUS

Gelato Pastry

**A new way to present and enhance your art.**

The SIRIUS model has given life to an articulated range of ice-cream and pastry shop display cases, the result of careful study in each component. This has made it possible to create ideal systems to enhance the visibility of the showcased products, making them the true protagonists thanks to the raised, illuminated display floor.

The fully hermetic glass superstructure structured with double glass guarantees safe energy savings and can work even in critical weather conditions. In ice-cream shop units, the container position is perfectly horizontal for convenient ice-cream scooping. The SIRIUS ice-cream shop range is also designed for the addition of clear containers to further enhance the displayed ice-cream.

- One-piece shell with 60 mm-thick polyurethane insulation, AISI 304 stainless steel tank.
- LED lighting.
- Anti-condensation heated double glass superstructure, vent-opening front glass, service side closure with sliding glass doors on telescopic side guides.
- Ventilated refrigeration with double evaporators.
- Double hermetic compressor V230/1 (in models 18 and 24) for optimal refrigeration performance with low noise level - Optional compressor 400/3Ph.
- Removable condensing unit for easier, faster maintenance.
- Automatic ultra-fast reverse cycle defrost.
- Electronic control panel for temperature adjustment.
- Climate class 7 (35°/ 75% UR).



**ItalianGelato**  
Concepts  
*dessert projects & equipment supply*

Ph: +61 (0) 7 3162 7724

[www.italiangelato.com.au](http://www.italiangelato.com.au)



- Transparent version OPTIONAL

## TECHNICAL DATA



MOD.									 [°C]	Compressor						No. Climate class [C°/%UR]
	L	D	H	P	L	D	H	P		Single-phase			Three-phase			
										Supply	Output	In Defrost	Supply	Output	In Defrost	
<b>SIRIUS GELATO 12</b>	117	108	118	245	127	124	152	285	-16 / -18	230/1/50	1.19	2.6	400/3/50	1.3	2.52	7 (35/75)
<b>SIRIUS GELATO 18</b>	167	108	118	335	177	124	152	380	-16 / -18	230/1/50	2.08	3.53	400/3/50	1.97	3.87	7 (35/75)
<b>SIRIUS GELATO 24</b>	221	108	118	400	231	124	152	470	-16 / -18	230/1/50	2.5	3.8	400/3/50	2.8	5.1	7 (35/75)

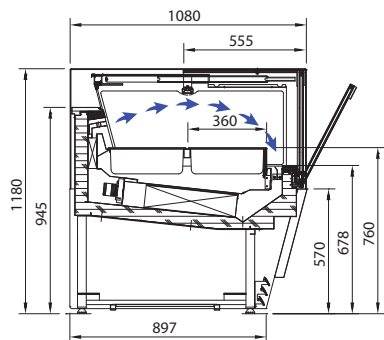


**ItalianGelato**  
Concepts  
dessert projects & equipment supply

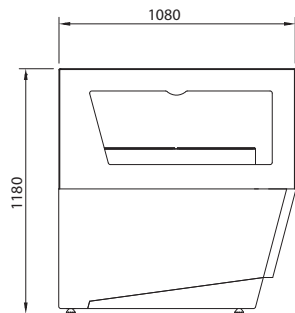
Ph: +61 (0) 7 3162 7724

[www.italiangelato.com.au](http://www.italiangelato.com.au)

# H118



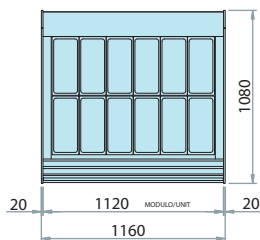
Base



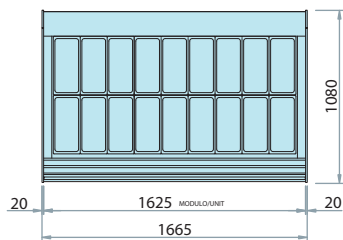
With panels



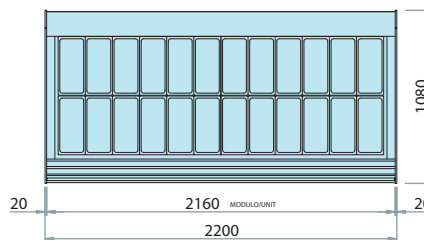
## SIRIUS GELATO 12



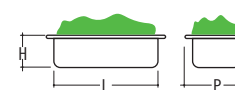
## SIRIUS GELATO 18



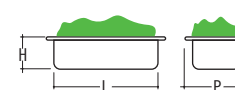
## SIRIUS GELATO 24



**STANDARD** L x P x H  
360 x 165 x 120 [5Lt.]



**LARGE** L x P x H  
360 x 250 x 80 [5Lt.]  
360 x 250 x 120 [7Lt.]



## COLOURS



The showcase can be customized in colors according to available RAL.

## STANDARD

Electronic control unit / R452A refrigerant gas



**ItalianGelato**  
Concepts  
dessert projects & equipment supply

# SIRIUS Pastry



REFRIGERATED WITH SOFT FLOW SYSTEM

## TECHNICAL DATA



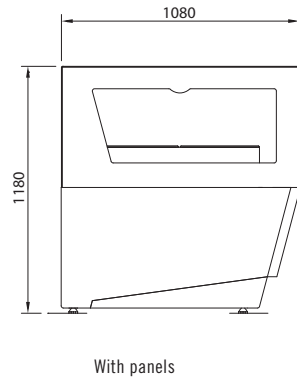
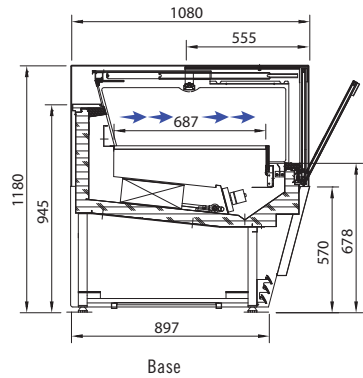
MOD.	L D H P				L D H P				[°C]	Refrigeration power [Kw]	Supply [V/Hz]	Electrical power output [Kw]	No. Climate class [C°/%UR]
	[cm]	[cm]	[cm]	[kg]	[cm]	[cm]	[cm]	[kg]					
SIRIUS PAST 110	117	108	118	214	127	124	152	254	+2 / +4	-	230/1/50	0.66	4+(32/60)
SIRIUS PAST 160	167	108	118	285	177	124	152	330	+2 / +4	-	230/1/50	0.85	4+(32/60)
SIRIUS PAST 200	221	108	118	338	231	124	152	408	+2 / +4	-	230/1/50	1.1	4+(32/60)



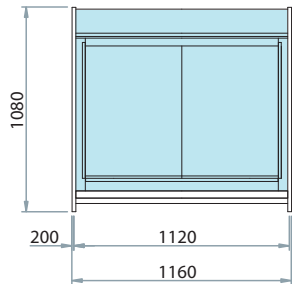
**ItalianGelato**  
Concepts  
dessert projects & equipment supply

Ph: +61 (0) 7 3162 7724

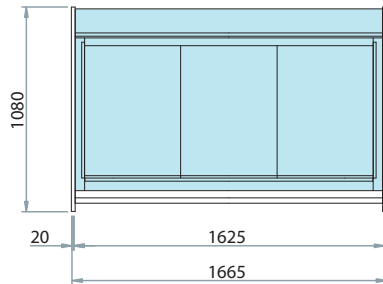
[www.italiangelato.com.au](http://www.italiangelato.com.au)



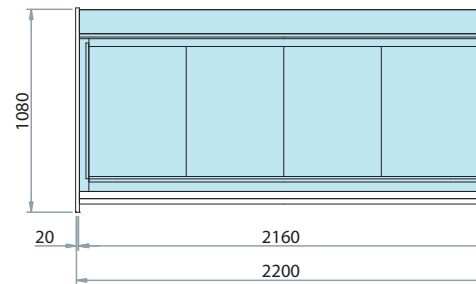
**SIRIUS PAST 110**



**SIRIUS PAST 160**



**SIRIUS PAST 200**



**COLOURS**



The showcase can be customized in colors according to available RAL.

**STANDARD**

Electronic control unit / R452A refrigerant gas



**ItalianGelato**  
**Concepts**  
 dessert projects & equipment supply



Italian Gelato Concepts Pty Limited  
Unit 1, 37 Mortimer Road  
Acacia Ridge Qld 4110

Bris Office: +61 [0] 7 3162 7724  
Syd Office +61 [0] 2 8311 9701  
Email: [info@italiangelato.com.au](mailto:info@italiangelato.com.au)

[www.italiangelato.com.au](http://www.italiangelato.com.au)



SOLUZIONI D'ARREDO PER FOOD & BEVERAGE

AF DESIGN 0118 - ICEVISION