

Model: LE40XZSN20SBB-E2

## Features

Non contact detection, safe and reliable;

ASIC design;

Perfect choice for metallic targets detection;

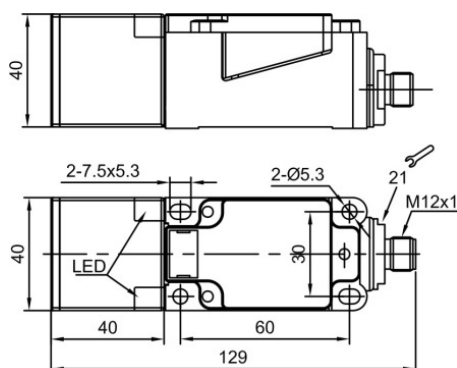
## Part Number

AC/DC 2 wires NO	LE40XZSF15SBO-E2	LE40XZSN20SBO-E2	AC/DC 2 wires NO/NC	LE40XZSF15SBB-E2	LE40XZSN20SBB-E2
AC/DC 2 wires NC	LE40XZSF15SBC-E2	LE40XZSN20SBC-E2			

## Technical Specifications

Mounting	Flush	Non-flush	Leakage current [Ir]	AC: ≤3mA	DC: ≤1mA
Rated distance [Sn]	15mm	20mm	Circuit protection	...	
Assured distance [Sa]	0...12mm	0...16mm	Output indicator	Power: yellow LED	Output: yellow LED
Dimensions	40*40*129 mm		Ambient temperature	-25°C...70°C	
Output	NO/NC(depends on part number)		Ambient humidity	35-95%RH	
Supply voltage	20...250V AC/DC		Switching frequency [F]	AC:20 Hz, DC: 100 Hz	
Standard target	Fe 45*45*1t	Fe 60*60*1t	Voltage withstand	1000V/AC 50/60Hz 60s	
Switch point offset [%/Sr]	≤±10%		Insulation resistance	≥50MΩ (500VDC)	
Hysteresis range [%/Sr]	1...20%		Vibration resistance	10...50Hz (1.5mm)	
Repeat accuracy [R]	≤3%		Degree of Protection	IP67	
Load Current	AC: ≤300mA	DC: ≤100mA	Housing material	PBT	
Residual Voltage	AC: ≤10V	DC: ≤8V	Connection Type	M12 connector	

## Dimensions



## Wiring Diagram

