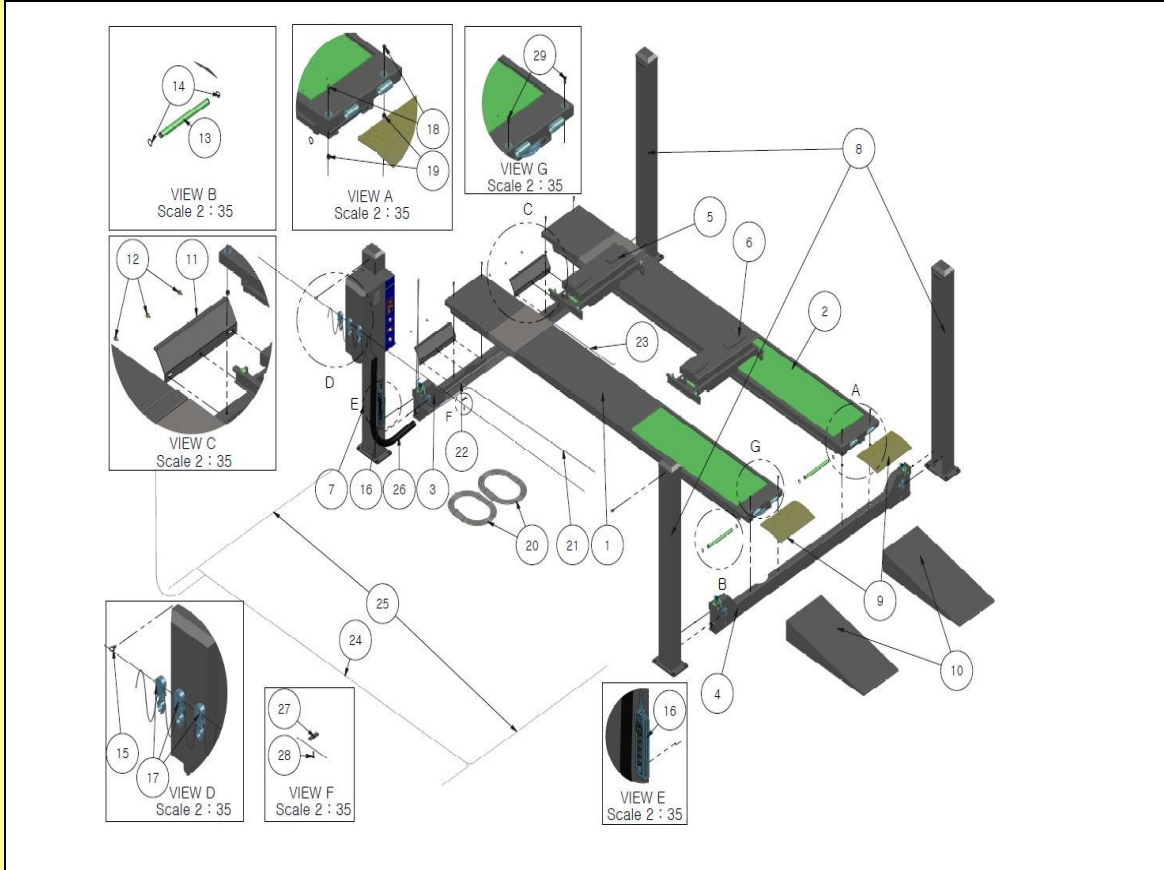


### 4 POST Hoist Part A : Assy'

Issue date : 2013-06-05  
 Revision :  
 Last Revision :



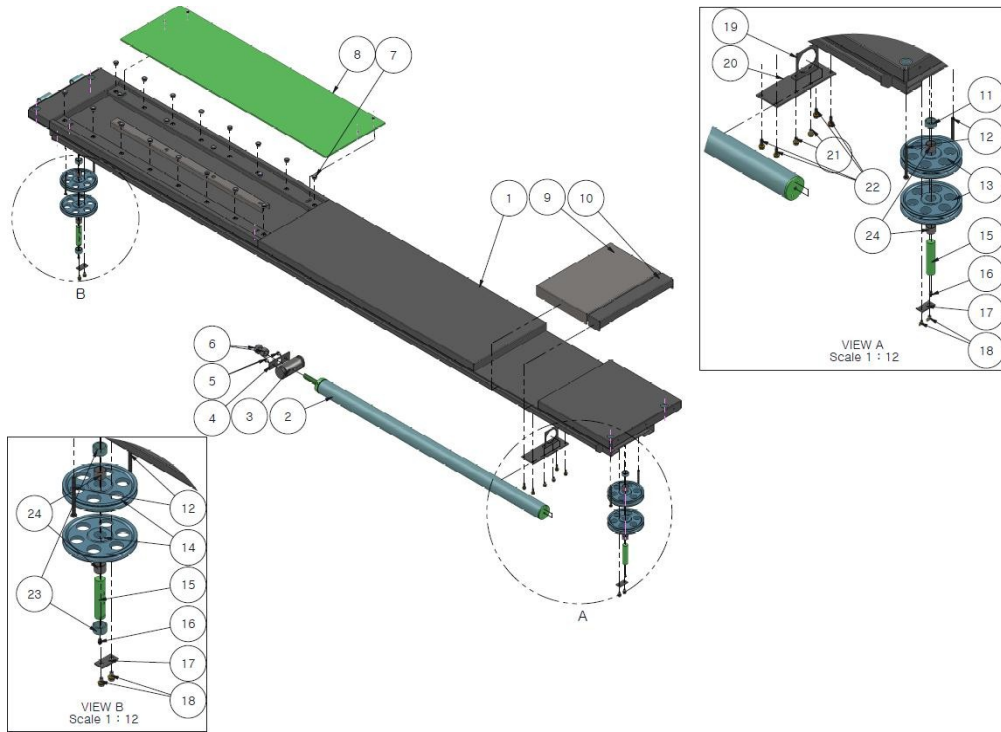
No	Part Name (Description)	Comments	Part No.			Compatibility
			SL-3500W	SL-3600L	SL-3600A	
A-1	A- MASTER PLATFORM		B4010100	B1010100	B3010100	NIL
A-2	A-SLAVE PLATFORM		B4010200	B1120100	B3120100	NIL
A-3	W-PLATFORM SUPPORT		B2040000	→	→	
A-4	W-PLATFORM SUPPORT		B2050000	→	→	
A-5	FRONT JACK		E1010000	→	→	
A-6	REAR JACK		E1020000	→	→	
A-7	MASTER COLUMN		B1020000	→	→	
A-8	SLAVE COLUMN		B1030000	→	→	
A-9	RAMP CONNECTOR		B1090000	→	→	
A-10	APPROACHING RAMP		B3140000	→	→	
A-11	FRONT STOPPER		B1010014	→	→	
A-12	HEXAGON BOLT set		P01011020	→	→	
A-13	RAMP CONNECTOR PIN		B1010012	→	→	
A-14	SNAP RING		P0901028	→	→	
A-15	I-BOLT		P0115002	→	→	
A-16	REMOTE CONTROLLER		Q1440201	→	→	
A-17	CARRY STAR		P1909031	→	→	
A-18	FLAT HEADED BOLT		P01061030	→	→	
A-19	HEXAGON NUT		P0203010	→	→	
A-20	3600A WIRE(GRESE)		P3020003	→	→	
A-21	3500 HYDRAULIC HOSE1		Q0130101	→	→	
A-22	3500 HYDRAULIC HOSE2		Q0130202	Q0130102	→	
A-23	JACK HYDRAULIC HOSE		Q0130501	→	→	
A-24	solenoid CABLE 1		P1160502	→	→	
A-25	solenoid CABLE 2		P1101033	→	→	
A-26	FLEXCIBLE HOSE		P1909024	→	→	
A-27	CABLE ARRANGEMENT PLATE		B1010013	→	→	
A-28	HEXAGON BOLT		P01010630	→	→	
A-29	FLAT HEADED BOLT		P01061040	→	→	

4 POST Part B : Platform

Issue date : 2013-06-05

Revision :

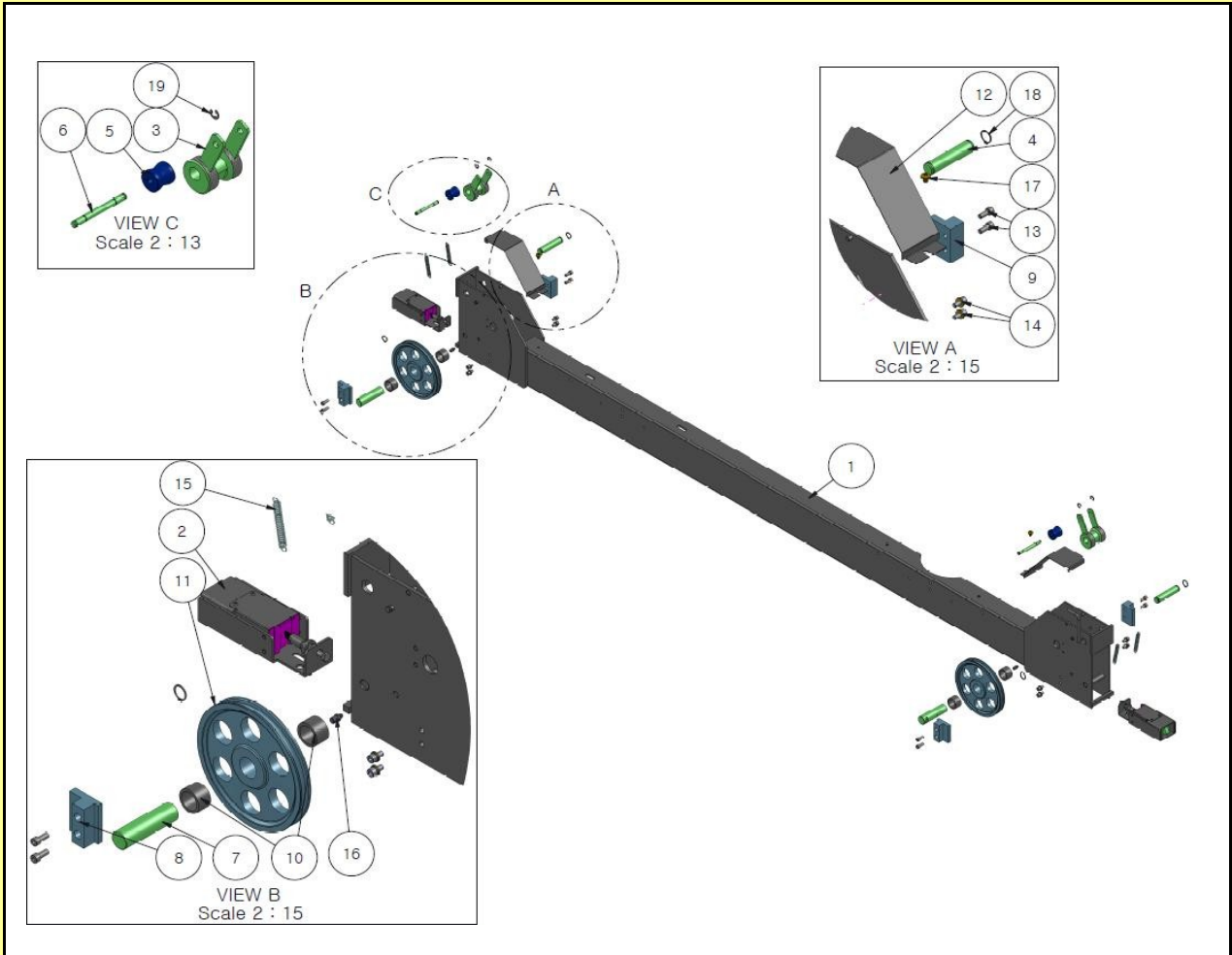
Last Revision :



No	Part Name (Description)	Comments	Part No.			Compatibility
			SL-3600A	SL-3500W	SL-3600L	
B-1	A -PLATFROM (MASTER)		B4010100	B1010100	B3010100	NIL
	A-PLATFROM (SLAVE)		B4010200	B1120100	B3120100	NIL
B-2	CYLINDER		B1010200	→	→	3600A/3500W/ 3600L
B-3	HAMMER HEAD		B1010009	→	→	
B-4	WIRE BRAKET		B1010010	→	→	
B-5	HEXAGON BOLT SET		P01011020	→	→	
B-6	HEXAGON NUT (M27)		P0201027	→	→	
B-7	BALL BEARING		P2301001	NIL	NIL	NIL
B-8	SIDE SLIP PLATE		B4010001	NIL	NIL	
B-9	TURN TABLE COVER-1		D3010012	NIL	NIL	
B-10	TURN TABLE COVER-2		D3010013	NIL	NIL	
B-11	SINGLE WIRE BUSHING		B1010011	→	→	3600A/3500W/ 3600L
B-12	HEXAGON BOLT		P010110D0	→	→	
B-13	SINGLE PULLEY		B1010004	→	→	
B-14	DUBLE PULLEY		B1010003	→	→	
B-15	PULLEY PIN		B1010002	→	→	
B-16	GREASE NIPPLE(-)		P2111001	→	→	
B-17	POST GUIDE BLOCK		B1010005	→	→	
B-18	HEXAGON BOLT		P01011020	→	→	
B-19	CYLINDER BRACKET		B1010007	→	→	
B-20	CYLINDER SUPPORT LOWER PLATE		B1010006	→	→	
B-21	HEXAGON BOLT		P01011020	→	→	
B-22	HEXAGON BOLT		P01011030	→	→	
B-23	DOUBLE PULLEY BUSHING		B1010001	→	→	
B-24	DU BUSHING		P2302019	→	→	

## 4 POST Hoist Part C : CROSS BEAM

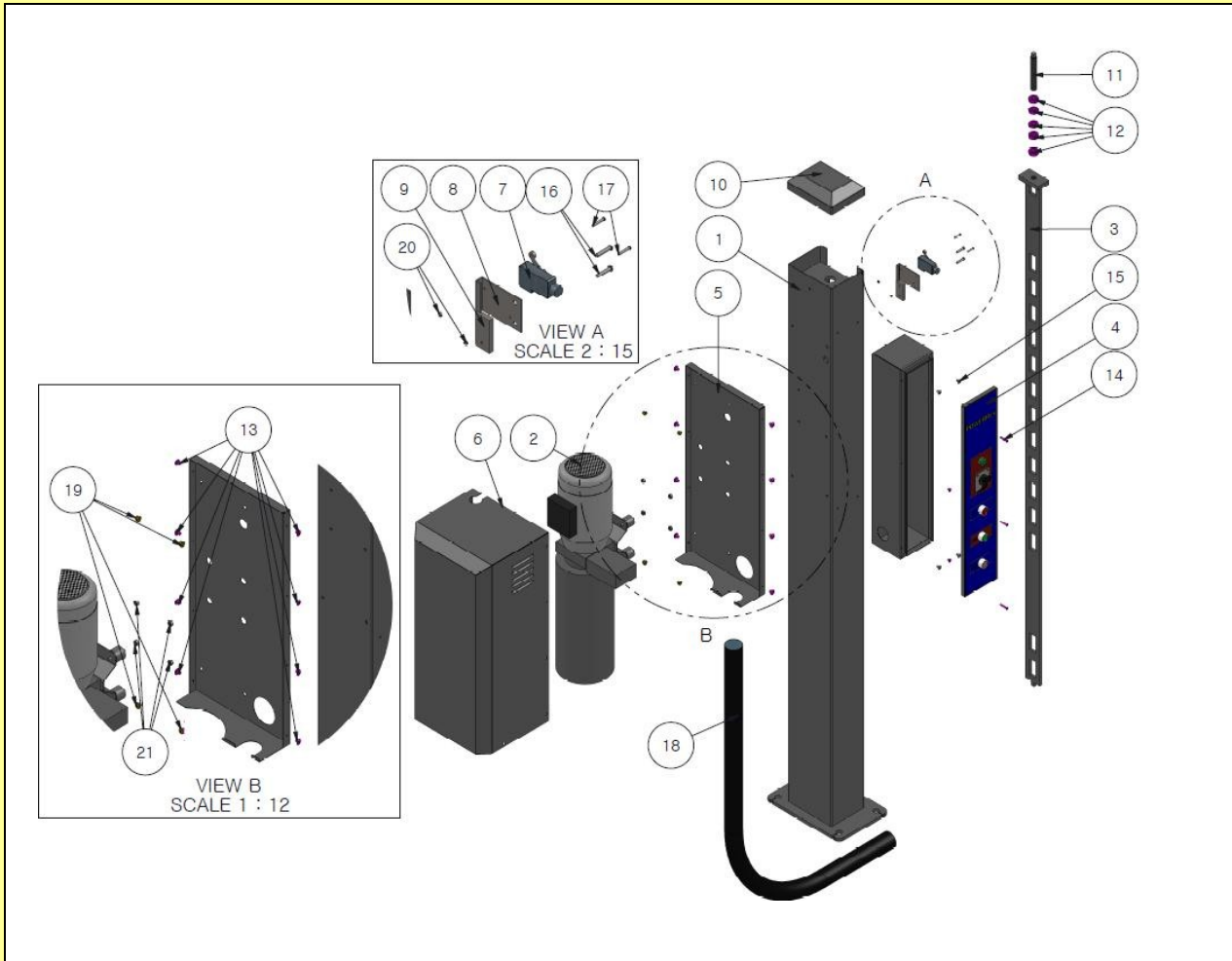
Issue date :	2013-06-05
Revision :	
Last Revision :	



No	Part Name (Description)	Comments	Part No.			Compatibility
			SL-3600A	SL-3500W	SL-3600L	
C-1	CROSS BEAM	FRONT	B2040100	→	→	3600A/3500W/ 3600L
	CROSS BEAM	REAR	B2050100	→	→	
C-2	4 POST AC SOLENOID		M1040200	→	→	
C-3	CAM LOCK ASSEMBLY		B1040001	→	→	
C-4	SAFETY ROLLER PIN		B1040002	→	→	
C-5	WIRE ROLLER		B1040003	→	→	
C-6	WIRE ROLLER PIN		B1040004	→	→	
C-7	PULLY PIN		B1040005	→	→	
C-8	POST GUIDE BLOCK		B1040006	→	→	
C-9	WHEEL COVER GUIDE		B1040007	→	→	
C-10	BUSHING		B1040008	→	→	
C-11	SINGLE PULLEY		B1010004	→	→	
C-12	WHEEL COVER		B1040011	→	→	
C-13	WRENCH BOLT		P01030825	→	→	
C-14	WRENCH BOLT S		P01030815	→	→	
C-15	SAFETY SPRING		B1040009	→	→	
C-16	GREASE NIPPLE(-)		P2111001	→	→	
C-17	ROUND BOLT		P01070807	→	→	
C-18	SNAP RING		P0901022	→	→	
C-19	E-RING		P0902010	→	→	

4 POST Hoist Part D : MASTER COLUMN

Issue date : 2013-06-05  
 Revision :  
 Last Revision :



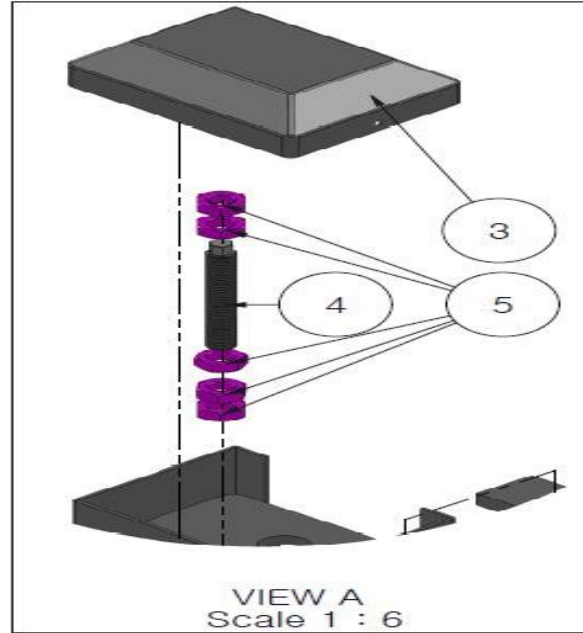
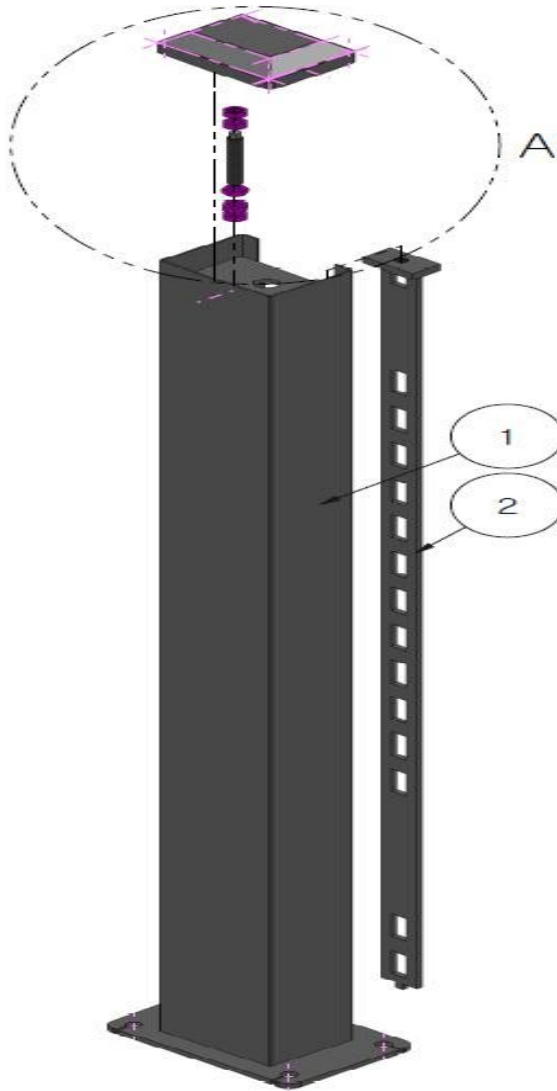
No	Part Name (Description)	Comments	Part No.			Compatibility
			SL-3600A	SL-3500W	SL-3600L	
D-1	MASTER COLUMN		B1020100	→	→	3600A/3500W/ 3600L
D-2	POWER PACK		M0201201	→	→	
D-3	LOCK RAIL BAR		B1020300	→	→	
D-4	CONTROL BOX		B1020200	→	→	
D-5	POWER PACK BOX COVER		B1020001	→	→	
D-6	POWER PACK BOX		B1020002	→	→	
D-7	LIMIT SWITCH		P1160504	→	→	
D-8	LIMIT SWITCH GUIDE		B1010017	→	→	
D-9	LIMIT SWITCH REAR GUIDE		B1010018	→	→	
D-10	POST COVER		B1010015	→	→	
D-11	RAIL BOLT		B1010016	→	→	
D-12	HEXAGON NUT (M20)		P0203020	→	→	
D-13	TRUSS BOLT		P01090513	→	→	
D-14	ROUND BOLT		P01090530	→	→	
D-15	TRUSS BOLT		P01090610	→	→	
D-16	ROUND BOLT		P01070630	→	→	
D-17	ROUND BOLT		P01070425	→	→	
D-18	FLEXIBLE HOSE		P1909024	→	→	
D-19	ROUND BOLT		P01070807	→	→	
D-20	HEXAGON NUT (M4)		P0201004	→	→	
D-21	HEXAGON NUT (M8)		P0201008	→	→	

# 4 POST Hoist Part E : SLAVE COLUMN

Issue date : 2013-06-05

Revision :

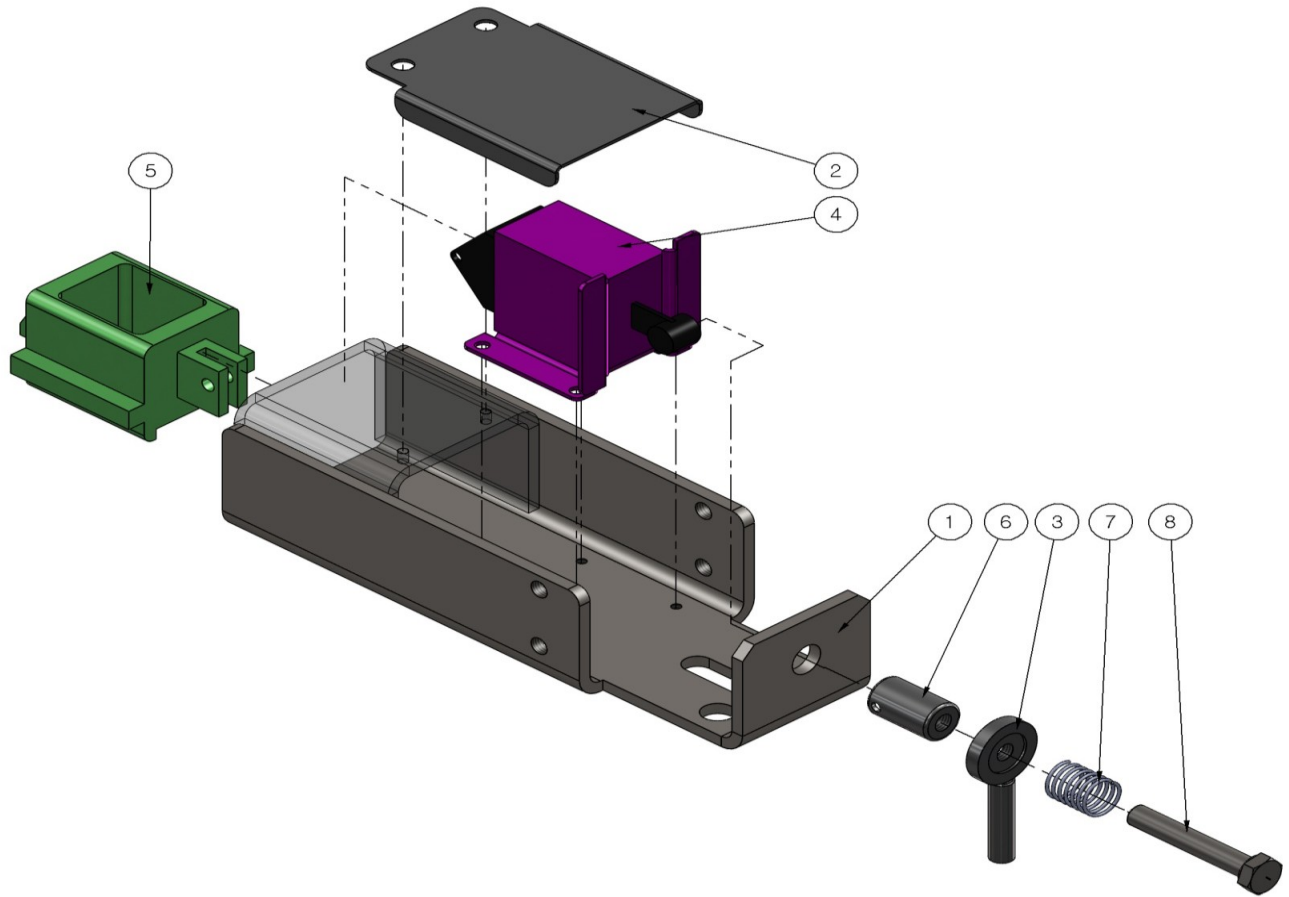
Last Revision :



No	Part Name (Description)	Comments	Part No.			Compatibility
			SL-3600A	SL-3500W	SL-3600L	
E-1	SLAVE COLUMN		B1020100	→	→	3600A/3500W/ 3600L
E-2	LOCK RAIL BAR		B1020300	→	→	
E-3	POST COVER		B1010015	→	→	
E-4	RAIL BOLT		B1010016	→	→	
E-5	HEXAGON NUT (M20)		P0203020	→	→	

4 POST Hoist Part F : SOLENOID

Issue date :	2013-06-05
Revision :	
Last Revision :	



No	Part Name (Description)	Comments	Part No.			Compatibility
			SL-3600A	SL-3500W	SL-3600L	
F-1	SOLENOID CASE		B1160100	→	→	3600A/3500W/ 3600L
F-2	SOLENOID COVER		B1160003	→	→	
F-3	MANUAL LEVER		B1160200	→	→	
F-4	AC SOLENOID		P1902003	→	→	
F-5	LOCK		B1160001	→	→	
F-6	SOLENOID CLIP		B1160002	→	→	
F-7	RETURN SPRING		Q0901029	→	→	
F-8	HEXAGON BOLT		P01010850	→	→	
F-set-1	SOLENOID MODULE SET	1~8 ASS`Y	M1040200	→	→	

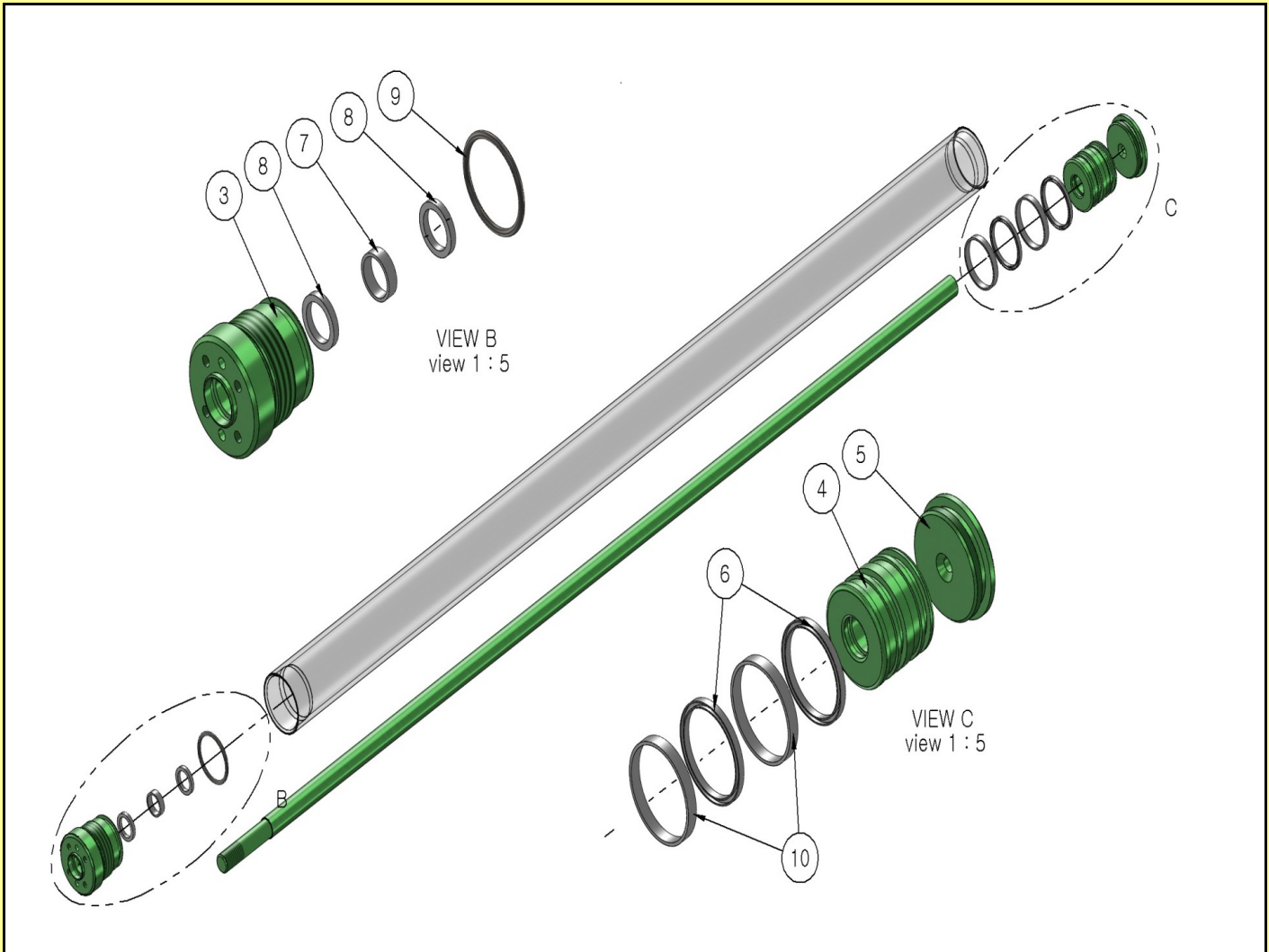
### 4 POST 4 Hoist Part G : CYLINDER

Issue date : 2013-06-05

Revision :

Last Revision :

Issue date :	2013-06-05
Revision :	
Last Revision :	

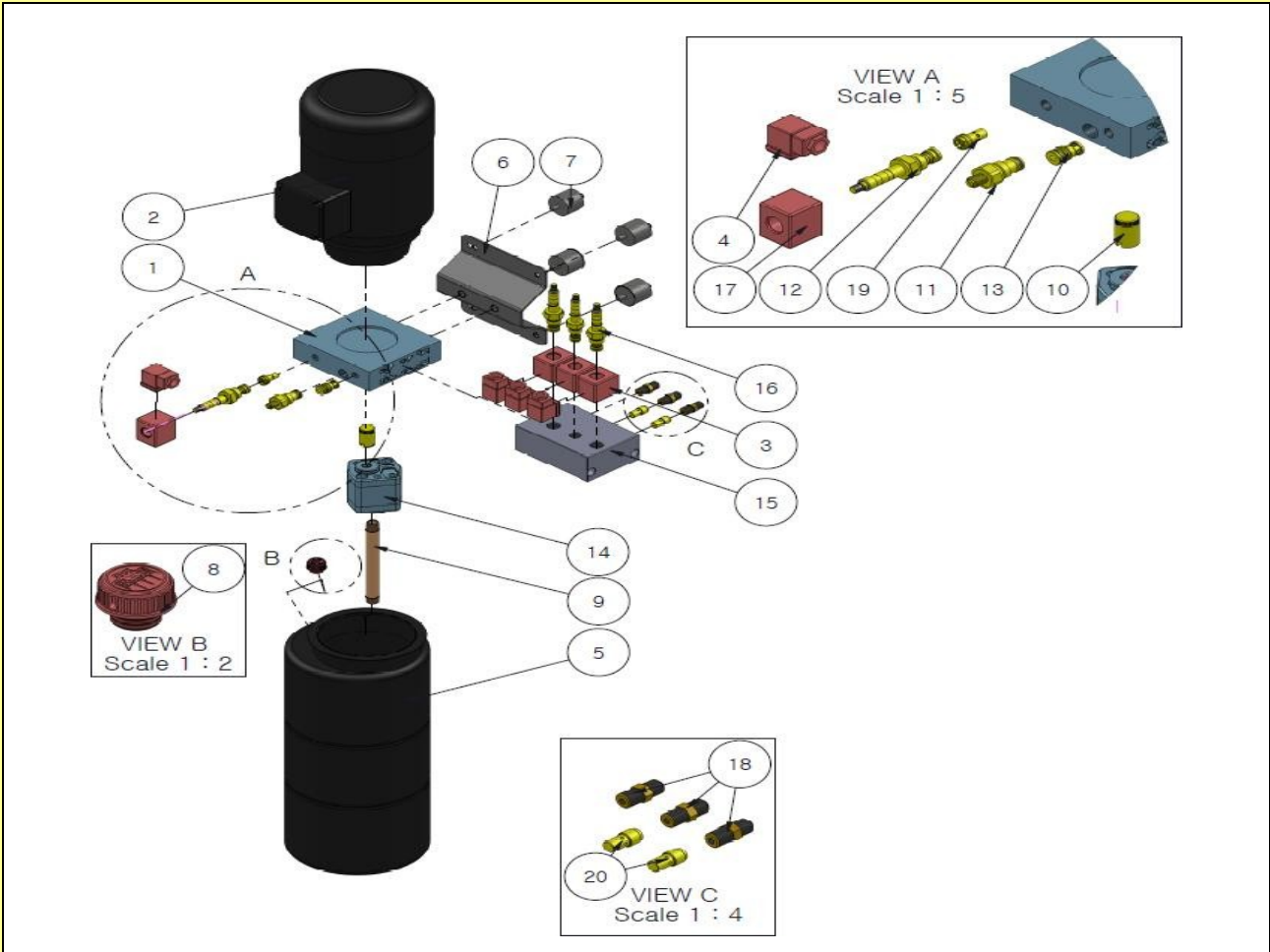


No	Part Name (Description)	Comments	Part No.			Compatibility
			SL-3600A	SL-3500W	SL-3600L	
G-1	HONING PIPE		B1010201	→	→	3600A/3500W/ 3600L
G-2	LOAD CYLINDER		B1010202	→	→	
G-3	CYLINDER HEAD COVER		P2002005	→	→	
G-4	PISTON		B1010204	→	→	
G-5	CYLINDER REAR COVER		B1010205	→	→	
G-6	ø75 U-PACKING		P2002004	→	→	
G-7	ø30 WEAR RING		P2003003	→	→	
G-8	ø30 U-PACKING		P2002005	→	→	
G-9	ø65 O-RING		P2005002	→	→	
G-10	ø80 WEAR RING		P2003005	→	→	
G-set-1	4 POST CYLINDER SET	1 UNIT	B1010200	→	→	
G-set-1	CYLINDER PACKING SET	1 SET	P2101022	→	→	



4 POST Hoist Part H : POWERPACK

Issue date : 2013-06-05  
 Revision :  
 Last Revision :

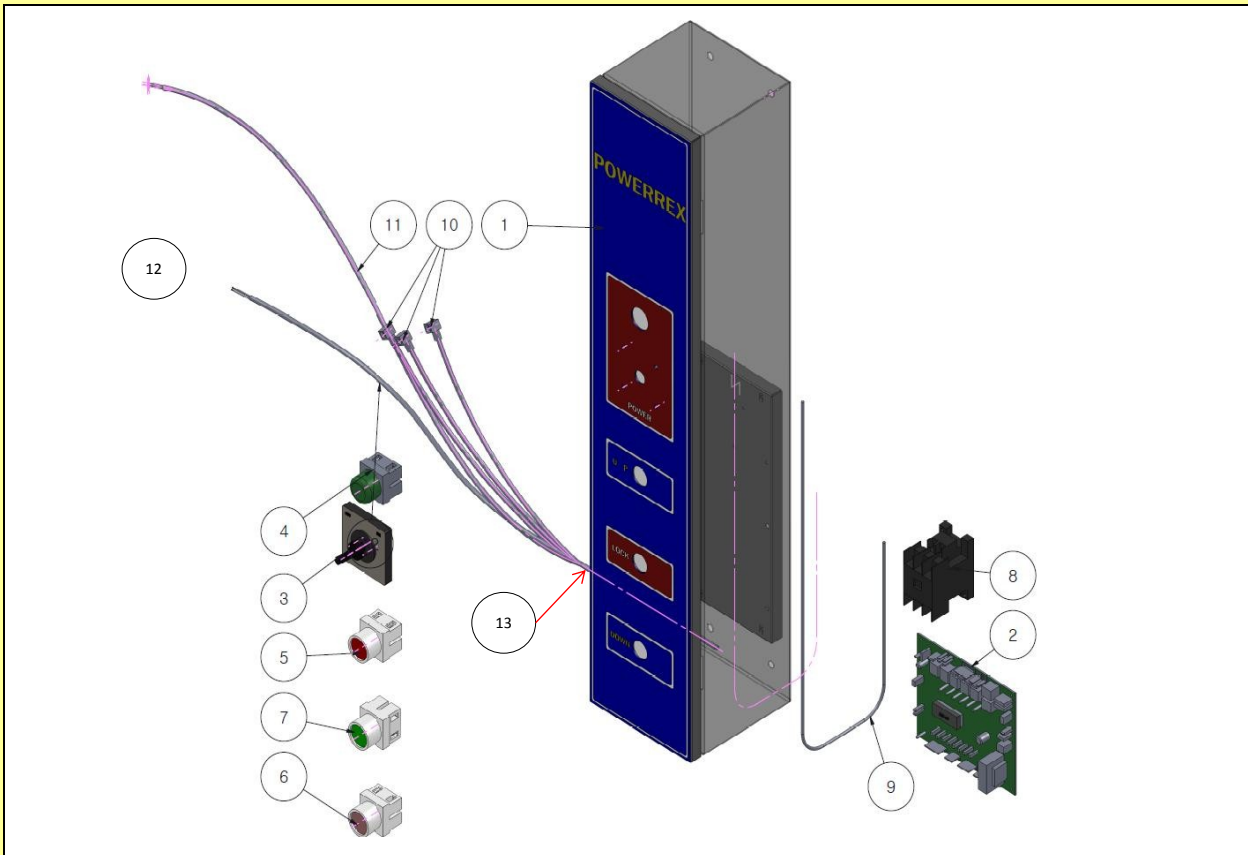


No	Part Name (Description)	Comments	Part No.			Compatibility
			SL-3600A	SL-3500W	SL-3600L	
H-1	MANIFOLD		Q0202037	→	→	3600A/3500W/ 3600L
H-2	MOTOR	1P/2.5HP	Q0202004	→	→	
		3P/2.0HP	Q0202005	→	→	
H-3	AC-SOLENOID COIL		Q0202002	→	→	
H-4	AC-SOLENOID COIL CONNECTOR		Q0202003	→	→	
H-5	OIL TANK		Q0202009	→	→	
H-6	MOTOR BRACKET		Q0202008	→	→	
H-7	CUSHION RUBBER		Q0302001	→	→	
H-8	OIL CAP		Q0202012	→	→	
H-9	SUCTION TUBE		Q0202042	→	→	
H-10	COUPLING		Q0202041	→	→	
H-11	RELIEF VALVE		Q0210402	→	→	
H-12	ONE-WAY CHECK VALE		Q0202001	→	→	
H-13	CHECK VALVE		Q0210405	→	→	
H-14	GEAR PUMP	3.7cc	Q0202020	→	→	
H-15	4POST BLOCK		Q0202038	→	→	
H-16	TWO-WAY CHECK VALE		Q0202015	→	→	
H-17	DC-SOLENOID COIL		Q0202016	→	→	
H-18	NIPPLE		P2105001	→	→	
H-19	MAIN ORIFIICE		Q0210407	→	→	
H-20	JACK ORIFIICE		Q0210406	→	→	
H-set-1	POWER PACK Ass'y		Q0201202	→	→	



### 4 POST Hoist Part I : CONTROL BOX

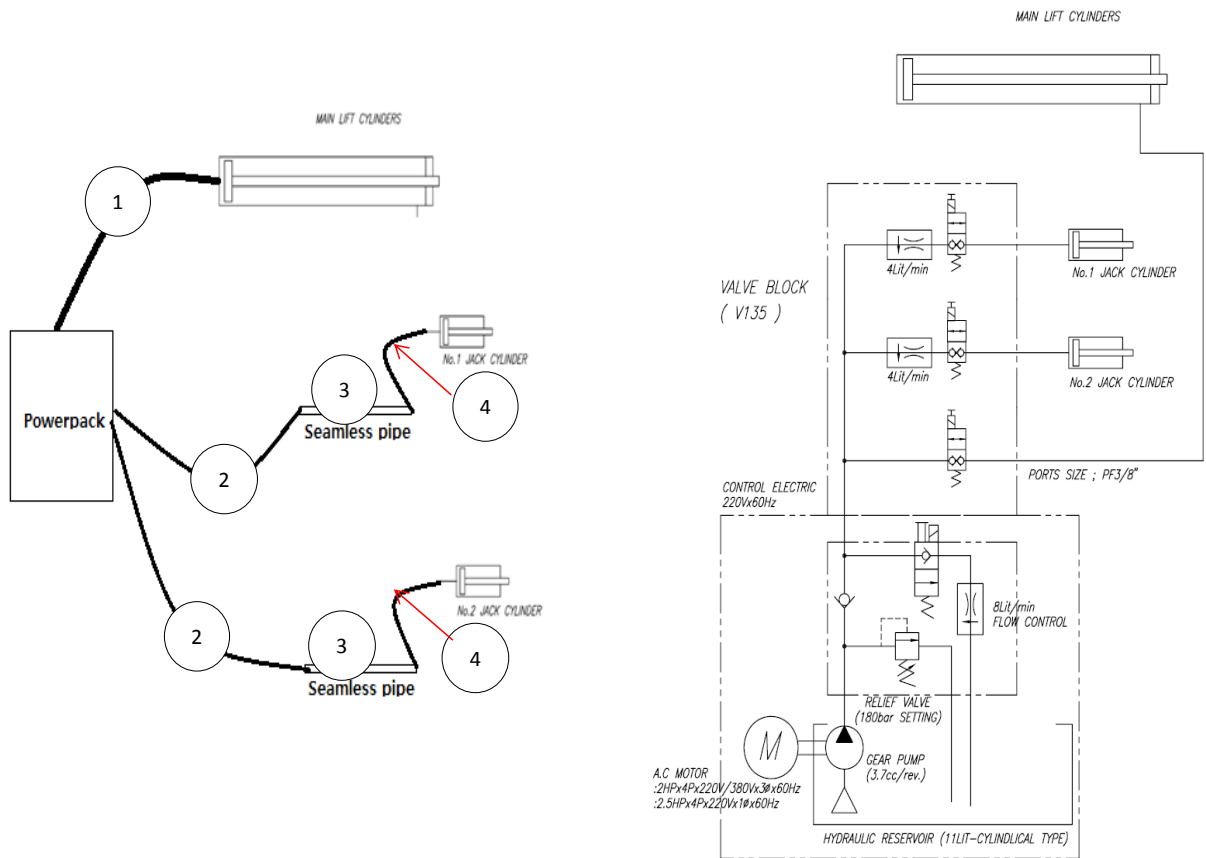
Issue date : 2013-06-05  
 Revision :  
 Last Revision :



No	Part Name (Description)	Comments	Part No.			Compatibility
			SL-3600A	SL-3500W	SL-3600L	
I-1	4 POST CONTROL BOX		B1020200	→	→	3600A/3500W/ 3600L
I-2	4 POST PCB		P1402000	→	→	
I-3	CAM SWITCH		P1201001	→	→	
I-4	NEON RAMP		P1901001	→	→	
I-5	UP-SWITCH		P1202001	→	→	
I-6	DOWN-SWITCH		P1202002	→	→	
I-7	DIRECT DOWN SWITCH		P1202006	→	→	
I-8	AC-SOLENOID COIL CONNECTOR		P1205001	→	→	
I-9	PANEL CABLE	0.75*5C*6300	P1160505	→	→	
I-10	SOLENOID CABLE	0.75*7500	P1160506	→	→	
I-11	MOTOR CABLE		P1104004	→	→	
I-12	POWER CABLE		P1104006	→	→	
I-13	COVER FILM		Q1416011	→	→	

# 4 POST Hoist Part J : Hydraulic Hoses

Issue date : 2013-06-05  
 Revision :  
 Last Revision :



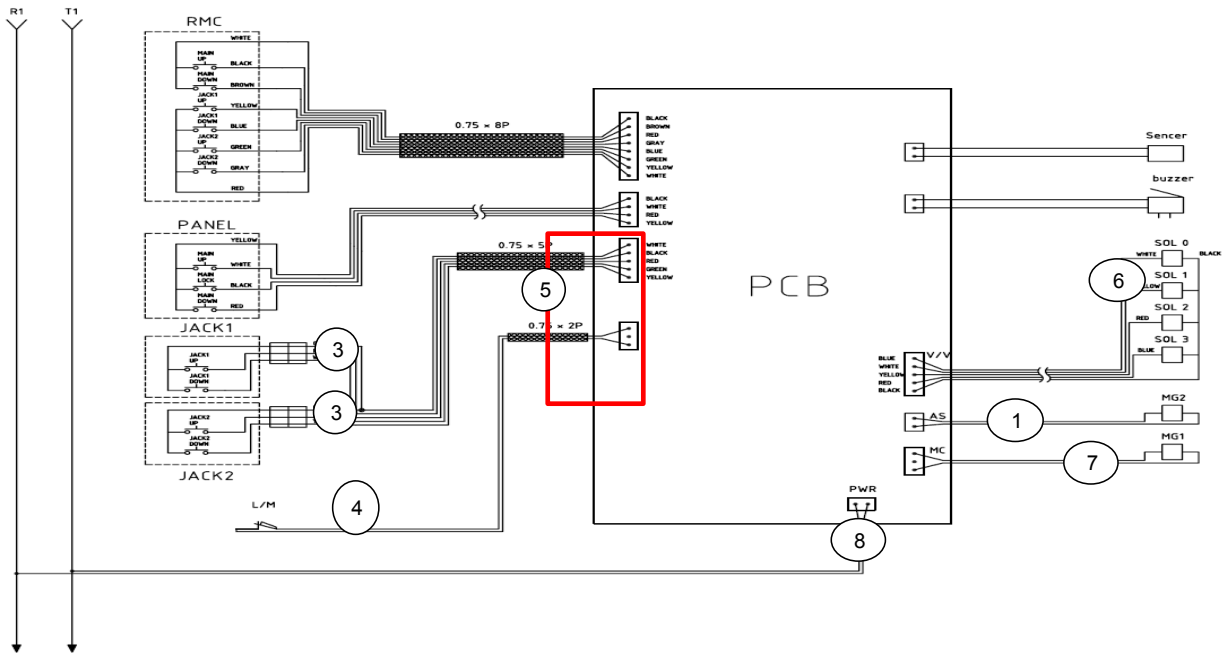
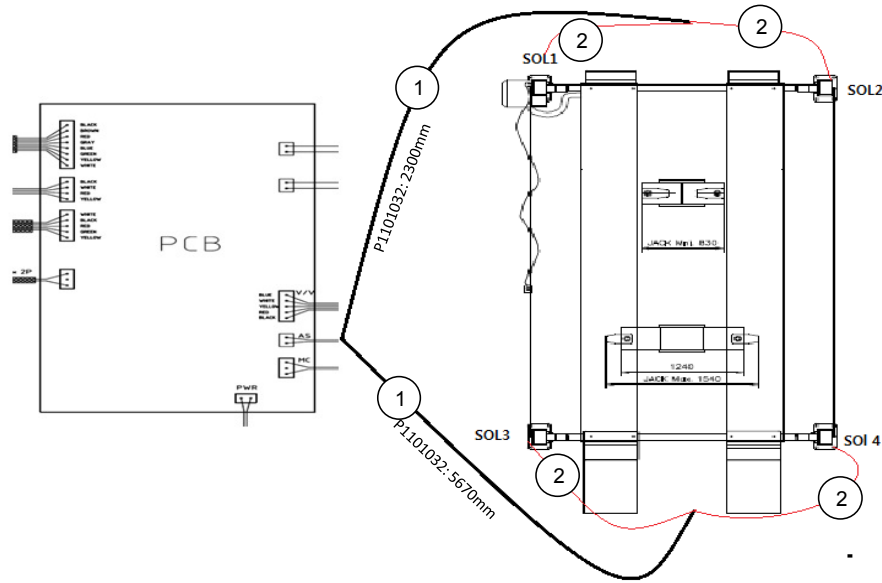
No	Part Name (Description)	Qty per hoist	Part No.			Compatibility
			SL-3600A	SL-3500W	SL-3600L	
J-1	hydraulic hose 1 (5/16*1W*4020 4/904)_ TO MAIN	1	Q0130101	Q0130101	→	3600A/3600L
J-2	hydraulic hose 2 (5/16*1W*8350 4/904)_ TO JACK	2	Q0130202	Q0130102	Q0130202	3600A/3600L
J-3	SEAMLESS PIPE	2	P2104001	→	→	3600A/3500W/3600L
J-4	HYDRAULIC HOSE FOR JACK CONNECTION (1/4*1W*380 4/4 SP)	2	Q0130501	→	→	3600A/3500W/3600L
J-set-1	4 Post HYDRAULIC HOSE SET		Q0130200	Q0130100	Q0130200	

# 4 POST Hoist Part L : Electric Wires

Issue date : 2013-06-04

Revision :

Last Revision :



No	Part Name (Description)	Comments	Part No.			Compatibility
			SL-3600A	SL-3500W	SL-3600L	
L-1	SOLENOID CABLE (L)_	0.75*2C*5670/2300	P1160502	→	→	3600A/3500W/ 3600L
L-2	SOLENOID CABLE (S) (4pcs in a unit)	0.75*2C*2550	P1160501	→	→	
L-3	JACK CABLE(2pcs in a unit)	0.75*2C*3500	P1160503	→	→	
L-4	LIMIT CABLE	0.75*2C*1300	P1160504	→	→	
L-5	PANEL CABLE _	0.75*5C*6300	P1160505	→	→	
L-6	CABLES TO MOTOR, POWERPACK		PSM3536	→	→	
L-7	POWERCABLE TO CAMSWITCH		PSC3536	→	→	
L-SET-1	4 POST CABLE SET		P1101030	→	→	