

BUILDING SITE EQUIPMENT

INQUIP
BULK MATERIAL
& DUST HANDLING

PRODUCT » DENSITY » FLOW

Distributor for  WAMGROUP

WETMIX™ V05

Mortar Mixers for Silo Applications



 WAMGROUP

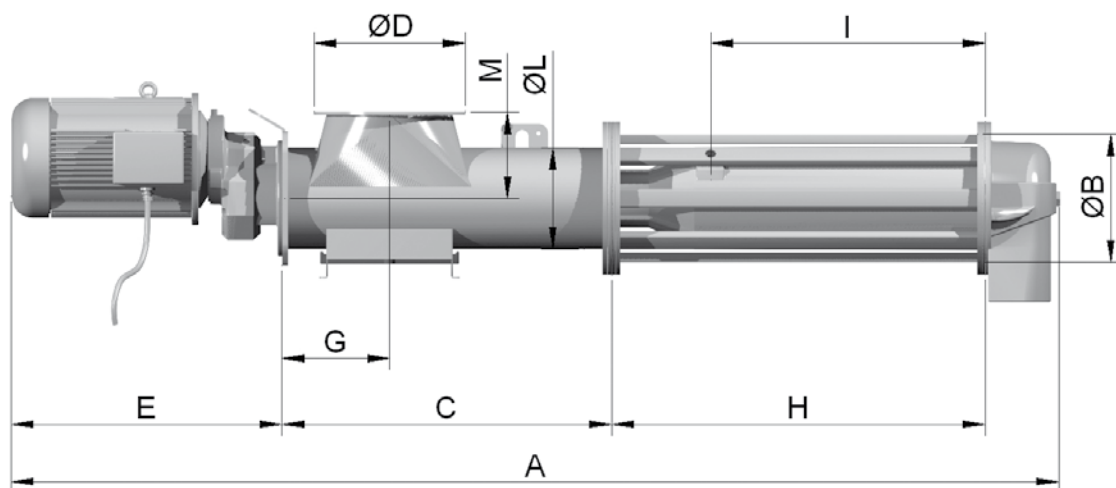
 WAM®

WETMIX™ V05 is a continuous horizontal single-shaft mixer with a mixing chamber completely manufactured from wear-proof SINT™ engineering polymer. Fitted under a small building site silo, it is used for the preparation of premixed mortars or plasters, directly on site.

The use of SINT™ engineering polymers ensures both longer durability of the mixing tools in comparison with traditional carbon steel equipment and extremely short cleaning time.

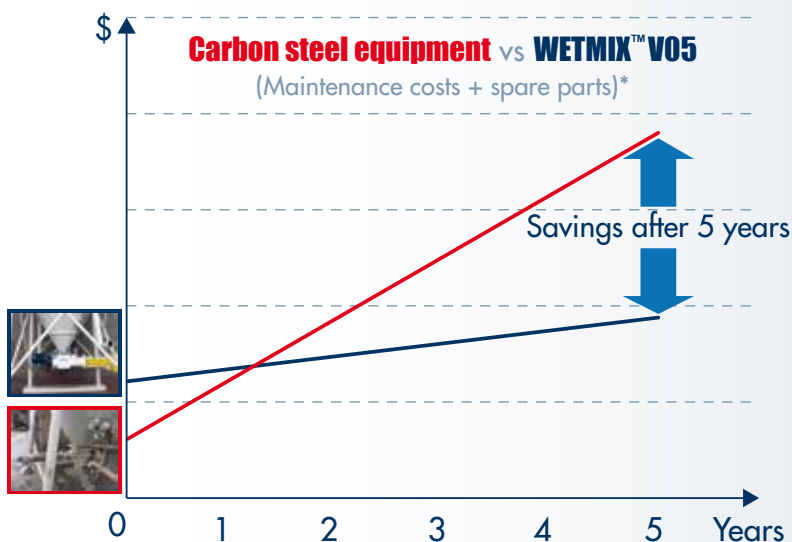
Different options are available in terms of tool type, shaft length, machine capacity and drive power, to ensure a perfect mixing quality for different mortar recipes.

Overall Dimensions



WETMIX™ V05 TYPE	A	Ø B	C	Ø D	E	G	H	I	Ø L	M	kg
WML 1S... (4.0 kW)	1,880	273	700	273	355	226	650	442	219	186	130
WML 1S... (5.5 kW)	2,115	273	700	273	590	226	650	442	219	186	146
WML 1L... (4.0 kW)	2,030	273	700	273	355	226	800	587	219	186	135
WML 1L... (5.5 kW)	2,265	273	700	273	590	226	800	587	219	186	151

Dimensions in mm



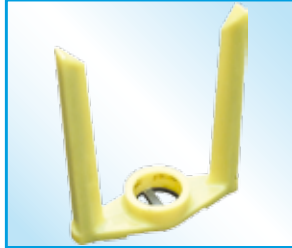
Benefits

- ✓ Homogeneous wet mortar in a few seconds;
- ✓ Self-cleaning machine;
- ✓ No waste dry material;
- ✓ Modular shaft for different types of mortar;
- ✓ Reduction of maintenance and cleaning costs;
- ✓ Quick return on investment.

1 Electric Motor



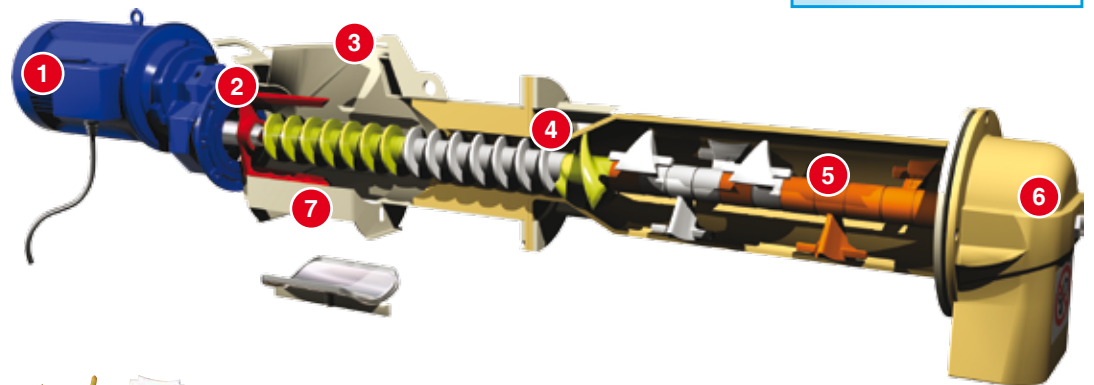
2 Agitator / Crumbling Tool



3 Inlet Spout



4 Tapered Helicoid Flight Scraper



Extraction/Feeding Zone
INTERNATIONAL PATENT

Mixing Zone

Feeder and mixer shaft manufactured from SINT™

5 Mixing Tools
INTERNATIONAL PATENT



6 Outlet Spout manufactured from SINT™



7 Inspection Hatch under inlet



Accessories

Pivoting Flange



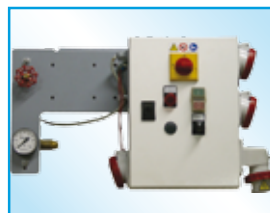
Quick Release Outlet



Agitator / Crumbling Tool



Control Panel



Water Hose & Electric Cable



Application



203001105 September 2012 Rights reserved to modify technical specifications.



www.wamgroup.com