



# AutoLift AL-9000LS

2 Post Electric Hydraulic Vehicle Hoist  
4000 Kg Lifting Capacity  
Clear Floor Design  
For Mechanical Workshop Use

## Bonus Inclusions:



One sided lock release  
for single sided operation

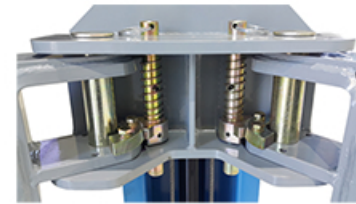


Screw adjustable pads with  
4 x 60mm 4WD height adaptors

## Optional Extras:



Base Frame  
for concrete floor  
100-125mm thick

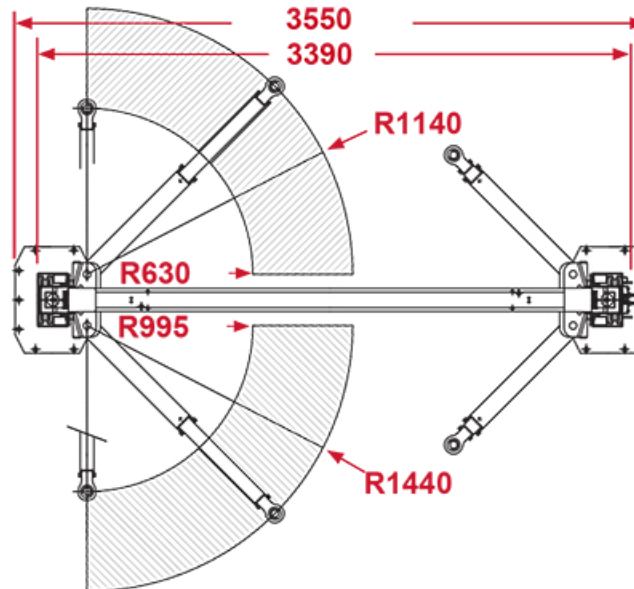
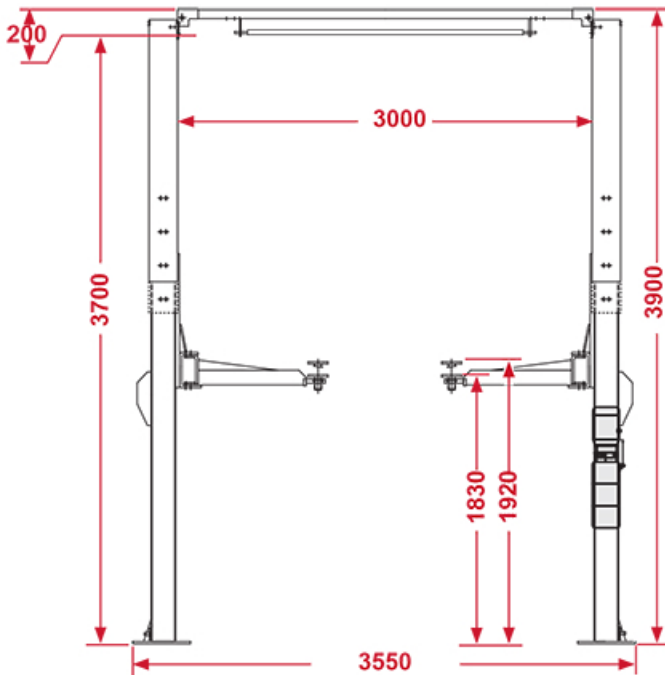


Automatic arm locks



## Specification

- Height overall: 3900 mm or 3650mm for lower height setting
- Width overall: 3550 mm
- Lifting height: 1830~1920mm
- Lowest height: 90~205mm
- Lifting capacity: 4000 kg
- Power: 240V/50Hz/1Ph (15 Amp)  
or 415V/50Hz/3Ph (20 Amp)
- Gross weight: 750 kg
- Packing Size: 2850\*940\*450 mm



## Features

- WorkSafe Design Registered
- Clear floor design for ease of working with transmission or under lift jacks, oil drainers or tool chests
- High quality powder coated finish
- Professional quality power unit
- Safety shut off valve
- Long arm two stage telescopic
- Short arm three stage telescopic
- Two stage screw adjustable pads
- Rubber door protectors
- Hydraulic cylinder covers
- Easy operation manual lock release
- Top limit switch cut-off
- 4 x 60mm height adaptors included