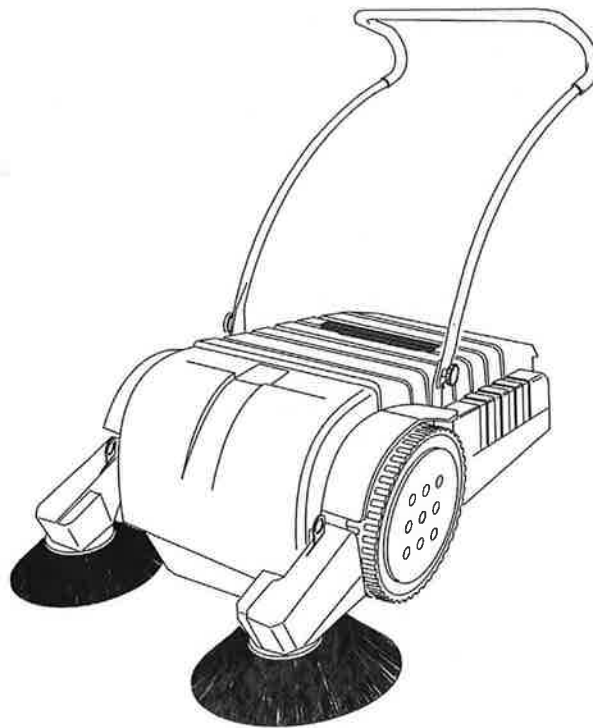




Operating manual (Translation of the original version)



SM900E
with TRS

Alphaline
PO Box 228
Salisbury
QLD 4107
Australia

Phone: 1300 655 598
Fax: 1300 733 398
www.suresweep.com.au

Table of Contents

1	Introduction.....	3
1.1	Usage conformant with intended purpose	3
2	Safety information.....	4
3	Sweeper description	Fehler! Textmarke nicht definiert.
3.1	Sweeper description	Fehler! Textmarke nicht definiert.
3.2	Initial start-up	7
4	Operation.....	8
4.1	Sweeping	8
4.2	Height adjustment of the side brushes	8
4.3	After sweeping	9
4.4	Emptying the dustbin	9
5	Maintenance.....	10
5.1	Safety Information.....	10
5.2	Cleaning.....	10
5.3	Readjusting the brush rollers	11
5.4	Setting the brush rollers	11
5.5	To lower the brush rollers	11
5.6	To raise the brush rollers	11
5.7	Removing the brush rollers	12
5.8	Installing the brush rollers	12
5.9	Side brush replacement.....	13
5.9.1	Removing the side brushes	13
5.9.2	Mounting the side brushes	13
5.10	Removing the filter	14
5.11	Filter cleaning.....	15
5.12	Changing the chain	16
5.13	Charging the battery.	16
5.14	Maintenance Chart.....	17
5.14.1	Daily maintenance	17
5.14.2	After each 50 operating hours also	17
5.14.3	After each 100 operating hours also	17
5.15	Disturbances - Disturbance Display and Remedy	18

Table of Contents

5.16	Technical Data	19
5.17	Disposal	19
5.18	Accessories and spare parts	19
5.19	Service	19
5.20	Transport.....	20
6	EC Declaration of conformity (Translation of the original version).....	21

1 Introduction

This operating manual contains instructions for using the hand-operated sweeper.

Our products are subject to continuous improvement. Therefore, design changes that were made after this manual went to print could not be incorporated. If you have any questions, please contact our Service department.

The operating manual must be read and applied by all persons who operate the sweeper.

Apart from the operating manual and the regulations for accident prevention applicable in the country of use and the location of use, the common, recognised rules for safe and technically correct working must also be followed.

1.1 Usage conformant with intended purpose

The appliance is intended exclusively for sweeping on solid surfaces (for example.: parking areas, walkways, shop floors). The area to be swept should not be wet.

The sweeper may only be used by reliable and instructed personnel. Prevent children, juveniles and other unauthorised persons from using the machine (e.g. by pulling out the key after use).

Any other use, or any use over and above that, will be considered to be non-conformant with intended purpose. The manufacturer rejects any and all liability for damage resulting from such use. The risk is that of the user alone.

Usage conformant with intended purpose also includes compliance with the operating manual and the inspection and maintenance specifications. Drive the sweeper only along expressly marked routes and spaces.

2 Safety information

1. The machine should only be used in a flawless state, as well as in keeping with its intended purpose, in a safety-conscious and risk-conscious manner and in compliance with these operating instructions.
2. In addition to the operating manual, please heed general legal and other binding regulations for accident prevention and environmental protection.
3. Sweeping and picking up of flammable, toxic or explosive substances, along with flammable gases or diluted acids and solvents, burning or smouldering objects is prohibited!
4. The appliance is not suitable for picking up fluids, cables, cords, wires or the like.
5. The machine should only be used with the dust box fitted to prevent injuries caused by parts being slung out.
6. Transporting loads with the sweeper is not allowed.
7. Faults should be eliminated immediately, particularly those that could impair safety.
8. Do not make any changes, modifications or additions to the sweeper without the approval of the manufacturer.
9. Replacement parts must meet manufacturer specifications. This is always ensured by using original replacement parts.
10. Ensure that operating media, auxiliary media and replacement parts are disposed of in a safe and environmentally-friendly manner, particularly batteries!
11. Suitable non-slip footwear should be worn to avoid accidents.
12. If you have any questions, please contact our Service department.
13. Persons (including children) who are not able to use this machine safely due to their physical, sensory or mental capabilities or their inexperience or lack of knowledge may not use this machine without the supervision or instruction by a responsible person! Children should be supervised to ensure that they do not play with the appliance.
14. Caution: loose clothing can be caught and drawn in on rotating parts.
15. The operating instructions provided by the battery manufacturer relating to his product and legal specifications for the handling of accumulator batteries should be heeded!

16. Charge flat batteries directly after use and only in well-ventilated rooms.
17. Keep naked flames and electrical sparks away from the charging area, since a highly-explosive electrolytic gas mixture is generated when batteries are being charged.
18. Note that the accumulator batteries are filled with battery acid.
19. Batteries should always be kept clean and dry to avoid leakage currents! Never short-circuit battery poles!
20. Smoking, eating and drinking should be avoided in the vicinity of the battery charging station to avoid risks to health.
21. Batteries should only be charged with the hood opened and secured with the holder.

3 Sweeper description

3.1 Sweeper description

The battery-operated sweeper has been equipped with two side brushes and two counter-rotating brush rollers.

The sweeping mechanism features two side brushes which convey the refuse to the two brush rollers that are mounted parallel to the direction of motion.

The brushes throw the refuse overhead in the rear dirt collector.

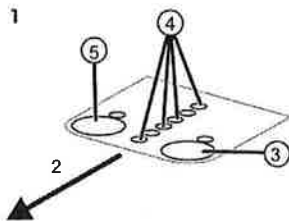
A chain drives the brush rollers, and a V-belt drives the side brushes through the forward motion of the running wheel.

The top model of the SM900 series is the SM900E_{with TRS}, which has been equipped with a dust extraction unit (V) and a brush roller drive (B).

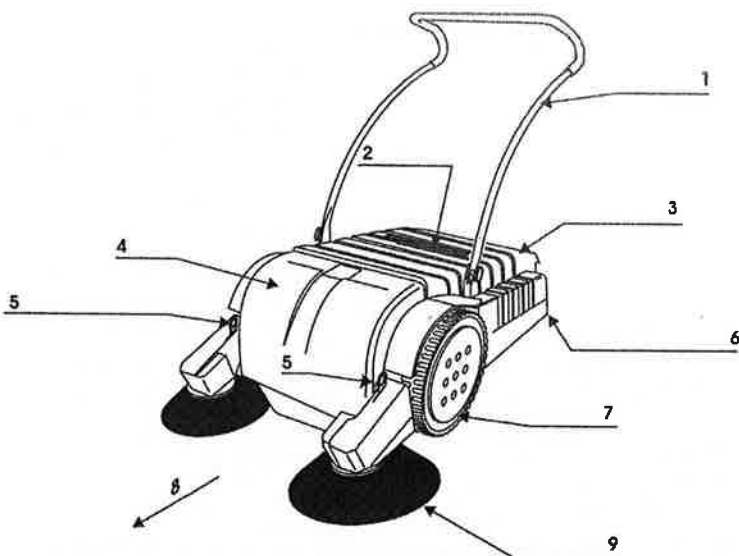
The electronic system provides for a soft start feature, which ensures that the drive does not run at full power all of a sudden.

The SM900E_{with TRS} sweeper is driven by manual power only, in other words, by pushing the driving hoop.

The brush roller drive of the SM900E_{with TRS} does not serve as a drive unit.



- | | |
|--|---|
| 1 Control Panel | 2 Forward drive |
| 3 Start/Stop button of the brush roller drive (applies to B and VB models) | 4 Start/Stop button of the suction system |
| 5 Battery status display | |



- | |
|--|
| 1 Driving hoop |
| 2 Hood |
| 3 handle |
| 4 Dustbin |
| 5 Height adjustment for right side brush |
| 6 Running wheel |
| 7 Height adjustment for left side brush |
| 8 Side brushes |
| 9 Steerable rear wheel |
| 10 Forward drive |

3.2 Initial start-up

Unpacking and assembly

Open the packaging and carefully lift the machine off the pallet.

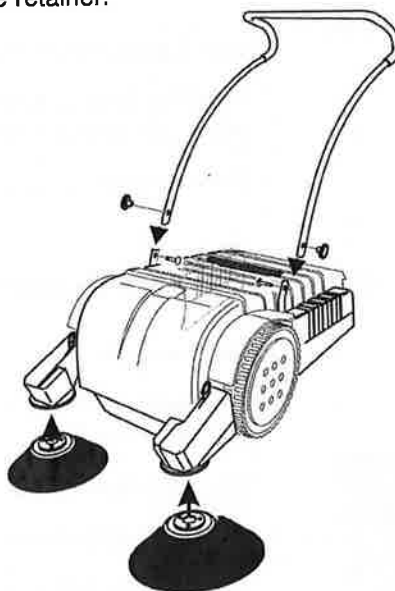
CAUTION!



Danger of Injuries!

Reach under the frame of the machinery to lift it. There is a risk of injury if you attempt to lift the machinery at the hood, the side brush retainer, or the dustbin.

- Place the driving hoop on the retainers.
- Slide the square necked bolts through the bore holes in the driving hoop and the retainer.



- Use the star knobs to secure the square necked bolts. Set the side brush arms to the top position.
- Position the side brushes under the side brush retainers.
- Turn the side brushes until the bore holes of the side brush disc line up with the pins of the side brush retainer.
- Push the side brushes into the side brush retainers until you feel the side brushes lock into place.
- Connect the battery.

The sweeper is ready for operation.

4 Operation

4.1 Sweeping

Lower the side brushes until the tips touch the ground.

To turn on the desired sweeping function, select and push the button for the desired function on the control panel.



Always use the button on the left first, regardless of the model.

Turn on the brush roller drive.

Only then push the button on the right on the model. (Dust extraction unit on)

Push the sweeper across the area to be swept at a normal pace.

Since the sweeping performance depends on the speed of the brush rollers, you should neither walk too slowly nor too quickly. (e.g. run)

The side brushes remove dirt from corners and edges.

4.2 Height adjustment of the side brushes

The side brush arms are located on the front side of the sweeper.

The height adjustment fixtures for the side brushes are located on the side brush arms.

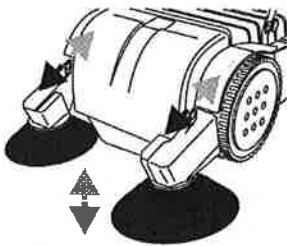
You can lower or raise both or just one side brush as needed.

To lower a side brush:

- Push the lever of the side brush adjustment fixture to the front.

To raise a side brush:

- Pull the lever to the back.



4.3 After sweeping

- Push the respective button on the control panel to turn off all the actuators and park the sweeper in a safe location.
- Empty the dustbin in a suitable container.



Make sure the container is appropriate for this type of refuse.

Insert the dustbin back into the sweeper. Set the side brushes to their top position.

Unless the side brushes are set to their top position, the bristles of the side brushes will be put under permanent load in their off-position and consequently will wear prematurely when used.

4.4 Emptying the dustbin

In order to ensure proper sweeping performance, the dustbin has to be emptied at regular intervals.

A handle is located on the top of the dustbin.

- Hold on to the handle and lift the dustbin out of the sweeper's frame.
- Empty the dustbin in a suitable container.
- Insert the dustbin back into the sweeper.
- Do not park the sweeper with a full dustbin. Always empty the dustbin once you've finished sweeping.



5 Maintenance

5.1 Safety Information

Only complete the type of maintenance work described in the following chapter. All other maintenance and upkeep work may only be carried out by the manufacturer or by companies and persons authorised by the manufacturer, who are familiar with the relevant safety specifications, because portable devices in industrial use are subject to the safety test according to VDE 0701.

Closely follow the steps listed in the maintenance instructions. The improper completion of maintenance tasks may result in malfunctions when using the sweeper and may possibly render the warranty granted null and void.

When working on the electrical system, the battery should be disconnected.

Maintenance work/ troubleshooting at the electric motor must not be done while the electric motor is running.

Use only flawless and appropriate tools to complete maintenance work.

Note the requirements for spare parts.

If covers and/or safety devices were removed during maintenance work/repairs, they will have to be reattached prior to starting the sweeper.

For carrying out any work on the sweeper, it must be switched off and secured from rolling away by accident.

5.2 Cleaning

The suction sweeper may only be cleaned in the off state, when it is dry.

The suction sweeper is a machine with electrical components.

WARNING



Moisture damages the electronics of the device. Moisture can result in leakage currents and short-circuits!

Do not use any high-pressure cleaners

5.3 Readjusting the brush rollers

The height of the brush rollers can be adjusted to obtain the best possible cleaning results of the area to be swept and to effectively exploit the efficiency of the brush rollers.

The brush rollers need to be lowered once the sweeping performance starts to wane due to wear and tear of the brush rollers, or if the area to be swept is not level (bumpy).

If pushing the sweeper seems to become harder and you can hear the brush rollers scratching the ground, you will have to raise the brush rollers to ensure you use the sweeper ergonomically and to prevent the brush rollers from wearing prematurely.

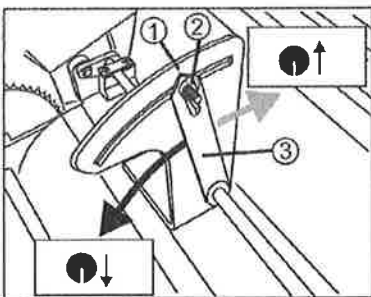
On principle, the brush rollers should be set to ensure that they touch the ground at slight pressure.

5.4 Setting the brush rollers

- Park the sweeper on level ground that has been designated (assigned) for this purpose.
- Make sure the sweeper has been secured from rolling away by accident.
- Open the hood.

The rear trim panel of the frame reveals the height adjustment bracket to adjust the height of the brushes.

5.5 To lower the brush rollers



- Undo wing nut -2- on the height adjustment bracket -1-.
- Push down the rocker arm -3- in the direction of motion.

The brush rollers are lowered.

- Tighten wing nut -2- on the height adjustment bracket -1-.
- Test the sweeper.

Readjust if necessary.

5.6 To raise the brush rollers

- Undo wing nut -2- on the height adjustment bracket -1-.
- Push down the rocker arm -3- in the direction of the dustbin.

The brush rollers are raised.

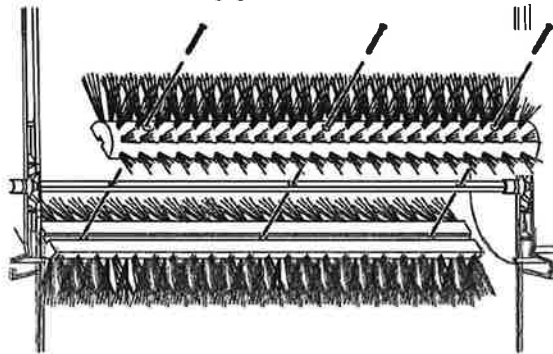
- Tighten wing nut -2- on the height adjustment bracket -1-.

- Test the sweeper.

5.7 Removing the brush rollers

Every brush roller consists of two split shells with brushes. Screws join the split shells.

- Park the sweeper on level ground that has been designated (assigned) for this purpose.
- Make sure the sweeper has been secured from rolling away by accident.
- Remove the dustbin.
- Turn the sweeper on its back.
- Make sure the running wheels can move freely.
- Turn the top running wheel until you can see the screwed connections on the brush roller.
- Undo the screwed connections.
- Lift the split shells with the brush rollers off the shaft.
- If needed clean the running gear box and the shaft.



5.8 Installing the brush rollers

The split shells have square recesses, which retain the brush roller shaft.

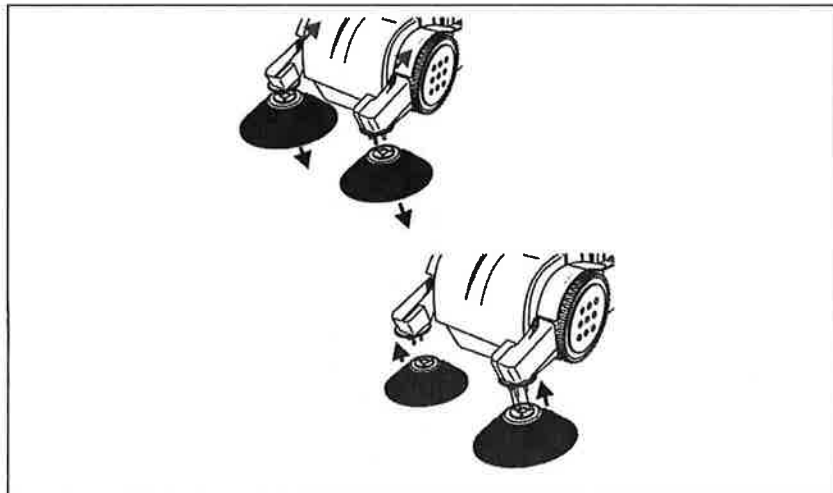
- Position the first split shell under the square shaft of the brush roller.
- Make sure the shaft fits flush into the recess of the split shell.
- Position the second split shell on top of the square shaft of the brush roller.
- To tighten use three screws for each set of brushes. Tighten until you can no longer see a gap between the split shells.

5.9 Side brush replacement

5.9.1 Removing the side brushes

Park the sweeper on level ground that has been designated (assigned) for this purpose.

- Turn off the sweeper (all actuators).
- Make sure the sweeper has been secured from rolling away by accident.
- Lift the side brushes.
- Reach under the side brushes.
- With your fingers squeeze together the snap-in fixtures in the centre of the side brush retainer.
- With a downward motion, pull off the side brushes.
- Replace the side brushes.



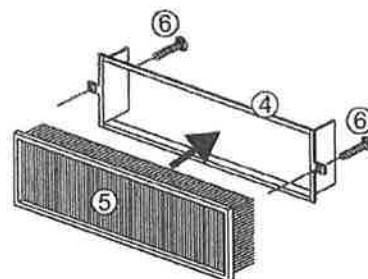
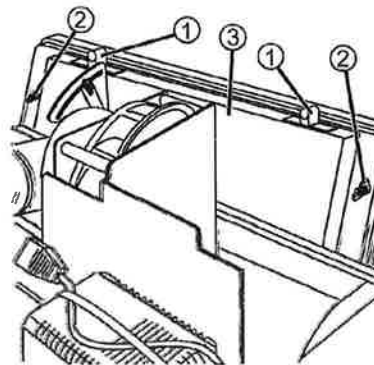
5.9.2 Mounting the side brushes

- Position the side brushes under the side brush retainers.
- Turn the side brushes until the bore holes of the side brush disk line up with the pins of the side brush retainer.
- Push the side brushes into the side brush retainers until you feel the side brushes lock into place.

5.10 Removing the filter

The sweeper has to be off if you're planning to take out the filter.
(All actuators off)

- Turn off the sweeper (all actuators).
- Make sure the sweeper has been secured from rolling away by accident.
- Remove the dustbin.
- Open the hood.
- Two wing nuts -2- are located on the trim panel of the ejector -3-.
- Remove these wing nuts.
- Pull out the filter frame -4- with the filter -5- from the trim panel of the ejector -2- in the direction of the dustbin retainer



5.11 Filter cleaning

To consistently attain the best possible cleaning results, you must always clean the lamellar filter prior to emptying the dust bin.

Likewise, you should also clean the filter if particularly dusty areas are swept, or if dust is whirled up during sweeping.

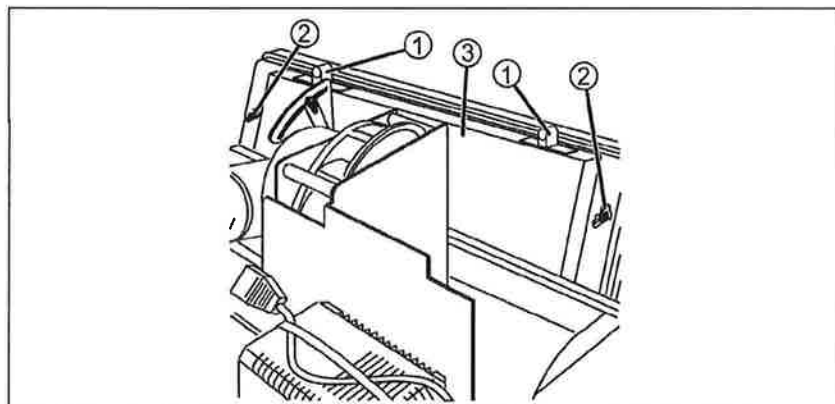
The sweeper has been equipped with a mechanically operated vibrating device to

clean the lamellar filter.

- Turn off the sweeper (all actuators).
- Make sure the sweeper has been secured from rolling away by accident.
- Open the hood.
- On the top of the ejector's trim panel -3- two slides -1- are located.
- Swiftly slide these slides back and forth.

These slides initiate a vibrating mechanism, which works loose the dust from the lamellar filter. The worked off dust drops directly into the dust bin.

To remove stubborn dirt, you should use a brush to clean off the filter or take out the filter and gently knock off the dirt.



5.12 Changing the chain

- Detentioning or tensioning of the chain is preceded by turning/ moving the DC-motor or the sprocket-support.
- Position the machine on an appropriate surface.
- Make sure the machine is blocked against possible movement
- Open the cover.
- Loosen the screws of the DC-motor or the sprocket-support to move the support by rotating it around the front/ first screw.
- **By lowering the DC-motor or the sprocket-support, the chain is detentioned e.g. for changing the chain.**
- **Moving up the DC-motor or the sprocket-support tensiones the chain.**
- Tighten the screws before operating the machine.
- The tension of the chain is supported by the automatic chain-tensioner.

5.13 Charging the battery.

The machine has an on-board-charger.

Position the machine on an appropriate surface close to a socket.

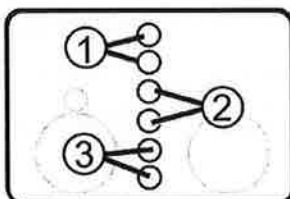
Switch the machine completely of.

Make sure the machine is blocked against possible movement

Open the cover.

Connect plug 1 of the charger using the cable delivered with the machine and connect plug 2 to the 230 V socket.

Only the original charging-cable is to be used: the use of a different cable makes you lose warranty on the machine and might cause damage.



-1- ready/battery charge ok

-2- ready/battery charge low

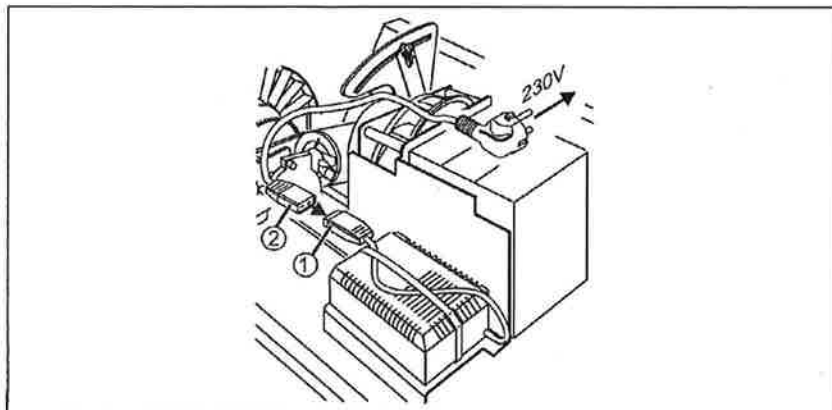
-3- ready/battery charge not ok

When charging is finished, the green LED on the charger will on. (Meaning of the LED: see appendix: operator's manual of the charger).

The machine can only be operated if disconnected after charging.

Make sure the machine is charged before use. The charger contains an electronic device that keeps current of the battery on a constant level so the machine can be kept on the charger for a longer period without causing any damage.

The machine contains a deep-discharge protection and automatically switches off if such level is reached to protect battery from damage.



5.14 Maintenance Chart

5.14.1 Daily maintenance

- Charge battery.
- Check if machine is damaged or impaired in any way.
- Empty dust container.
- Search brush - roller tunnel for jammed particles and seized up dirt that may narrow the brush tunnel and obstruct free roller brush movement.
- Check condition of dust filter and clean if necessary.

5.14.2 After each 50 operating hours also

- Check if sweeping rollers are worn or cluttered. Replace if required.
- Check sweeping contour, readjust if required.
- Check if side brush adjustment is worn, if required readjust or replace.

5.14.3 After each 100 operating hours also

- Check cable isolation, replace cables if required.
- Search suction for obstacles, clean.
- Check if roller drive chain is elongated or loosened.
- Check all bearings for wear.
- Check if seals are damaged or dislocated.
- Check if cable connections are tight.
- Clean dust filter, replace if necessary.

5.15 Disturbances - Disturbance Display and Remedy

Disturbance	Possible Cause	Remedy
No operation of one of the electrical consumers:	Fault in electrical wiring	Check plug connections
	Battery empty	Charge Battery
Sweeping result unsatisfactory	Side brush(es) or main sweeping rollers not lowered	Lower
	Side brush(es) or main sweeping rollers worn	
	Trajectory clogged by dirt	Check if roller trim panel is impaired by jammed
	Sweeping roller(s) do not operate	debris. Correctly fitted? if required switch off side brushes
	Brush rollers are jammed by dirt, cords, strings or the like	Dismount brush rollers and clean them Check side brushes and remove obstacles
	Drive wheels obstructed	Jack up the Sweeping & Suction Machine check wheels and free running
In addition, the following applies to MTX-900-V TRS and MTX-900-VB TRS		
	Filter heavily polluted	Open the ventilation flap
	Filter not correctly fitted	Clean filter
	Leakage and subsequent aspiration of false air in the filter chamber	check for tight fit check if false air is sucked in
	Ator does not move freely	Check ventilator wheel and remove any obstruction

5.16 Technical Data

Dimensions and Weight	
Length	1091 mm
Width	760 mm
Height	416 mm
Weight	30-46 kg
Sweeping Width	
Main sweeping roller	500 mm
With one side brush	700 mm
With two side brushes	900 mm
Dust Container Volume	50 ltr
Battery voltage	12 V
Battery capacity	28 Ah bzw. 56 Ah

5.17 Disposal

Dispose of faulty parts, especially electrical components, batteries and plastic parts according to the locally applicable waste disposal specifications.

Used batteries must be disposed of according to Directive 2006/66/EC.

5.18 Accessories and spare parts

Accessories and spare parts must conform to the requirements of the manufacturer. This is ensured by using genuine replacement parts.

5.19 Service

Alphaline
PO Box 228
Salisbury
QLD 4107
Australia
Phone: 1300 655 598
Fax: 1300 733 398
www.suresweep.com.au

5.20 Transport

Transport the machine only in the switched-off condition, sufficiently well fastened.

6 EC Declaration of conformity (Translation of the original version)

according to the EC Machine Directive 2006/42/EC, Appendix II, No. 1A

Mr. Kai Stolzenberg – Management of the Stolzenberg GmbH & Co. KG, Hamburger Straße 15-17, D-49124 Georgsmarienhütte - is authorized to arrange technical information.

We hereby declare that the machine described below corresponds, in its conception and construction, as well as the model brought into use by us, to the basic safety and health requirements of the EC Machine Directive 2006/42/EC. In case of a change being made that has not previously been agreed with us, this declaration will lose its validity.

Manufacturer:	Alphaline, PO Box 228, Salisbury, AU - Queensland 4107
Designation of the machine:	Matrix V B VB
Machine type:	Suction sweeper with tandem-roller-system
relevant EC Directives:	Directive 2006/42/EC Directive 2000/14/EC Directive 2004/108/EC

The following standards, in particular, were applied:

EN 292
EN 294

DIN EN 61000-6-2
DIN EN 60335-1
DIN EN 60335-2-69
DIN EN 60335-2-72

Salisbury, 02.02.2011

.....
(General Manager)

