

Regency™ Care Chair (narrow)

Our Regency Care chair is one of our staples and most popular care chairs. Great for many healthcare environments, it's packed full of features including a tilt-in-space seat, reclining backrest and a deluxe legrest.



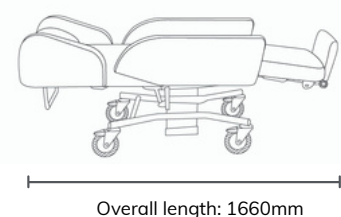
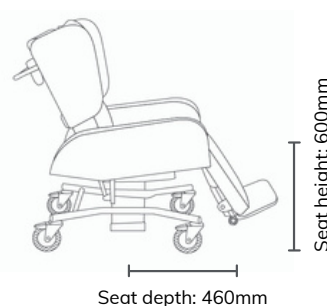
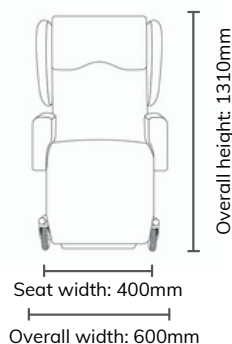
Features

- 'Tilt-in-space' seat incorporating multicush pressure management gel seating system
- Reclining backrest incorporating air cushion pressure management system
- Lay-flat position, deluxe legrest including footplate
- 2 position swing-away headwings
- 2 position fold down armrests
- 175mm tracking/braking casters
- 180kg safe working load
- 5 year limited warranty
- Available in a huge range of Healthcare grade upholstery colours
- Australian made

Options

- Oxy Bottle and IV Kit Option
- Standard Meal/Activity Tray (with PVC Edge)
- Membraned Pressed Meal/Activity Tray (Recessed Top)

Specifications



Model Options

Regency Care Chair -
Standard: **R2900D**

Regency Care Chair -
Narrow: **R2900ND**