
Yale UX Series

Electric Walkie Pallet Truck

MP20UX / 2000kg



www.yale.com.au

Yale[®] 
People. Products. Productivity.™

► Overview

MP20UX

The Yale® electric walkie pallet truck MP20UX demonstrates cutting-edge design and reliable technology to facilitate operational needs. The low-maintenance helps increase productivity and reduces operational costs.

► Standard Features

- Brushless maintenance free AC motor
- Sealed maintenance free batteries
- Small turning radius 1335mm-1405mm (width 520/550/685mm)
- Self-adjusting caster wheels
- Drive capability when tiller is upright, greatly reducing turning space
- Tiller head with max. speed limit button
- Emergency stop and belly button
- Casters to increase stability
- Exit roller
- BDI and hour meter
- Built-in charger

► Options

- External charger
- Various fork widths and lengths available



Handle (Standard)
(Left & Right Handed)

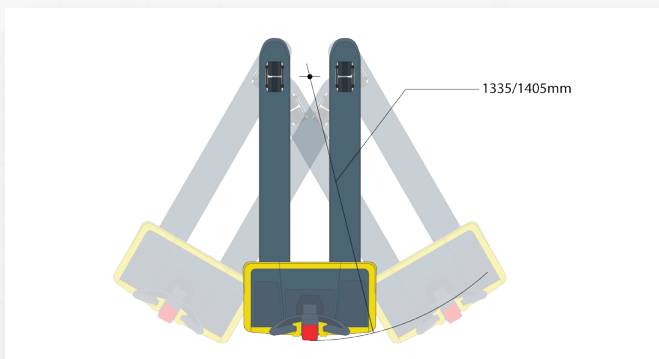


Entry Roller for
Easy Operation

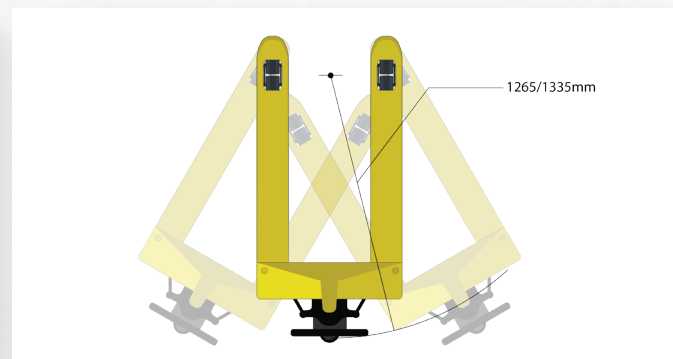
Turning Radius

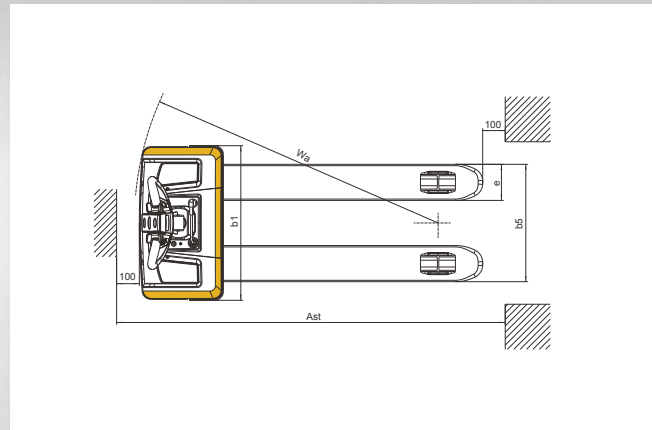
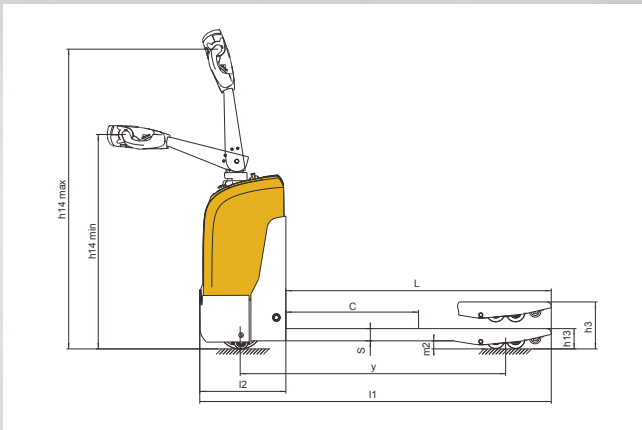
The MP20UX has a small turning radius. When switched to low speed it adapts to narrow spaces. Ideal for shipping containers and tail gate applications.

► MINI Type Pallet Truck



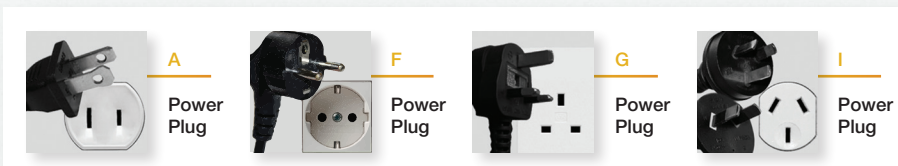
► Hand Pallet Truck





Model	Measurement	MP20UX
Load capacity	Q (kg)	2000
Load centre distance	c (mm)	600
Wheelbase	y (mm)	1130
Fork height, lowered	h13 (mm)	85/75
Tyre size, front	mm	195x70
Tyre size, rear (single)	mm	80x93/74x93
Tyre size, rear (double)	mm	80x70/74x70
Wheels number front rear (x = driven wheels)		1X-2/4
Max. lift height	h3 (mm)	190/180
Height of tiller in drive position min./max.	h14 (mm)	950/1310
Overall length	l1 (mm)	1525/1595
Length to face of forks	l2 (mm)	375
Overall width	b1 (mm)	685
Fork dimensions	s/e/l (mm)	53/160/1150 (1220)
Width overall forks	b5 (mm)	520/550/685
Aisle width for pallets 1000x1200 (1200 crossways)	Ast (mm)	1725/1795
Aisle width for pallets 800x1200 (1200 lengthways)	Ast (mm)	1775/1795
Turning radius	Wa (mm)	1335/1405
Drive motor power	kW	0.9
Lift motor power	kW	0.8
Sound level at the driver's ear according to DIN12503	dB (A)	70
Travel speed, laden/unladen	Km/h	4/4.5
Battery voltage/nominal capacity K20	V/Ah	24/105
Battery dimensions l/w/h	mm	260/169/215
Battery weight	Kg	49
Service weight (with battery)	Kg	250

▶ MP20UX Power Plug Type



Yale® Dealers



Contact your nearest
Yale® Dealership by visiting
www.yale.com.au

Contact your local Yale® Dealer

Yale Pacific

1 Bullecourt Avenue, Milperra NSW, Australia 2214
Tel: +61 (2) 9795 3800 | Fax: +61 (2) 9792 8484
yale.com/pacific/en-au

Yale Asia

16 Tuas Avenue 20, Singapore 638827
Tel: +65 6863 3387 | Fax: +65 6863 3349
yale.com/asia/en-sg

Yale, and PEOPLE. PRODUCTS. PRODUCTIVITY are trademarks of Hyster-Yale Group, Inc.
is a registered copyright of Hyster-Yale Group, Inc.

©Yale Asia Pacific 2020. All rights reserved. Specifications and details in this brochure are subject to change without prior notification.

www.yale.com.au



Manufactured in our own ISO 9001 and 14001 Registered Facilities

Trucks may be shown with optional equipment.

Yale® 
People. Products. Productivity.™

BR0000066 REV 02/20