



AutoLift AL-3000AG

Heavy duty full rise scissor hoist
3000 Kg capacity
For above ground installation

Specification

- Lifting capacity: 3000 kg
- Lifting height: 1800mm
- Minimum height: 110mm
- Lifting time: 50 sec
- Width overall: 2100mm
- Length overall: 1465-2083mm
- Rated oil pressure: 20Mpa
- Air pressure: 6-8 bar
- Power: 240V, 1Ph or 415V, 3Ph
- Gross weight: 1045 kg
- Packing Size: 1150*560*450 mm



Mechanic safety design



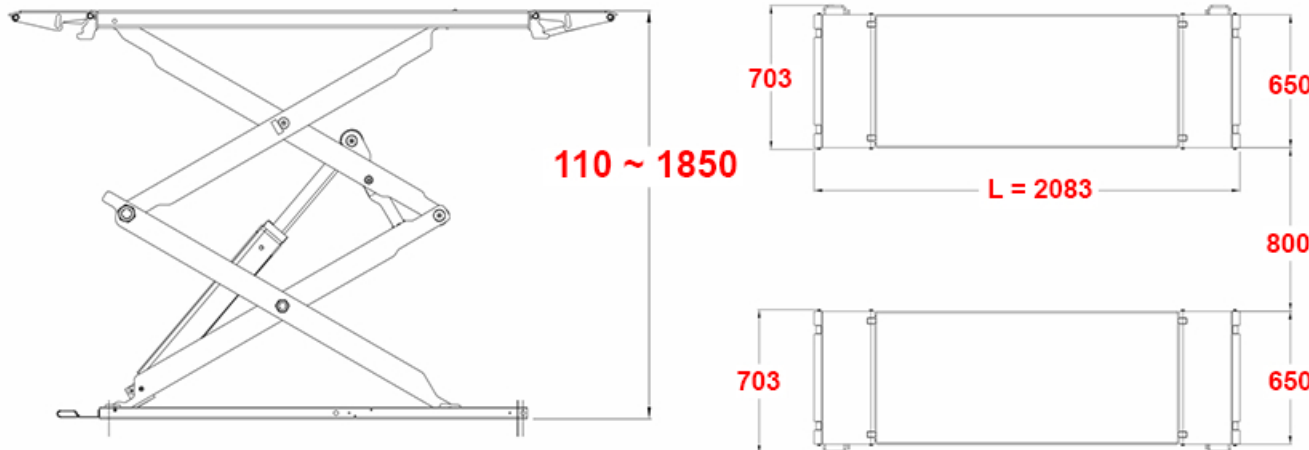
Extension platform



Limit switch



Anti-surge valve



Features

- WorkSafe Design Registered.
- Full rise, drive on, drive off scissor lift with low profile ramps.
- Extendable platform.
- 4 cylinder (2 master & 2 slave).
- Ideal for low profile vehicles, 110mm lowered height.
- Easy to install above ground installation.
- Open platform for ease of servicing.
- 24V low voltage control box.
- Perfect for tyre & brake work, vehicle inspections and general service.